



24" Pendant

ONDARIA

24" Pendant

- Homogeneous illumination with diffused wide-area lighting makes rooms appear larger and wider
- Provides up to 20% uplight component
- Includes separate switching option
- Circular design allows fully flexible positioning in the room
- High efficacy up to 95 lm/W
- Unobtrusive indirect component that brightens up the ceiling
- Easy installation without opening the luminaire
- Ideal for prestigious areas such as receptions, entrance and waiting areas as well as break-out zones, and to produce gentle ambient lighting in shops
- Available in Luminance Reducing Optic (LRO) with micro-prismatic surface – UGR < 19 suitable for workplace applications

IBEW UNION MADE

DELIVERED LUMENS ¹	COLOR TEMPERATURE	COLOR RENDERING	WATTS ¹	UGR
3580 lm – 5436 lm	3000 K	CRI 90+	39 W	< 19 LRO
	3500 K		47 W	< 22 Opal Optic
	4000 K (MacAdam 3 Step)		57 W	



Suitable for Damp Locations

Order Code

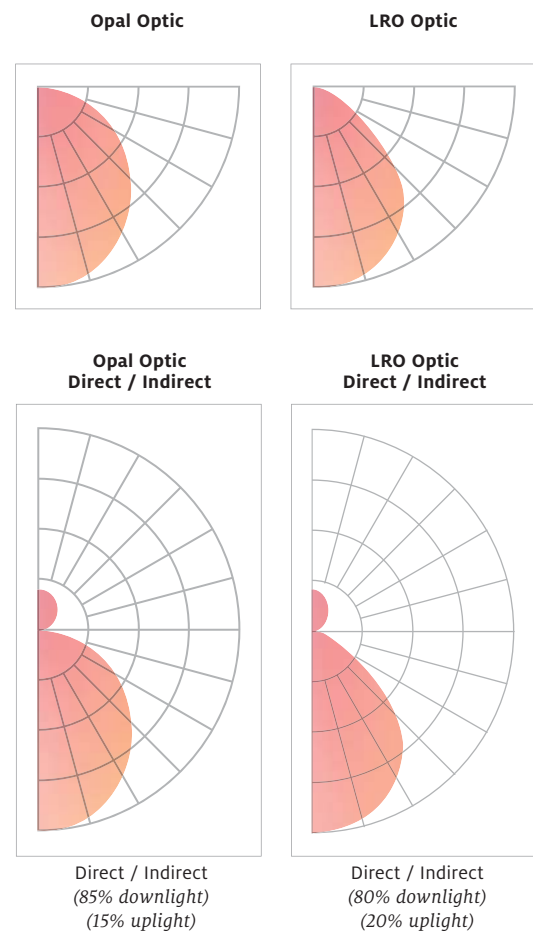
ONDA2M	2	3	4	5	6	7	8	9	10
1 FIXTURE	ONDA2M ONDARIA 24"								
2 TYPE	PS Pendant Sheetrock PG Pendant Grid								
3 MOUNTING	A 70" Cable Length B 157" Cable Length								
4 OPTIC	OL Opal Optic LR Luminance Reducing Optic ²								
5 LUMEN OUTPUT	HE High Efficiency HO High Output GO Low Glare Output ²								
6 LED MODULE	K930 3000 K, 90 CRI K935 3500 K, 90 CRI K940 4000 K, 90 CRI								
7 DISTRIBUTION	DR Direct Only DI Direct / Indirect								
8 HOUSING FINISH	WH White BK Black CC Custom ³								
9 DRIVER	DU 0-10V 120/277V DD Dali 120/277V DH Lutron 120/277V CU 0-10V 347V								
10 SWITCHING	SS Separate Switching								

¹ Delivered Lumens and Wattage specs are for Direct / Indirect Models ² Luminance Reducing Optic (LR) requires Low Glare Output (GO) ³ For Custom colors, please specify RAL #
 Note: For black and custom colors, the gear tray is always white and can be seen from above.

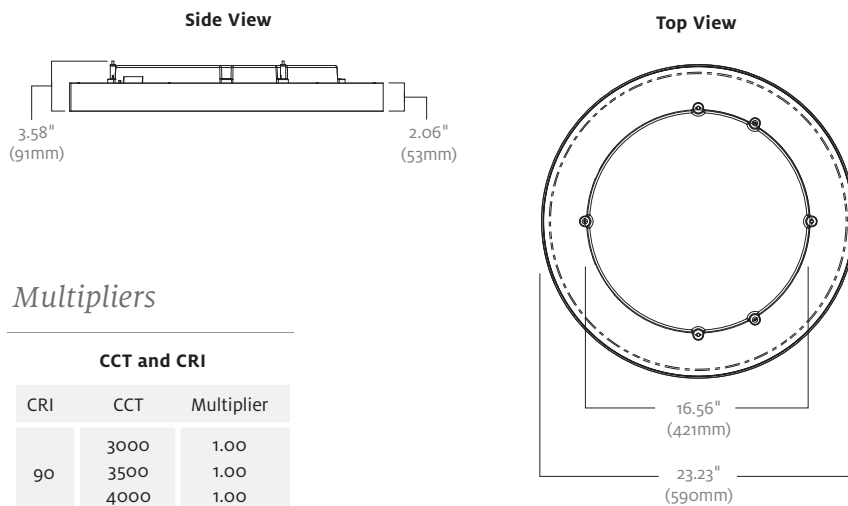
Suspension Kit Order Code

SUS	2	3	4	5	NE
1 KIT	SUS Suspension Kit				
2 MOUNTING	070 70" 157 157"				
3 SUSPENSION TYPE	P13 Single Point, Three Cables P31 Three Points, Three Cables				
4 CANOPY	J5 J-Box, 5" Round T5 T-Bar, 5" Round				
5 FEED	SF Single Feed (Standard) SS Separate Switching				
6 EM	NE No EM				

Light Distribution



Dimensions



Multipliers

CCT and CRI		
CRI	CCT	Multiplier
90	3000	1.00
	3500	1.00
	4000	1.00

Photometric Performance

		Opal Optic (HE) 935		Opal Optic (HO) 935		LRO Optic (GO) 935	
		Lumens	Watts	Lumens	Watts	Lumens	Watts
PENDANT DIR	24"	2890	32	4507	47	3100	40
	34"	6800	75	10658	107	7400	85
	45"	11180	124	17437	179	12000	150
PENDANT DIR / IND	24"	3580	39	5436	57	3870	47
	34"	7710	86	12048	123	8449	97
	45"	13890	147	21737	215	15100	177

Technical Detail

1) Construction: White enamel aluminum housing with soft outlines. Inner surface of the luminaire is painted with a high reflection finish for increased efficiency. Custom RAL colors can be specified by using the RAL # that can be found at the following website: www.ralcolor.com. For other custom color selections please consult the factory for availability.

2) Wattage and CCT: ONDARIA 24" is available in Direct or Direct/Indirect 3000 K, 3500 K, or 4000 K, with CRI 90+.

3) Optics: Uniform back-lighting of Opal Optic creates non-directional light. Luminance Reducing Optic (LRO) is available for downlight component. Indirect component provides an even distribution on the ceiling. Indirect light output for Opal Optic option and LRO option are the same.

4) Driver: ONDARIA is available with standard 120/277V 0-10V dimming driver (1%), 347V 0-10V dimming driver (1%), Lutron dimming driver (1%) or Dali dimming driver (1%).

5) Mounting: Mounting is available for Sheetrock or Grid ceiling.

6) Life: 50,000 hours rated life. L90.

7) Options: Include separate switching for the direct and indirect distribution.

8) Weight: 18lb. With Standby Battery Pack 19lb.



34" Pendant

ONDARIA

34" Pendant

- Homogeneous illumination with diffused wide-area lighting makes rooms appear larger and wider
- Provides up to 20% uplight component
- Includes separate switching option
- Circular design allows fully flexible positioning in the room
- High efficacy up to 95 lm/W
- Unobtrusive indirect component that brightens up the ceiling
- Easy installation without opening the luminaire
- Ideal for prestigious areas such as receptions, entrance and waiting areas as well as break-out zones, and to produce gentle ambient lighting in shops
- Available in Luminance Reducing Optic (LRO) with micro-prismatic surface – UGR < 19 suitable for workplace applications

IBEW UNION MADE

DELIVERED LUMENS ¹	COLOR TEMPERATURE	COLOR RENDERING	WATTS ¹	UGR
7710 lm – 12048 lm	3000 K	CRI 90+	86 W	< 19 LRO
	3500 K		97 W	< 22 Opal Optic
	4000 K (MacAdam 3 Step)		123 W	



Suitable for Damp Locations

Order Code

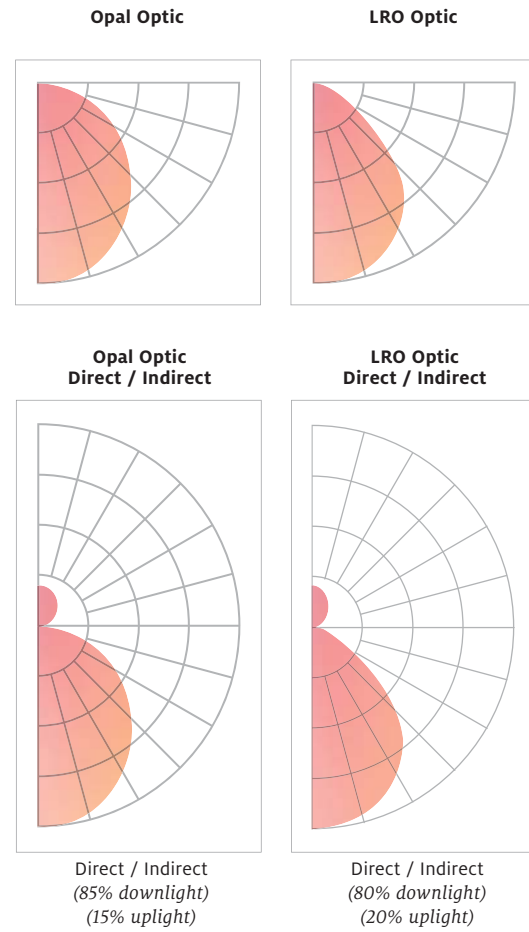
ONDA2L	2	3	4	5	6	7	8	9	10
1 FIXTURE	ONDA2L ONDARIA 34"								
2 TYPE	PS Pendant Sheetrock PG Pendant Grid								
3 MOUNTING	A 70" Cable Length B 157" Cable Length								
4 OPTIC	OL Opal Optic LR Luminance Reducing Optic ²								
5 LUMEN OUTPUT	HE High Efficiency HO High Output GO Low Glare Output ²								
6 LED MODULE	K930 3000 K, 90 CRI K935 3500 K, 90 CRI K940 4000 K, 90 CRI								
7 DISTRIBUTION	DR Direct Only DI Direct / Indirect								
8 HOUSING FINISH	WH White BK Black CC Custom ³								
9 DRIVER	DU 0-10V 120/277V DD Dali 120/277V DH Lutron 120/277V CU 0-10V 347V								
10 SWITCHING	SS Separate Switching								

1 Delivered Lumens and Wattage specs are for Direct / Indirect Models 2 Luminance Reducing Optic (LR) requires Low Glare Output (GO) 3 For Custom colors, please specify RAL #
 Note: For black and custom colors, the gear tray is always white and can be seen from above.

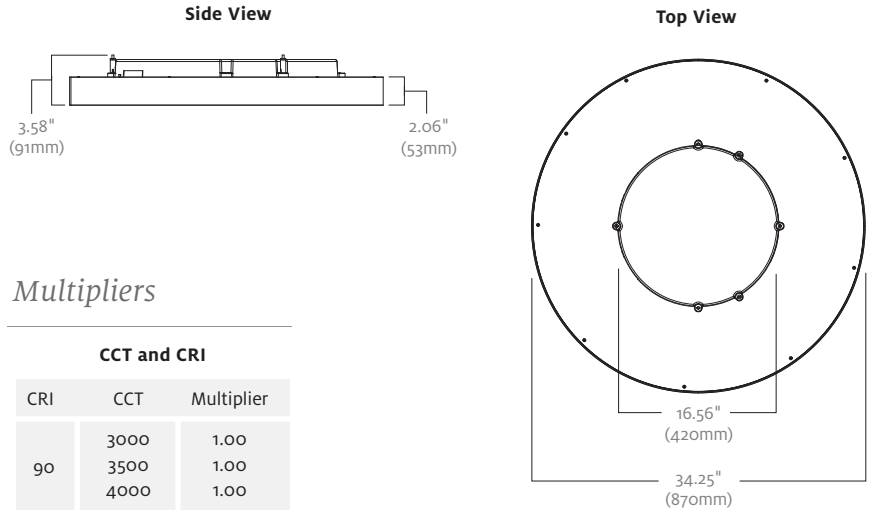
Suspension Kit Order Code

SUS	2	3	4	5	NE
1 KIT	SUS Suspension Kit				
2 MOUNTING	070 70" 157 157"				
3 SUSPENSION TYPE	P13 Single Point, Three Cables P31 Three Points, Three Cables				
4 CANOPY	J5 J-Box, 5" Round T5 T-Bar, 5" Round				
5 FEED	SF Single Feed (Standard) SS Separate Switching				
6 EM	NE No EM				

Light Distribution



Dimensions



Multipliers

CCT and CRI		
CRI	CCT	Multiplier
90	3000	1.00
	3500	1.00
	4000	1.00

Photometric Performance

		Opal Optic (HE) 935		Opal Optic (HO) 935		LRO Optic (GO) 935	
		Lumens	Watts	Lumens	Watts	Lumens	Watts
PENDANT DIR	24"	2890	32	4507	47	3100	40
	34"	6800	75	10658	107	7400	85
	45"	11180	124	17437	179	12000	150
PENDANT DIR / IND	24"	3580	39	5436	57	3870	47
	34"	7710	86	12048	123	8449	97
	45"	13890	147	21737	215	15100	177

Technical Detail

1) Construction: White enamel aluminum housing with soft outlines. Inner surface of the luminaire is painted with a high reflection finish for increased efficiency. Custom RAL colors can be specified by using the RAL # that can be found at the following website: www.ralcolor.com. For other custom color selections please consult the factory for availability.

2) Wattage and CCT: ONDARIA 34" is available in Direct or Direct/Indirect 3000 K, 3500 K, or 4000 K, with CRI 90+.

3) Optics: Uniform back-lighting of Opal Optic creates non-directional light. Luminance Reducing Optic (LRO) is available for downlight component. Indirect component provides an even distribution on the ceiling. Indirect light output for Opal Optic option and LRO option are the same.

4) Driver: ONDARIA is available with standard 120/277V 0-10V dimming driver (1%), 347V 0-10V dimming driver (1%), Lutron dimming driver (1%) or Dali dimming driver (1%).

5) Mounting: Mounting is available for Sheetrock or Grid ceiling.

6) Life: 50,000 hours rated life. L90.

7) Options: Include separate switching for the direct and indirect distribution.

8) Weight: 22lb. With Standby Battery Pack 23lb.



45" Pendant

ONDARIA

45" Pendant

- Homogeneous illumination with diffused wide-area lighting makes rooms appear larger and wider
- Provides up to 20% uplight component
- With separate switching option
- Circular design allows fully flexible positioning in the room
- High efficacy up to 95 lm/W
- Unobtrusive indirect component that brightens up the ceiling
- Easy installation without opening the luminaire
- Ideal for prestigious areas such as receptions, entrance and waiting areas as well as break-out zones, and to produce gentle ambient lighting in shops
- Available in Luminance Reducing Optic (LRO) with micro-prismatic surface – UGR < 19 suitable for workplace applications

IBEW UNION MADE

DELIVERED LUMENS ¹	COLOR TEMPERATURE	COLOR RENDERING	WATTS ¹	UGR
13890 lm – 21737 lm	3000 K	CRI 90+	147 W	< 19 LRO
	3500 K		177 W	< 22 Opal Optic
	4000 K (MacAdam 3 Step)		215 W	



Suitable for Damp Locations

Order Code

ONDA2X	2	3	4	5	6	7	8	9	10
1 FIXTURE	ONDA2X ONDARIA 45"								
2 TYPE	PS Pendant Sheetrock PG Pendant Grid								
3 MOUNTING	A 70" Cable Length B 157" Cable Length								
4 OPTIC	OL Opal Optic LR Luminance Reducing Optic ²								
5 LUMEN OUTPUT	HE High Efficiency HO High Output GO Low Glare Output ²								
6 LED MODULE	K930 3000 K, 90 CRI K935 3500 K, 90 CRI K940 4000 K, 90 CRI								
7 DISTRIBUTION	DR Direct Only DI Direct / Indirect								
8 HOUSING FINISH	WH White BK Black CC Custom ³								
9 DRIVER	DU 0-10V 120/277V DD Dali 120/277V DH Lutron 120/277V CU 0-10V 347V ⁴								
10 SWITCHING	SS Separate Switching								

¹ Delivered Lumens and Wattage specs are for Direct / Indirect Models

³ For Custom colors, please specify RAL #

² Luminance Reducing Optic (LR) requires Low Glare Output (GO)

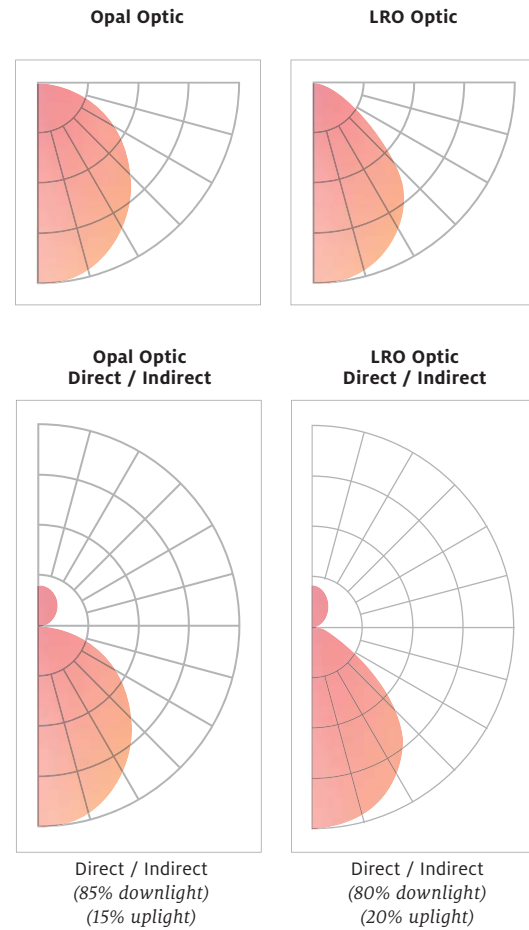
⁴ 347V driver is only available for HE output

Note: For black and custom colors, the gear tray is always white and can be seen from above.

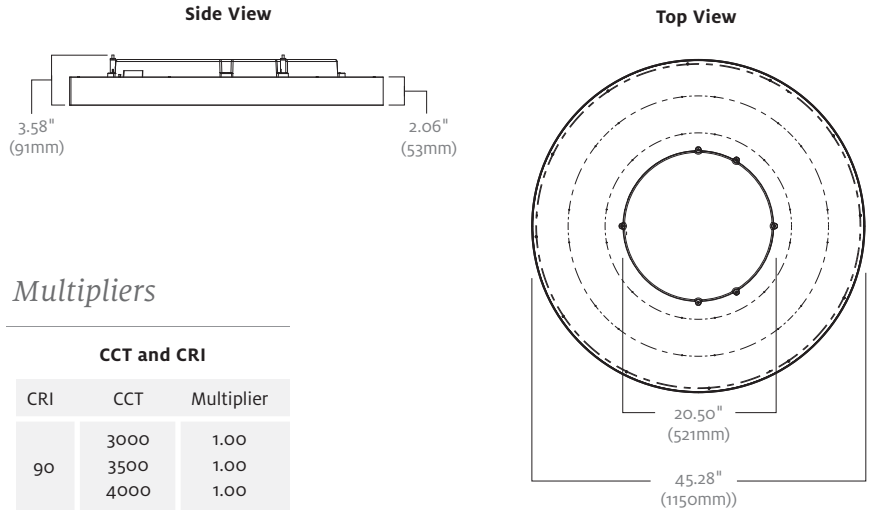
Suspension Kit Order Code

SUS	2	3	4	5	NE
1 KIT	SUS Suspension Kit				
2 MOUNTING	070 70" 157 157"				
3 SUSPENSION TYPE	P13 Single Point, Three Cables P31 Three Points, Three Cables				
4 CANOPY	J5 J-Box, 5" Round T5 T-Bar, 5" Round				
5 FEED	SF Single Feed (Standard) SS Separate Switching				
6 EM	NE No EM				

Light Distribution



Dimensions



Multipliers

CCT and CRI		
CRI	CCT	Multiplier
90	3000	1.00
	3500	1.00
	4000	1.00

Photometric Performance

		Opal Optic (HE) 935		Opal Optic (HO) 935		LRO Optic (GO) 935	
		Lumens	Watts	Lumens	Watts	Lumens	Watts
PENDANT DIR	24"	2890	32	4507	47	3100	40
	34"	6800	75	10658	107	7400	85
	45"	11180	124	17437	179	12000	150
PENDANT DIR / IND	24"	3580	39	5436	57	3870	47
	34"	7710	86	12048	123	8449	97
	45"	13890	147	21737	215	15100	177

Technical Detail

1) Construction: White enamel aluminum housing with soft outlines. Inner surface of the luminaire is painted with a high reflection finish for increased efficiency. Custom RAL colors can be specified by using the RAL # that can be found at the following website: www.ralcolor.com. For other custom color selections please consult the factory for availability.

2) Wattage and CCT: ONDARIA 45" is available in Direct or Direct/Indirect 3000 K, 3500 K, or 4000 K, with CRI 90+.

3) Optics: Uniform back-lighting of Opal Optic creates non-directional light. Luminance Reducing Optic (LRO) is available for downlight component. Indirect component provides an even distribution on the ceiling. Indirect light output for Opal Optic option and LRO option are the same.

4) Driver: ONDARIA is available with standard 120/277V 0-10V dimming driver (1%), 347V 0-10V dimming driver (1%), Lutron dimming driver (1%) or Dali dimming driver (1%).

5) Mounting: Mounting is available for Sheetrock or Grid ceiling.

6) Life: 50,000 hours rated life. L90.

7) Options: Include separate switching for the direct and indirect distribution.

8) Weight: 40lb. With Standby Battery Pack 42lb.



24" Recessed

ONDARIA

24" Recessed

- Homogeneous illumination with diffused wide-area lighting makes rooms appear larger and wider
- Circular design allows fully flexible positioning in the room
- High efficacy up to 95 lm/W
- Easy installation without opening the luminaire
- Ideal for prestigious areas such as receptions, entrance and waiting areas as well as break-out zones, and to produce gentle ambient lighting in shops
- Available in Luminance Reducing Optic (LRO) with micro-prismatic surface – UGR < 19 suitable for workplace applications

IBEW UNION MADE

DELIVERED LUMENS	COLOR TEMPERATURE	COLOR RENDERING	WATTS	UGR
2890 lm – 4507 lm	3000 K	CRI 90+	32 W	< 19 LRO
	3500 K		40 W	< 22 Opal Optic
	4000 K (MacAdam 3 Step)		47 W	



Suitable for Damp Locations

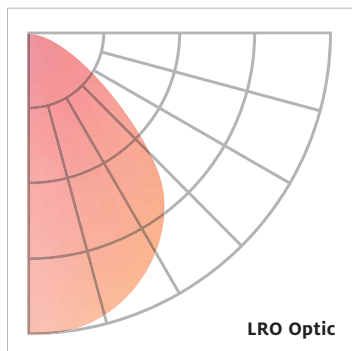
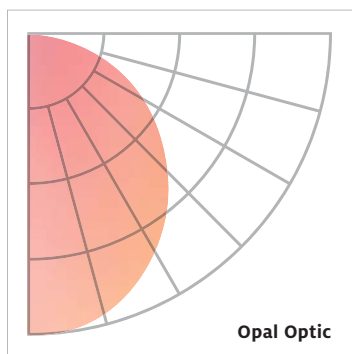
Order Code

ONDA2M	ES	3	4	5	6	DR	WH	9	10
1 FIXTURE	ONDA2M ONDARIA 24								
2 MOUNTING	ES Recessed Sheetrock								
3 MOUNTING HARDWARE	A 70" Cable Length B 157" Cable Length								
4 OPTIC	OL Opal Optic LR Luminance Reducing Optic ¹								
5 LUMEN OUTPUT	HE High Efficiency HO High Output GO Low Glare Output ¹								
6 LED MODULE	K930 3000 K, 90 CRI K935 3500 K, 90 CRI K940 4000 K, 90 CRI								
7 DISTRIBUTION	DR Direct Only								
8 HOUSING FINISH	WH White BK Black CC Custom ²								
9 DRIVER	DU 0-10V 120/277V DD Dali 120/277V DH Lutron 120/277V CU 0-10V 347V								
10 OPTIONS	EM Standby Battery								

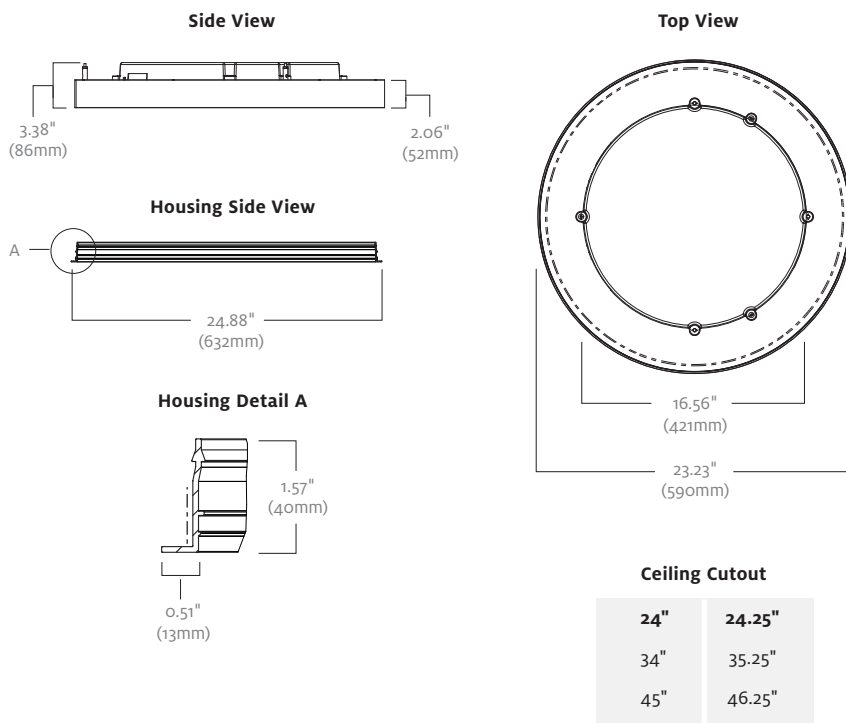
¹ Luminance Reducing Optic (LR) requires Low Glare Output (GO)

² For Custom colors, please specify RAL #

Light Distribution



Dimensions



Photometric Performance

		Opal Optic (HE) 935		Opal Optic (HO) 935		LRO Optic (GO) 935	
		Lumens	Watts	Lumens	Watts	Lumens	Watts
RECESSED	24"	2890	32	4507	47	3000	40
	34"	6800	75	10658	107	7200	85
	45"	11180	124	17437	179	11800	150

Multipliers

CCT and CRI		
CRI	CCT	Multiplier
90	3000	1.00
	3500	1.00
	4000	1.00

Technical Detail

1) Construction: White enamel aluminum housing with soft outlines. Inner surface of the luminaire is painted with a high reflection finish for increased efficiency.

2) Wattage and CCT: ONDARIA 24" is available in Direct 3000 K, 3500 K, or 4000 K, with CRI 90+.

3) Optics: Uniform backlighting of Opal Optic creates non-directional light. Luminance Reducing Optic (LRO) is also available.

4) Driver: ONDARIA is available with standard 120/277V 0-10V dimming driver (1%), 347V 0-10V dimming driver (1%), Lutron dimming driver (1%) or Dali dimming driver (1%).

5) Mounting: Mounting is available for Sheetrock only.

6) Life: 50,000 hours rated life. L90.

7) Options: Standby Battery Pack (EM).

8) Weight: 18lb. With Standby Battery Pack 19lb.



34" Recessed

ONDARIA

34" Recessed

- Homogeneous illumination with diffused wide-area lighting makes rooms appear larger and wider
- Circular design allows fully flexible positioning in the room
- High efficacy up to 95 lm/W
- Easy installation without opening the luminaire
- Ideal for prestigious areas such as receptions, entrance and waiting areas as well as break-out zones, and to produce gentle ambient lighting in shops
- Available in Luminance Reducing Optic (LRO) with micro-prismatic surface – UGR < 19 suitable for workplace applications

IBEW UNION MADE

DELIVERED LUMENS	COLOR TEMPERATURE	COLOR RENDERING	WATTS	UGR
6400 lm – 10600 lm	3000 K	CRI 90+	75 W	< 19 LRO
	3500 K		85 W	< 22 Opal Optic
	4000 K (MacAdam 3 Step)		107 W	



Suitable for Damp Locations

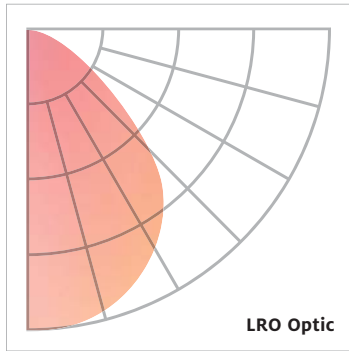
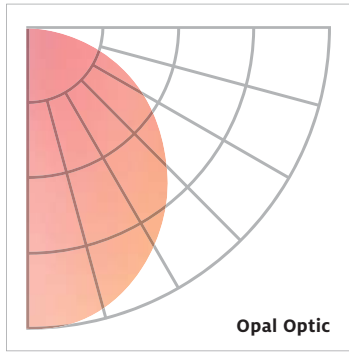
Order Code

ONDA2L	ES	X	4	5	6	DR	WH	9	10
1 FIXTURE	ONDA2L ONDARIA 34"								
2 MOUNTING	ES Recessed Sheetrock								
3 MOUNTING HARDWARE	A 70" Cable Length B 157" Cable Length								
4 OPTIC	OL Opal Optic LR Luminance Reducing Optic ¹								
5 LUMEN OUTPUT	HE High Efficiency HO High Output GO Low Glare Output ¹								
6 LED MODULE	K930 3000 K, 90 CRI K935 3500 K, 90 CRI K940 4000 K, 90 CRI								
7 DISTRIBUTION	DR Direct Only								
8 HOUSING FINISH	WH White BK Black CC Custom ²								
9 DRIVER	DU 0-10V 120/277V DD Dali 120/277V DH Lutron 120/277V CU 0-10V 347V								
10 OPTIONS	EM Standby Battery								

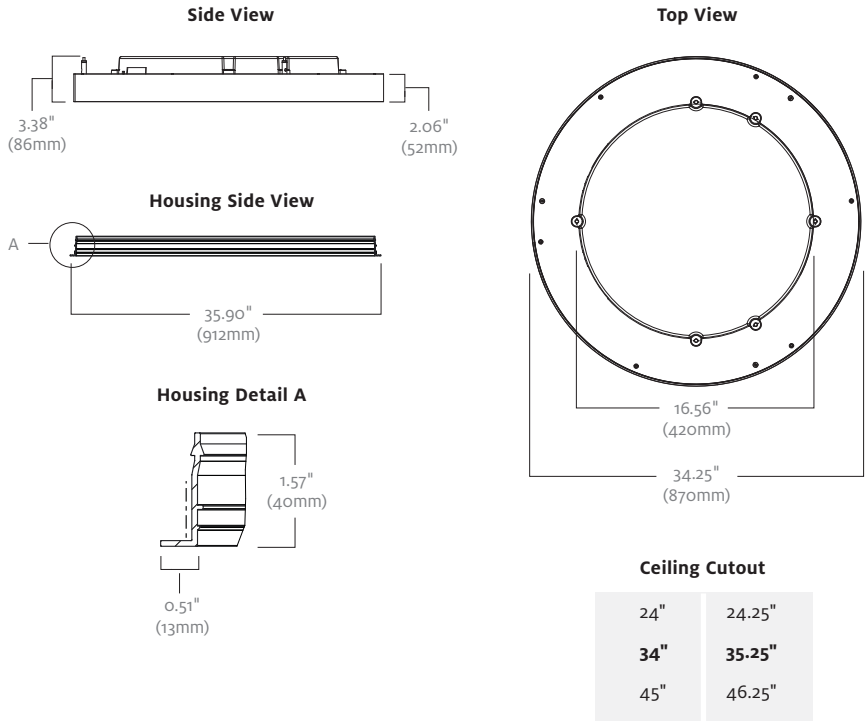
¹ Luminance Reducing Optic (LR) requires Low Glare Output (GO)

² For Custom colors, please specify RAL #

Light Distribution



Dimensions



Photometric Performance

		Opal Optic (HE) 935		Opal Optic (HO) 935		LRO Optic (GO) 935	
		Lumens	Watts	Lumens	Watts	Lumens	Watts
RECESSED	24"	2890	32	4507	47	3000	40
	34"	6800	75	10658	107	7200	85
	45"	11180	124	17437	179	11800	150

Multipliers

CCT and CRI		
CRI	CCT	Multiplier
90	3000	1.00
	3500	1.00
	4000	1.00

Technical Detail

1) Construction: White enamel aluminum housing with soft outlines. Inner surface of the luminaire is painted with a high reflection finish for increased efficiency.

2) Wattage and CCT: ONDARIA 34" is available in Direct 3000 K, 3500 K, or 4000 K, with CRI 90+.

3) Optics: Uniform backlighting of Opal Optic creates non-directional light. Luminance Reducing Optic (LRO) is also available.

4) Driver: ONDARIA is available with standard 120/277V 0-10V dimming driver (1%), 347V 0-10V dimming driver (1%), Lutron dimming driver (1%) or Dali dimming driver (1%).

5) Mounting: Mounting is available for Sheetrock only.

6) Life: 50,000 hours rated life. L90.

7) Options: Standby Battery Pack (EM) 10w, 900 lumens illuminates for 90 minutes. EM is

supplied remote from the fixture and is ONLY available for surface and recessed mount in accessible ceilings.

8) Weight: 22lb. With Standby Battery Pack 23lb.



45" Recessed

ONDARIA

45" Recessed

- Homogeneous illumination with diffused wide-area lighting makes rooms appear larger and wider
- Circular design allows fully flexible positioning in the room
- High efficacy up to 95 lm/W
- Easy installation without opening the luminaire
- Ideal for prestigious areas such as receptions, entrance and waiting areas as well as break-out zones, and to produce gentle ambient lighting in shops
- Available in Luminance Reducing Optic (LRO) with micro-prismatic surface – UGR < 19 suitable for workplace applications

IBEW UNION MADE

DELIVERED LUMENS	COLOR TEMPERATURE	COLOR RENDERING	WATTS	UGR
11200 lm – 17400 lm	3000 K	CRI 90+	125 W	< 19 LRO
	3500 K		144 W	< 22 Opal Optic
	4000 K (MacAdam 3 Step)		179 W	



Suitable for Damp Locations

Order Code

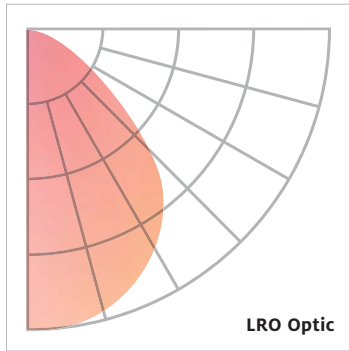
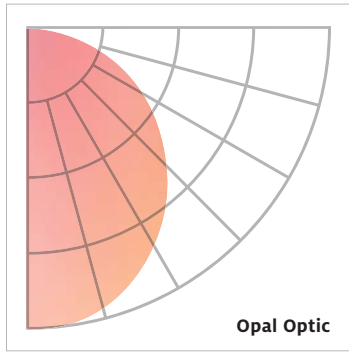
	ONDA2X	ES	X	4	5	6	DR	WH	9	10	
1	FIXTURE	ONDA2X ONDARIA 45"									
2	MOUNTING	ES Recessed Sheetrock									
3	MOUNTING HARDWARE	A 70" Cable Length B 157" Cable Length									
4	OPTIC	OL Opal Optic LR Luminance Reducing Optic ¹									
5	LUMEN OUTPUT	HE High Efficiency HO High Output GO Low Glare Output ¹									
6	LED MODULE	K930 3000 K, 90 CRI K935 3500 K, 90 CRI K940 4000 K, 90 CRI									
7	DISTRIBUTION	DR Direct Only									
8	HOUSING FINISH	WH White BK Black CC Custom ²									
9	DRIVER	DU 0-10V 120/277V DD DALI 120/277V DH Lutron 120/277V CU 0-10V 347V ³									
10	OPTIONS	EM Standby Battery									

¹ Luminance Reducing Optic (LR) requires Low Glare Output (GO)

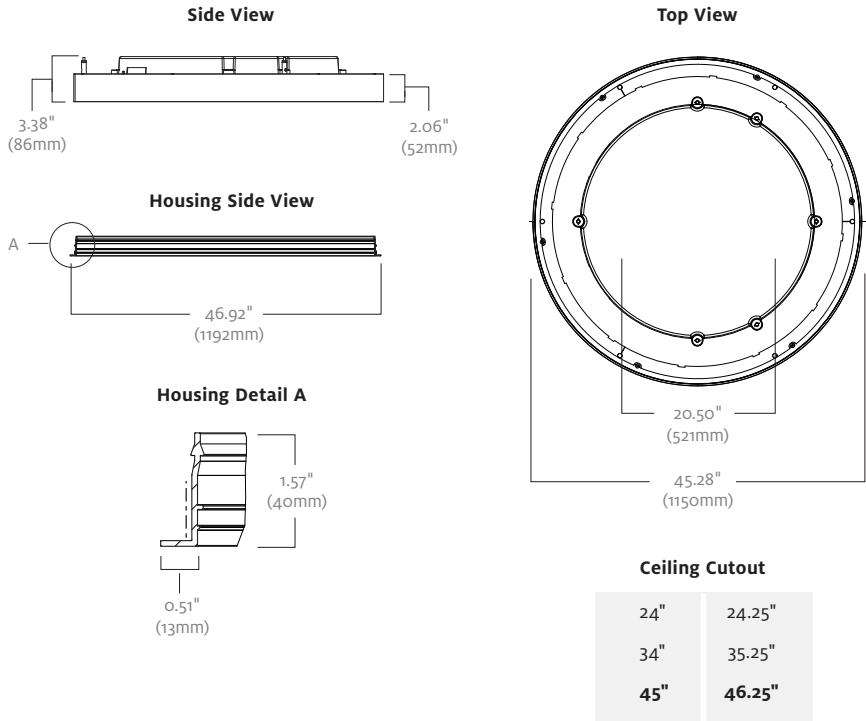
² For Custom colors, please specify RAL #

³ 347V driver is only available for HE output

Light Distribution



Dimensions



Photometric Performance

		Opal Optic (HE) 935		Opal Optic (HO) 935		LRO Optic (GO) 935	
		Lumens	Watts	Lumens	Watts	Lumens	Watts
RECESSED	24"	2890	32	4507	47	3000	40
	34"	6800	75	10658	107	7200	85
	45"	11180	124	17437	179	11800	150

Multipliers

CCT and CRI		
CRI	CCT	Multiplier
90	3000	1.00
	3500	1.00
	4000	1.00

Technical Detail

1) Construction: White enamel aluminum housing with soft outlines. Inner surface of the luminaire is painted with a high reflection finish for increased efficiency.

2) Wattage and CCT: ONDARIA 45" is available in Direct 3000 K, 3500 K, or 4000 K, with CRI 90+.

3) Optics: Uniform backlighting of Opal Optic creates non-directional light. Luminance Reducing Optic (LRO) is also available.

4) Driver: ONDARIA is available with standard 120/277V 0-10V dimming driver (1%), 347V 0-10V dimming driver (1%), Lutron dimming driver (1%) or Dali dimming driver (1%).

5) Mounting: Mounting is available for Sheetrock only.

6) Life: 50,000 hours rated life. L90.

7) Options: Standby Battery Pack (EM) 10w, 900 lumens illuminates for 90 minutes. EM is

supplied remote from the fixture and is ONLY available for surface and recessed mount in accessible ceilings.

8) Weight: 40lb. With Standby Battery Pack 42lb.



24" Surface Mount

ONDARIA

24" Surface Mount

- Homogeneous illumination with diffused wide-area lighting makes rooms appear larger and wider
- Circular design allows fully flexible positioning in the room
- 2% uplight component to create a subtle halo effect around the fixture
- High efficacy up to 95 lm/W
- Ideal for prestigious areas such as receptions, entrance and waiting areas as well as break-out zones, and to produce gentle ambient lighting in shops
- Available in Luminance Reducing Optic (LRO) with micro-prismatic surface – UGR < 19 suitable for workplace applications

IBEW UNION MADE

DELIVERED LUMENS	COLOR TEMPERATURE	COLOR RENDERING	WATTS	UGR
2890 lm – 4507 lm	3000 K	CRI 90+	32 W	< 19 LRO
	3500 K		40 W	< 22 Opal Optic
	4000 K (MacAdam 3 Step)		47 W	



Suitable for Damp Locations

Order Code

ONDA2M	2	X	4	5	6	DR	8	9	10
1 FIXTURE	ONDA2M ONDARIA 24"								
2 MOUNTING	AS Surface Sheetrock AG Surface Grid								
3 SUSPENSION	X None								
4 OPTIC	OL Opal Optic LR Luminance Reducing Optic ¹								
5 LUMEN OUTPUT	HE High Efficiency HO High Output GO Low Glare Output ¹								
6 LED MODULE	K930 3000 K, 90 CRI K935 3500 K, 90 CRI K940 4000 K, 90 CRI								
7 DISTRIBUTION	DR Direct Only								
8 HOUSING FINISH	WH White BK Black CC Custom ²								
9 DRIVER	DU 0-10V 120/277V DD Dali 120/277V DH Lutron 120/277V CU 0-10V 347V								
10 OPTIONS	EM Standby Battery								

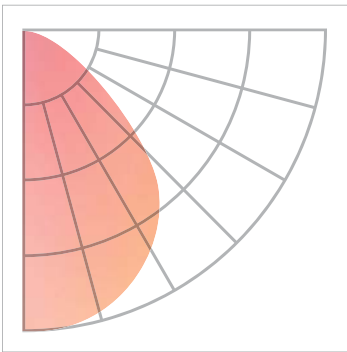
- 1 Luminance Reducing Optic (LR) requires Low Glare Output (GO)
- 2 For Custom Colors, please specify RAL #

Light Distribution

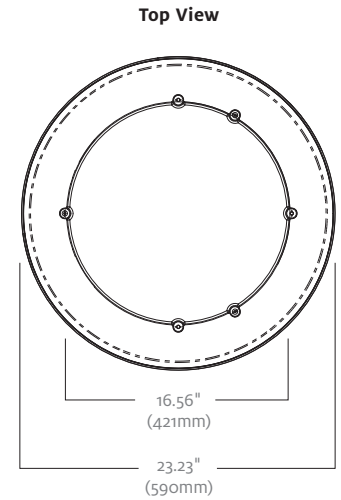
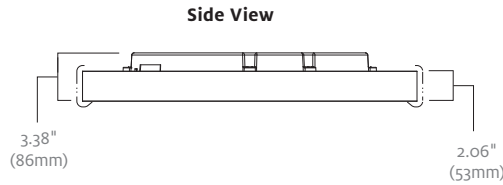
Opal Optic



LRO Optic



Dimensions



Multipliers

CCT and CRI

CRI	CCT	Multiplier
90	3000	1.00
	3500	1.00
	4000	1.00

Photometric Performance

		Opal Optic (HE) 935		Opal Optic (HO) 935		LRO Optic (GO) 935	
		Lumens	Watts	Lumens	Watts	Lumens	Watts
RECESSED	24"	2890	32	4507	47	3000	40
	34"	6800	75	10658	107	7200	85
	45"	11180	124	17437	179	11800	150

Technical Detail

1) Construction: White enamel aluminum housing with soft outlines. Inner surface of the luminaire is painted with a high reflection finish for increased efficiency. Custom RAL colors can be specified by using the RAL # that can be found at the following website: www.ralcolor.com. For other custom color selections please consult the factory for availability.

2) Wattage and CCT: ONDARIA 24" is available in Direct 3000 K, 3500 K, or 4000 K, with CRI 90+.

3) Optics: Uniform backlighting of Opal Optic creates non-directional light. Luminance Reducing Optic (LRO) also available.

4) Driver: ONDARIA is available with standard 120/277V 0-10V dimming driver (1%), 347V 0-10V dimming driver (1%), Lutron dimming driver (1%) or Dali dimming driver (1%).

5) Mounting: Mounting is available for Sheetrock or Grid ceiling. The unit may also be wall mounted with the opal optic. The

Luminance Reducing Optic (LRO) optic may not be wall mounted.

6) Life: 50,000 hours rated life. L90.

7) Options: Standby Battery Pack (EM) 10w, 900 lumens illuminates for 90 minutes. EM is supplied remote from the fixture and is ONLY available for surface and recessed mount in accessible ceilings.

8) Weight: 18lb. With Standby Battery Pack 19lb.



34" Surface Mount

ONDARIA

34" Surface Mount

- Homogeneous illumination with diffused wide-area lighting makes rooms appear larger and wider
- Circular design allows fully flexible positioning in the room
- 2% uplight component to create a subtle halo effect around the fixture
- High efficacy up to 95 lm/W
- Ideal for prestigious areas such as receptions, entrance and waiting areas as well as break-out zones, and to produce gentle ambient lighting in shops
- Available in Luminance Reducing Optic (LRO) with micro-prismatic surface – UGR < 19 suitable for workplace applications

IBEW UNION MADE

DELIVERED LUMENS	COLOR TEMPERATURE	COLOR RENDERING	WATTS	UGR
6800 lm – 10658 lm	3000 K	CRI 90+	75 W	< 19 LRO
	3500 K		85 W	< 22 Opal Optic
	4000 K (MacAdam 3 Step)		107 W	



Suitable for Damp Locations

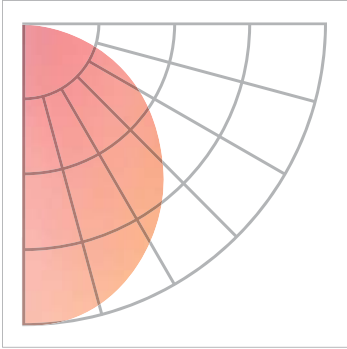
Order Code

ONDA2L	2	X	4	5	6	DR	8	9	10	
1 FIXTURE	ONDA2L ONDARIA 34"									
2 MOUNTING	AS Surface Sheetrock AG Surface Grid									
3 SUSPENSION	X None									
4 OPTIC	OL Opal Optic LR Luminance Reducing Optic ¹									
5 LUMEN OUTPUT	HE High Efficiency HO High Output GO Low Glare Output ¹									
6 LED MODULE	K930 3000 K, 90 CRI K935 3500 K, 90 CRI K940 4000 K, 90 CRI									
7 DISTRIBUTION	DR Direct Only									
8 HOUSING FINISH	WH White BK Black CC Custom ²									
9 DRIVER	DU 0-10V 120/277V DD Dali 120/277V DH Lutron 120/277V CU 0-10V 347V									
10 OPTIONS	EM Standby Battery									

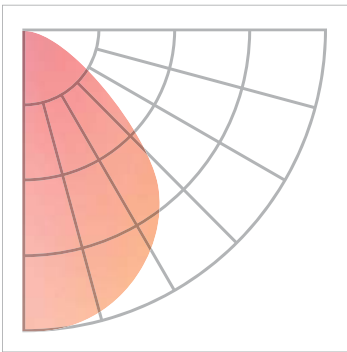
1 Luminance Reducing Optic (LR) requires Low Glare Output (GO)
 2 For Custom Colors, please specify RAL #

Light Distribution

Opal Optic

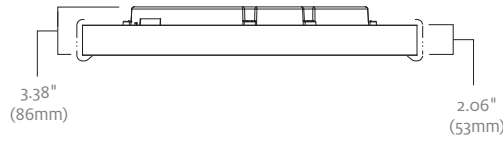


LRO Optic

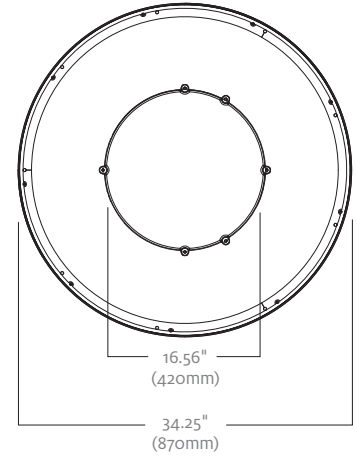


Dimensions

Side View



Top View



Multipliers

CCT and CRI

CRI	CCT	Multiplier
90	3000	1.00
	3500	1.00
	4000	1.00

Photometric Performance

		Opal Optic (HE) 935		Opal Optic (HO) 935		LRO Optic (GO) 935	
		Lumens	Watts	Lumens	Watts	Lumens	Watts
RECESSED	24"	2890	32	4507	47	3000	40
	34"	6800	75	10658	107	7200	85
	45"	11180	124	17437	179	11800	150

Technical Detail

1) Construction: White enamel aluminum housing with soft outlines. Inner surface of the luminaire is painted with a high reflection finish for increased efficiency. Custom RAL colors can be specified by using the RAL # that can be found at the following website: www.ralcolor.com. For other custom color selections please consult the factory for availability.

2) Wattage and CCT: ONDARIA 34" is available in Direct 3000 K, 3500 K, or 4000 K, with CRI 90+.

3) Optics: Uniform backlighting of Opal Optic creates non-directional light. Luminance Reducing Optic (LRO) also available.

4) Driver: ONDARIA is available with standard 120/277V 0-10V dimming driver (1%), 347V 0-10V dimming driver (1%), Lutron dimming driver (1%) or Dali dimming driver (1%).

5) Mounting: Mounting is available for Sheetrock or Grid ceiling. The unit may also be wall mounted with the opal optic. The

Luminance Reducing Optic (LRO) optic may not be wall mounted.

6) Life: 50,000 hours rated life. L90.

7) Options: Standby Battery Pack (EM) 10w, 900 lumens illuminates for 90 minutes. EM is supplied remote from the fixture and is ONLY available for surface and recessed mount in accessible ceilings.

8) Weight: 22lb. With Standby Battery Pack 23lb.



45" Surface Mount

ONDARIA

45" Surface Mount

- Homogeneous illumination with diffused wide-area lighting makes rooms appear larger and wider
- Circular design allows fully flexible positioning in the room
- 2% uplight component to create a subtle halo effect around the fixture
- High efficacy up to 95 lm/W
- Ideal for prestigious areas such as receptions, entrance and waiting areas as well as break-out zones, and to produce gentle ambient lighting in shops
- Available in Luminance Reducing Optic (LRO) with micro-prismatic surface – UGR < 19 suitable for workplace applications

IBEW UNION MADE

DELIVERED LUMENS	COLOR TEMPERATURE	COLOR RENDERING	WATTS	UGR
11180 lm – 17437 lm	3000 K	CRI 90+	124 W	< 19 LRO
	3500 K		150 W	< 22 Opal Optic
	4000 K (MacAdam 3 Step)		179 W	



Suitable for Damp Locations

Order Code

ONDA2X	2	X	4	5	6	DR	8	9	10
1 FIXTURE	ONDA2X ONDARIA 45"								
2 MOUNTING	AS Surface Sheetrock AG Surface Grid								
3 SUSPENSION	X None								
4 OPTIC	OL Opal Optic LR Luminance Reducing Optic ¹								
5 LUMEN OUTPUT	HE High Efficiency HO High Output GO Low Glare Output ¹								
6 LED MODULE	K930 3000 K, 90 CRI K935 3000 K, 90 CRI K940 4000 K, 90 CRI								
7 DISTRIBUTION	DR Direct Only								
8 HOUSING FINISH	WH White BK Black CC Custom ²								
9 DRIVER	DU 0-10V 120/277V DD Dali 120/277V DH Lutron 120/277V CU 0-10V 347V ³								
10 OPTIONS	EM Standby Battery								

- 1 Luminance Reducing Optic (LR) requires Low Glare Output (GO)
- 2 For Custom Colors, please specify RAL #
- 3 347V driver is only available for HE output

Light Distribution

Opal Optic

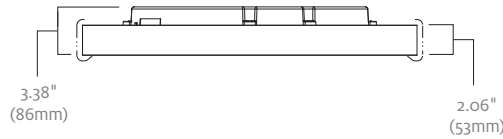


LRO Optic

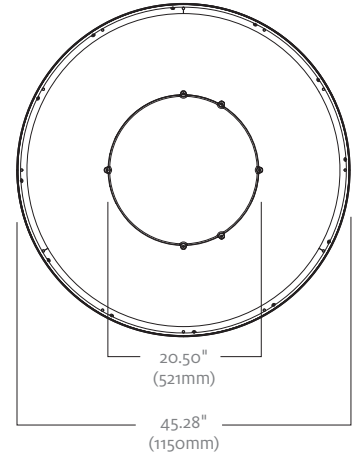


Dimensions

Side View



Top View



Multipliers

CCT and CRI

CRI	CCT	Multiplier
90	3000	1.00
	3500	1.00
	4000	1.00

Photometric Performance

		Opal Optic (HE) 935		Opal Optic (HO) 935		LRO Optic (GO) 935	
		Lumens	Watts	Lumens	Watts	Lumens	Watts
RECESSED	24"	2890	32	4507	47	3000	40
	34"	6800	75	10658	107	7200	85
	45"	11180	124	17437	179	11800	150

Technical Detail

1) Construction: White enamel aluminum housing with soft outlines. Inner surface of the luminaire is painted with a high reflection finish for increased efficiency. Custom RAL colors can be specified by using the RAL # that can be found at the following website: www.ralcolor.com. For other custom color selections please consult the factory for availability.

2) Wattage and CCT: ONDARIA 45" is available in Direct 3000 K, 3500 K, or 4000 K, with CRI 90+.

3) Optics: Uniform backlighting of Opal Optic creates non-directional light. Luminance Reducing Optic (LRO) also available.

4) Driver: ONDARIA is available with standard 120/277V 0-10V dimming driver (1%), 347V 0-10V dimming driver (1%), Lutron dimming driver (1%) or Dali dimming driver (1%).

5) Mounting: Mounting is available for Sheetrock or Grid ceiling. 45" surface mount unit cannot be mounted on the wall.

6) Life: 50,000 hours rated life. L90.

7) Options: Standby Battery Pack (EM) 10w, 900 lumens illuminates for 90 minutes. EM is supplied remote from the fixture and is ONLY available for surface and recessed mount in accessible ceilings.

8) Weight: 40lb. With Standby Battery Pack 42lb.