



Pendant

## CLARIS Evo

Individual and Straight Runs

- Four by six color combinations
- Choice of louver finishes for different visual tasks
- UGR < 16
- Soft edge prismatic (SEP) with gentle rounded micro-prisms for reduced luminance levels at all viewing angles
- Wireless dimming via Bluetooth
- Efficacy up to 129 lm/W



DELIVERED LUMENS	COLOR TEMPERATURE	COLOR RENDERING	WATTS	UGR
1100 lm/ft	3000 K 3500 K 4000 K (MacAdam 3 Step)	CRI 80+	8.5 W/ft	< 16

### Individual Fixture Order Code

1	2	3	8	5	6	7	U	9	10	11	12	13
1 FIXTURE	<b>CEVI</b> Individual   <b>CEVR</b> Run											
2 LENGTH	<b>004</b> 4 Foot   <b>008</b> 8 Foot   <b>XXX</b> Run Length <sup>1</sup>											
3 MOUNTING	<b>PA</b> 70" Cable   <b>PB</b> 157" Cable											
4 CRI	<b>8</b> 80 CRI											
5 CCT	<b>30</b> 3000 K   <b>35</b> 3500 K   <b>40</b> 4000 K											
6 REFLECTOR FINISH	<b>WM</b> White Matte   <b>WG</b> White Gloss   <b>BM</b> Black Matte   <b>BG</b> Black Gloss   <b>SM</b> Silver Matte   <b>SG</b> Silver Gloss											
7 HOUSING FINISH	<b>WH</b> White   <b>BK</b> Black   <b>TN</b> Titan   <b>BZ</b> Bronze											
8 DRIVER	<b>U</b> 0-10V, 1%, 120V/277V											
9 CONTROL OPTIONS	<b>N</b> None   <b>W</b> Wireless											
10 REMOTE EM OPTIONS*	<b>EMT</b> Remote Emergency Pack, T-Grid Ceiling   <b>EMF</b> Remote Emergency Pack, Inaccessible Ceiling   <b>EMC</b> Emergency Circuit											
11 EM START	<b>1</b> EM Start   <b>0</b> None											
12 EM MID	<b>X</b> Quantity (from 1-9)   <b>0</b> None											
13 EM END	<b>1</b> EM End   <b>0</b> None											

<sup>1</sup> Specified run lengths must be divisible by 4

\* Continue with part code if emergency options are required. For EM requirements and placements on the runs, please consult factory.

### Suspension Kit Order

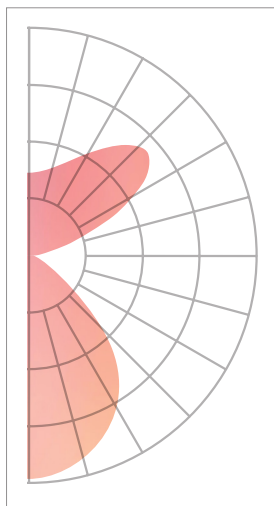
SUS	2	P11	4	5
1 KIT	<b>SUS</b> Suspension Kit			
2 MOUNTING	<b>070</b> 70" Cable, Pendant   <b>157</b> 157" Cable, Pendant			
3 SUSPENSION TYPE	<b>P11</b> Single Point, One Cable			
4 CANOPY	<b>J5</b> J-Box, 5" Round   <b>T5</b> 157" T-Bar, 5" Round   <b>S2</b> 1/4-20 2" Flat Canopy <sup>1</sup>   <b>S5</b> 1/4-2- 5" Flat Canopy			
5 FEED	<b>NF</b> No Feed <sup>2</sup>   <b>SF</b> Single Feed <sup>3</sup>			

<sup>1</sup> Available with No Feed (used for non-power Feed) option only

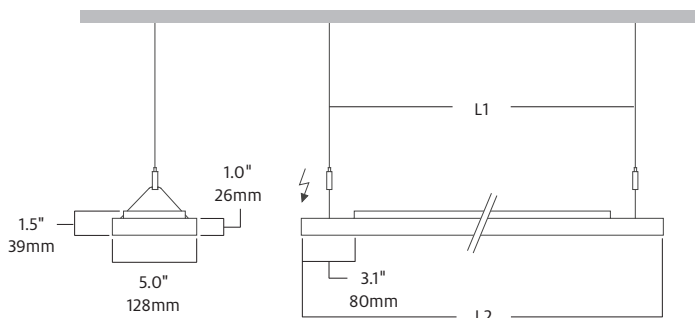
<sup>2</sup> Use for non-power feed option only

<sup>3</sup> Use for power feed option only

## Optical Performance



## Dimensions



<b>L1</b>	47.0" (1195mm)	94.3" (2395mm)
<b>L2</b>	50.4" (1280mm)	97.6" (2480mm)

— Average Luminance cd/m<sup>2</sup> —

Vertical Angle	Horizontal Angle 0°
0	13450
45	8105
55	4345
65	2049
75	730
85	786

## Technical Detail

**1) Construction:** luminaire housing of extruded aluminum section, powder coated with visible side height of 1", concealed screw-fastened diecast aluminum end pieces. Rear cover made of sheet steel, powder-coated white for maximum efficiency. Luminaire wired with halogen-free leads. Closed optical system with protective covers on LED modules to prevent damage from electrostatic discharge.

**2) Wattage and CCT:** Fixture is available with lumen packages of 1100 lm/ft. Wattage is 8.5W/ft. Available in 3000 K, 3500 K OR 4000 K color temperatures with 80+ CRI. 3-Step MacAdam Ellipse.

**3) Dimming:** The unit is available with standard 120/277V 0-10V dimming driver (1%). For non-dimming applications a 0-10V driver will

be provided, cap off the two control wires and connect the hot/neutral and ground as normal.

**4) Optic/Lens:** Light control and glare reduction of the direct light component via light chamber system with prismatic light emission surface in various finishes. Wide light distribution of the indirect component via an extruded lens profile for homogeneous resolving of light points (from a suspension height of 12") on the ceiling.

**5) Mounting:** External suspension points, adjustable to plus/minus 1".

**6) Length:** The fixture can be ordered in exact length in increments of 4' and 8' or continuous run lengths, with a total length divisible by 4'.

**7) Emergency Battery Pack:** Remote emergency battery packs are available for both T-Grid and Inaccessible ceiling types. Each pack will power a 4' section of a fixture, on an 8' individual fixture the EM can be placed at either the start or end of the luminaire.

**8) Controls:** Fixture is available with integral wireless controls.

**9) Life:** 50,000 hours, L90 @25C.

**10) Weight:** 7.71 lbs 4 ft fixture and 16.3 lbs 8 ft fixture.