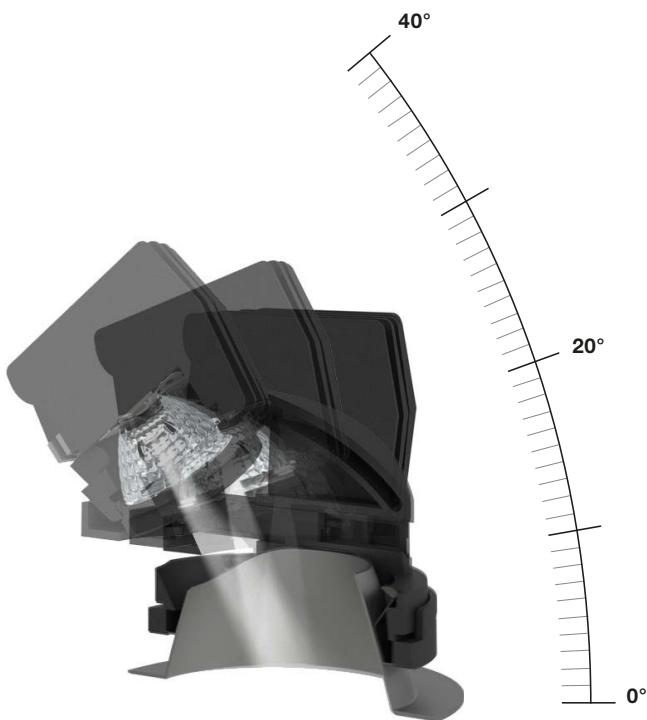




BASYS LED II

BASYS LED II is the next generation of the Zumtobel downlight and wallwasher series. Available with a broad range of options in 2.75", 4" and 6" apertures to meet the versatility and the demands of architectural lighting environments. Consisting of square and round recessed downlights and wallwashers, the product family provides efficient, flexible and precise illumination. One of the groundbreaking highlights in the BASYS LED II range is the adjustable version with the patented tiltShift technology.



**Adjustable with patented
tiltShift technology**

While the luminaire can be tilted between 0° to 40°, it simultaneously shifts dependent on the angle so that the beam remains in the center of the aperture and will not be cut off by the reflector. Even if the angle of the beam changes, the luminous flux and the light quality, as well as appearance, remains constant. Additionally, BASYS LED II with tiltShift technology allows for rotation up to 360°. The combination of these features enhances the light quality and provides superior adaptability in the build environment.



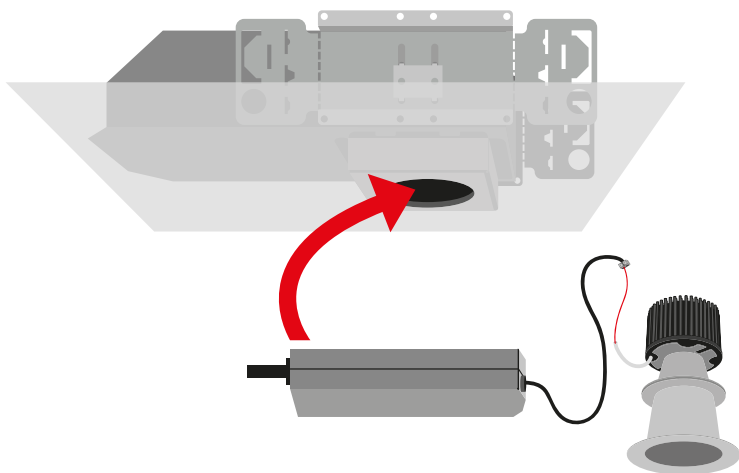
Optimized passive cooling
to enhance efficiency and LED lifetime

High-performance LED chip
with best-in-class CRI and tight MacAdam ellipse
step to create consistent, premium light quality

Highly engineered mixing chamber
that creates the unique narrow and medium beam

Zumtobel advancedOptics
diffuser technology that supports the intended light
distribution and reduces glare

Zumtobel advancedReflector
technology with a unique 45° and 55° cut-off to either
create less glare or improve efficacy



UL-certified driver housing design

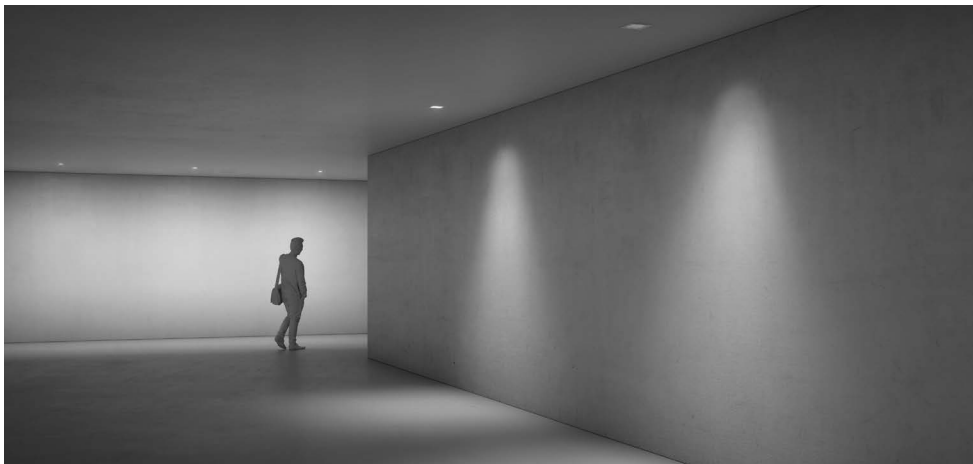
Adding to the overall efficiency, the new dedicated driver housing design allows an option to ship the housing prior to the luminaire and driver. The capability to install the housing and complete the electrical wiring initially prevents damage or the loss of the reflector, luminaire and driver on the job site. The luminaire and driver are simply passed through the housing aperture and connected to the electric supply via a quick-connect mechanism. This unique feature leads to efficient installation and convenient maintenance. The luminaire and driver can be quickly removed for easy maintenance outside of the housing, which is especially helpful in inaccessible ceiling situations.

BASYS

Light Distribution



Zumtobel BASYS LED II 2.75" adjustable with tiltShift technology (from left: 40° tilted and 20° tilted)



Zumtobel BASYS LED II 2.75" Wallwashers and Downlights (from left: 55° and 45° cut-off)

DOWNLIGHT



Round | Square
 Flanged | Flangeless
 45° Cutoff | 55° Cutoff



2.75"

4"

6"

Color Temperature

2700 K
 3000 K
 3500 K
 4000 K

Color Temperature

2700 K
 3000 K
 3500 K
 4000 K

Color Temperature

2700 K
 3000 K
 3500 K
 4000 K

Luminous Flux

600 lm – 1200 lm

Luminous Flux

1000 lm – 2100 lm

Luminous Flux

1400 lm – 3200 lm

80 or 90 CRI

85 CRI

85 CRI

Damp Location

Wet Location

Wet Location

Energy Star Rated
 Chicago Plenum
 TechZone 6" option

Energy Star Rated
 Chicago Plenum
 TechZone 6" option

Energy Star Rated
 Chicago Plenum

WALLWASHER



Round | Square
 Flanged | Flangeless
 45° Cutoff | 55° Cutoff



2.75"

4"

6"

Color Temperature

2700 K
 3000 K
 3500 K
 4000 K

Color Temperature

2700 K
 3000 K
 3500 K

Color Temperature

2700 K
 3000 K
 3500 K

Luminous Flux

500 lm – 1000 lm

Luminous Flux

1000 lm – 2100 lm

Luminous Flux

1400 lm – 3200 lm

80 or 90 CRI

85 CRI

85 CRI

Damp Location

Wet Location

Wet Location

Energy Star Rated
 Chicago Plenum
 TechZone 6" option

Energy Star Rated
 Chicago Plenum
 TechZone 6" option

Energy Star Rated
 Chicago Plenum

ADJUSTABLE



Patented tiltShift technology

Tilt 0–40°
360° Rotation
Constant uncut beam



Round | Square
Flanged | Flangeless



Beam Angles

10° 24° 38° 60°

2.75"

Color Temperature

2700 K
3000 K
3500 K
4000 K

Luminous Flux

850 lm – 1700 lm

80 or 90 CRI

Damp Location

Energy Star Rated
Chicago Plenum
TechZone 6" option

USA and Canada

Zumtobel Lighting Inc.
3300 Route 9W
Highland, NY 12528
T +1-845-691-6262
F +1-800-448-4131
zli.us@zumtobel.com

zumtobel.us

Designed in USA and Austria.**Manufactured in USA.**

Zumtobel Lighting, Inc. (Americas Division), based in Highland, New York, is a subsidiary of Zumtobel Group AG. As an innovation leader in the North and South American markets, Zumtobel provides next-generation lighting solutions and luminaires. Designed in both the United States and Austria, Zumtobel luminaires are manufactured in Highland, New York. Zumtobel Lighting, Inc. strives to meet the evolving needs of its customers and ships its most popular product in 10 days or less and standard product offerings within 4 – 6 weeks with an industry leading 98% on-time delivery rate.

Zumtobel is a brand of Zumtobel AG with its head office in Dornbirn, Vorarlberg (Austria).

