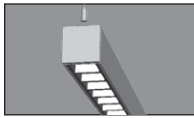


# Installation Instructions – Individual

Refer to Spec Sheet FIF 1078



**Important Preinstallation Note:** 4" square junction box supplied by others. Canopies and suspensions are supplied, two per individual fixture. **Junction box should be installed regressed 3/16" into ceiling. Do not handle fixtures without gloves. READ ALL INSTRUCTIONS THOROUGHLY BEFORE ATTEMPTING INSTALLATION.**

## LINCOR Cable-Mounted Individual Fixtures Before Sheetrock

DANGER

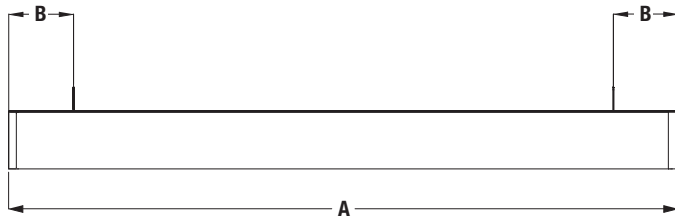
**RISK OF FIRE AND ELECTRICAL SHOCK**

Contact, improper installation, or improper servicing MAY RESULT IN DEATH OR SERIOUS INJURY!

Fixture must be installed by a qualified electrician only. Fixture is intended for installation in accordance with the National Electrical Code, local and federal code specifications. Disconnect power at electrical panel before servicing. Retain these instructions for maintenance reference.

**1 Unpack fixture.** Fixture is shipped pre-assembled with cord attached and suspension cables in each end, which are taped to the fixture for shipping.

**2 Determine spacing for mounting points.**



**A - Fixture Length**

4ft Individual	47-5/8"
8ft Individual	94-3/4"

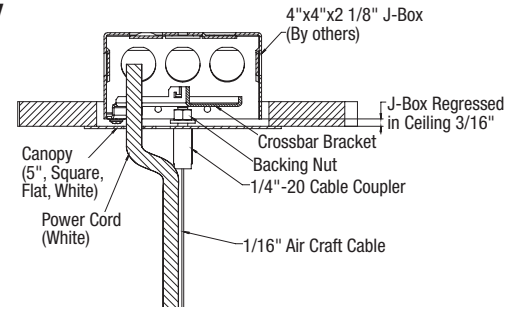
**B - Recommended minimum distance from endcap to suspension**

1" min

**Fixture weights:**

4 ft.	7-1/2 lbs
8 ft.	13-1/2 lbs

**3 Prepare ceiling/wall for junction box and suspension installation using method(s) below that apply to your installation.**

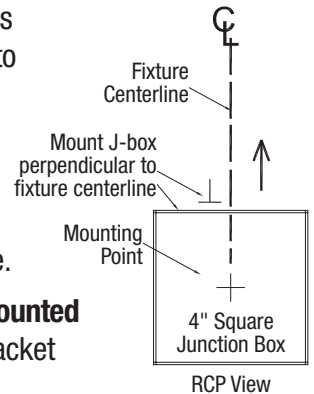


All mounting points must be in a straight line. J-boxes must be mounted perpendicular to fixture center line as shown.

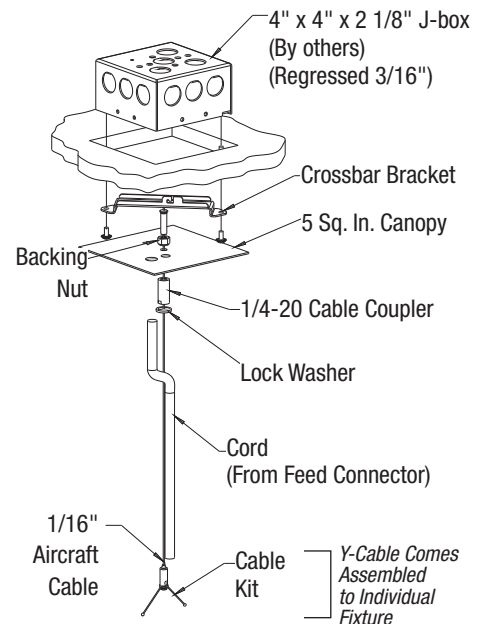
**a. Cable, Surface and Wall Mount –** Install junction box (feed or non-feed) 3/16" above the finished ceiling surface.

**b. Cable Mount – Hang cable-mounted suspension.** Screw cross bar bracket to junction box. Insert cable into keyhole in cross bar bracket.

**c. Cable Mount – 1/4-20 mounting:** Make sure that the stud is at least 1/2" below the ceiling tile.



**J-box Mounted with Power Feed**



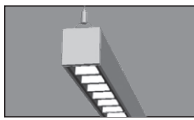
**Note: For feed locations, use canopy provided with power cord.**

*Questions? Problems? Call (800) 448-4131 and we will be happy to assist you. For technical specification sheets or other information about our products, please go to [www.zumtobel.us](http://www.zumtobel.us)*



# Installation Instructions – Individual

Refer to Spec Sheet FIF 1078



**Important Preinstallation Note:** 4" square junction box supplied by others. Canopies and suspensions are supplied, two per individual fixture. **Junction box should be installed regressed 3/16" into ceiling. Do not handle fixtures without gloves. READ ALL INSTRUCTIONS THOROUGHLY BEFORE ATTEMPTING INSTALLATION.**

## LINCOR Cable-Mounted Individual Fixtures Before Sheetrock

DANGER

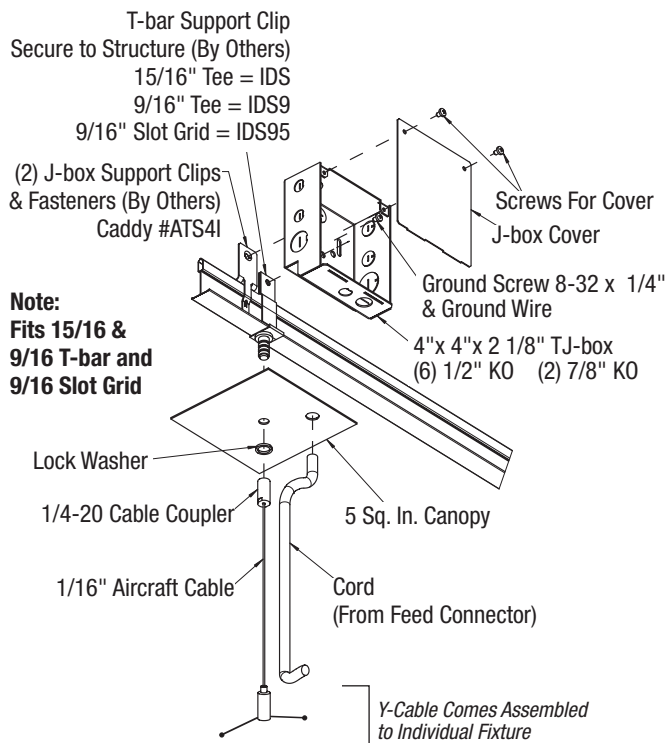
**RISK OF FIRE AND ELECTRICAL SHOCK**

Contact, improper installation, or improper servicing MAY RESULT IN DEATH OR SERIOUS INJURY!

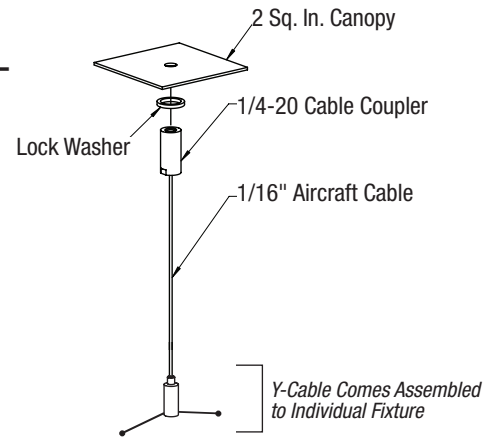
Fixture must be installed by a qualified electrician only. Fixture is intended for installation in accordance with the National Electrical Code, local and federal code specifications. Disconnect power at electrical panel before servicing. Retain these instructions for maintenance reference.

**3 Continued.**  
**d. For T-bar mounting:** Attach T-bar support clip to T-bar ceiling. Align T-bar support clip to junction box for easy wiring.

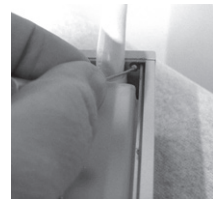
### T-bar Mounted with Power Feed



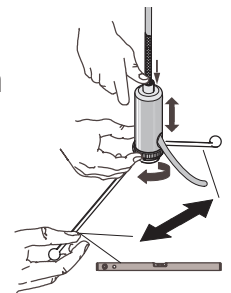
### 1/4-20 Fastener Non-Power Feed – 2" Canopy



**4 Remove tape from suspension cable, and insert aircraft cable from ceiling into the cable connector. Press top of spring-loaded cable connector and release once the desired height is reached.**



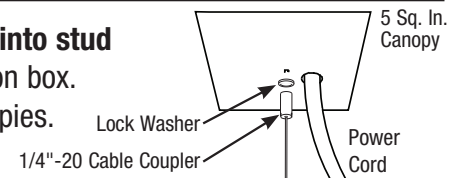
Level fixture, then tighten the bottom of the cable connector. Cut excess aircraft cable to desired length.



**5 Make electrical connections using supplied power cord. Attach canopy ground wire to a suitable point in the junction box, per NEC and local codes.**

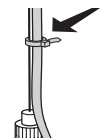
### 6 Place canopy into stud to cover junction box.

Repeat for all canopies.



### 7 Secure power cord to aircraft cable with wire ties provided.

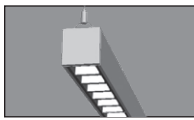
Wire ties provide strain relief.



**8 Using gloves (provided), carefully remove the protective film from the minicell louvers and indirect lens. DO NOT TOUCH THE MINICELL LOUVERS!**

# Installation Instructions – Individual

Refer to Spec Sheet FIF 1078



**Important Preinstallation Note:** 4" square junction box supplied by others. Canopies and suspensions are supplied, two per individual fixture. **Junction box should be installed regressed 3/16" into ceiling. Do not handle fixtures without gloves. READ ALL INSTRUCTIONS THOROUGHLY BEFORE ATTEMPTING INSTALLATION.**

## LINCOR Cable-Mounted Individual Fixtures Before Sheetrock

### **DANGER**

#### RISK OF FIRE AND ELECTRICAL SHOCK

Contact, improper installation, or improper servicing MAY RESULT IN DEATH OR SERIOUS INJURY!

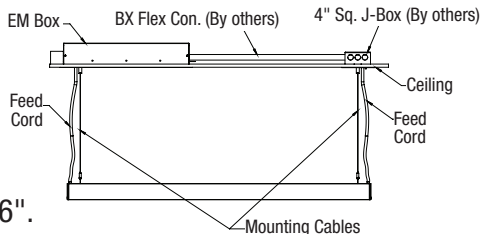
Fixture must be installed by a qualified electrician only. Fixture is intended for installation in accordance with the National Electrical Code, local and federal code specifications. Disconnect power at electrical panel before servicing. Retain these instructions for maintenance reference.



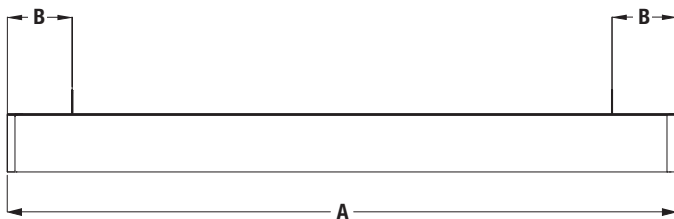
### Installation of Remote EM driver in sheetrock ceiling

**1 Unpack fixture and Remote box.** Fixture is shipped pre-assembled with power cord attached and suspension cables in each end, which are taped to the fixture for shipping.

**2 Determine location of remote box in the ceiling, and cut hole 2-7/8" x 19-13/16".**



**3 Determine spacing for mounting point.**



**A - Fixture Length**

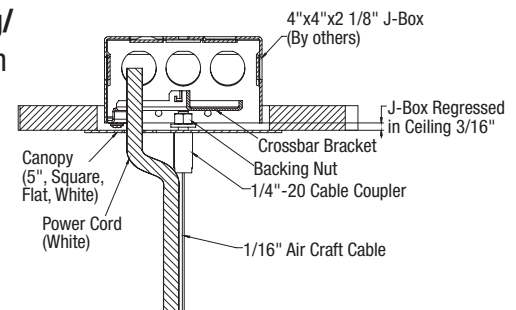
4ft Individual	47-5/8"
8ft Individual	94-3/4"

**Fixture weights:**  
4 ft. 7-1/2 lbs  
8 ft. 13-1/2 lbs

**B - Recommended minimum distance from endcap to suspension**

1" min

**4 Prepare ceiling/wall for junction box and suspension installation using method(s) below that apply to your installation.**



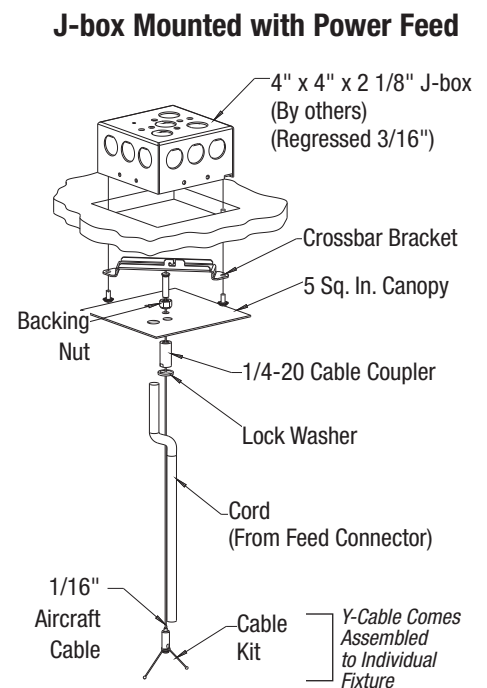
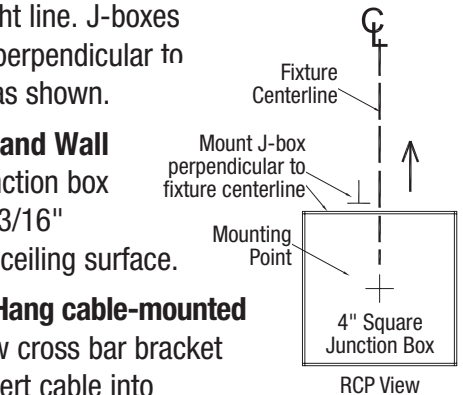
All mounting points must be in a straight line. J-boxes must be mounted perpendicular to fixture center line as shown.

**a. Cable, Surface and Wall Mount – Install junction box (feed or non-feed) 3/16" above the finished ceiling surface.**

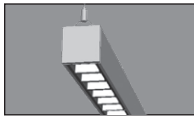
**b. Cable Mount – Hang cable-mounted suspension. Screw cross bar bracket to junction box. Insert cable into keyhole in cross bar bracket.**

**c. Cable Mount – 1/4-20 mounting:**

**J-box Mounted with Power Feed**  
Make sure that the stud is at least 1/2" below the ceiling tile.



**Note: For feed locations, use canopy provided with power cord.**



**Important Preinstallation Note:** 4" square junction box supplied by others. Canopies and suspensions are supplied, two per individual fixture. **Junction box should be installed regressed 3/16" into ceiling. Do not handle fixtures without gloves. READ ALL INSTRUCTIONS THOROUGHLY BEFORE ATTEMPTING INSTALLATION.**

**LINCOR**  
Cable-Mounted  
Individual Fixtures  
Before Sheetrock

## DANGER

### RISK OF FIRE AND ELECTRICAL SHOCK



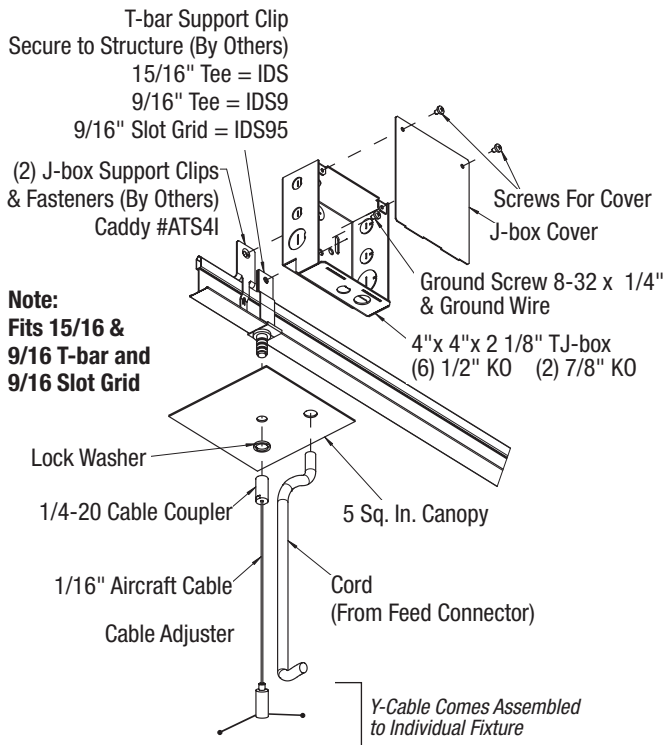
Contact, improper installation, or improper servicing MAY RESULT IN DEATH OR SERIOUS INJURY!

Fixture must be installed by a qualified electrician only. Fixture is intended for installation in accordance with the National Electrical Code, local and federal code specifications. Disconnect power at electrical panel before servicing. Retain these instructions for maintenance reference.

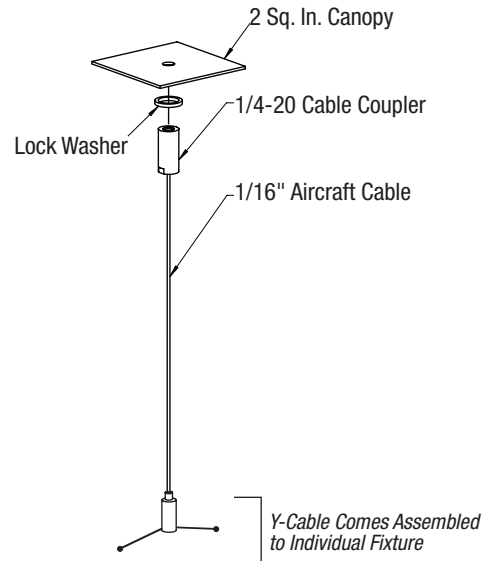
## 4 Continued.

**d. For T-bar mounting:** Attach T-bar support clip to T-bar ceiling. Make sure that T-bar support clip is attached close to junction box for easy wiring.

### T-bar Mounted with Power Feed



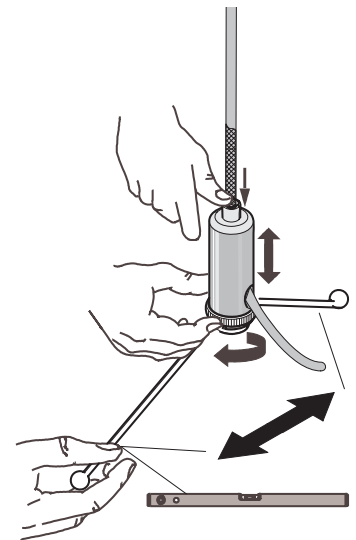
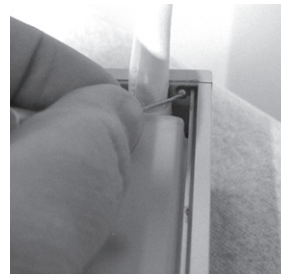
### 1/4-20 Fastener Non-Power Feed – 2" Canopy

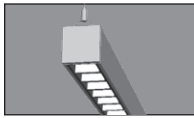


**5 Remove tape from suspension cable, and insert aircraft cable from ceiling into the cable connector. Press top of spring-loaded cable connector and release once the desired height is reached.**

Level fixture, then tighten the bottom of the cable connector.

Cut excess aircraft cable to desired length.





**Important Preinstallation Note:** 4" square junction box supplied by others. Canopies and suspensions are supplied, two per individual fixture. **Junction box should be installed regressed 3/16" into ceiling. Do not handle fixtures without gloves. READ ALL INSTRUCTIONS THOROUGHLY BEFORE ATTEMPTING INSTALLATION.**

**LINCOR**  
Cable-Mounted  
Individual Fixtures  
Before Sheetrock

DANGER

**RISK OF FIRE AND ELECTRICAL SHOCK**

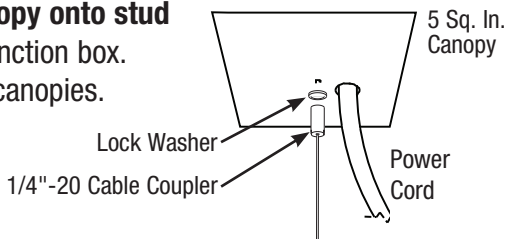
Contact, improper installation, or improper servicing MAY RESULT IN DEATH OR SERIOUS INJURY!

Fixture must be installed by a qualified electrician only. Fixture is intended for installation in accordance with the National Electrical Code, local and federal code specifications. Disconnect power at electrical panel before servicing. Retain these instructions for maintenance reference.

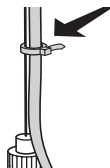
**6** Make electrical connections in junction box using supplied power cord. Attach canopy ground wire to a suitable point in the junction box, per NEC and local codes.

**7** Make connections in remote EM box per wiring diagram (see Page 6).

**8** Place canopy onto stud to cover junction box. Repeat for all canopies.



**9** Secure power cord to aircraft cable with wire ties provided. Wire ties provide strain relief.



**10** Using gloves (provided), carefully remove the protective film from the minicell louvers and indirect lens. **DO NOT TOUCH THE MINICELL LOUVERS!**

## Standard Wire Color Legends

### 0-10V Dimming

STD DIMMING WIRE COLOR LEGENDS	
COLOR	CONNECTION
BLACK	HOT
WHITE	NEUTRAL
GREEN	GROUND
ORANGE	DIM +
BROWN	DIM-

### LUTRON Dimming

LUTRON WIRE COLOR LEGENDS	
COLOR	CONNECTION
BLACK	HOT
WHITE	NEUTRAL
GREEN	GROUND
ORANGE	E1
BROWN	E2

### DALI Dimming

DALI DIMMING WIRE COLOR LEGENDS	
COLOR	CONNECTION
BLACK	HOT
WHITE	NEUTRAL
GREEN	GROUND
ORANGE	D1
BROWN	D2

**Note:** Color code indicates standard color convention for drivers noted supplied with fixture unless otherwise indicated.



