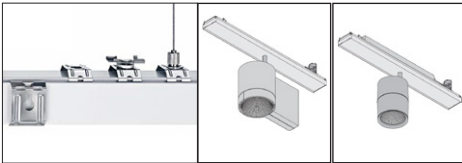


Installation Instructions



Important Preinstallation Note: 4" square welded junction box (30 cu. in. volume) supplied by others. Canopies and suspensions are ordered separately. **Junction boxes should be installed regressed 3/16" into sheetrock ceiling.** For T-bar ceilings use caddy clips by others. Please refer to the approved layout drawings prior to installation, if applicable.

**TECTON HEADS
FACTOR
VIVO MEDIUM**

DO NOT REMOVE THE LED ASSEMBLY. THIS WILL VOID THE WARRANTY. Call Zumtobel at 1-800-448-4131 for questions.

DANGER

RISK OF FIRE AND ELECTRICAL SHOCK

Contact, improper installation, or improper servicing MAY RESULT IN DEATH OR SERIOUS INJURY!

Fixture must be installed by a qualified electrician only. Fixture is intended for installation in accordance with the National Electrical Code, local and federal code specifications. Disconnect power at electrical panel before servicing. Retain these instructions for maintenance reference.

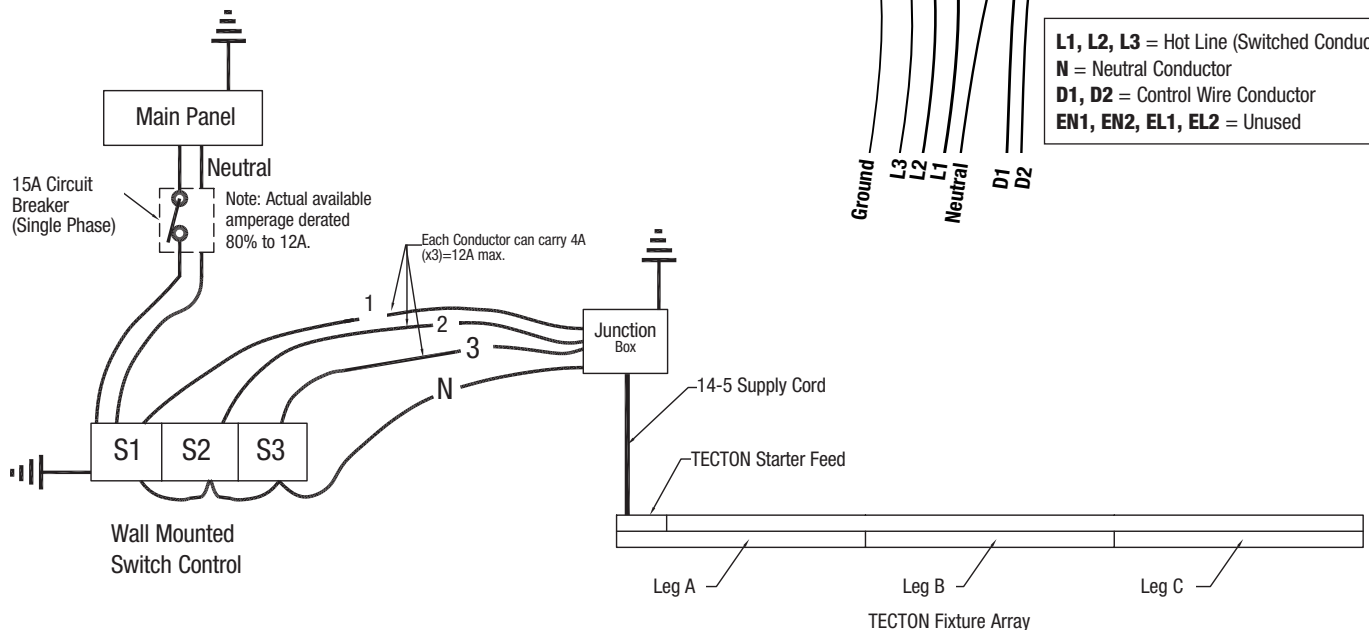
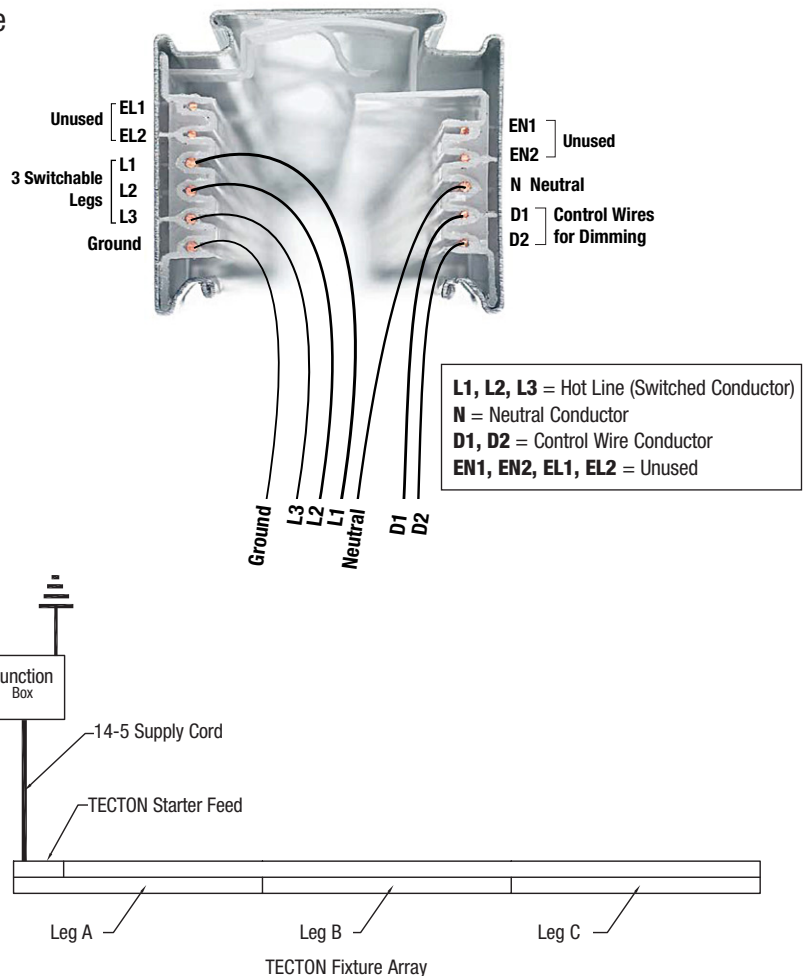


READ ENTIRE INSTRUCTIONS BEFORE STARTING INSTALLATION

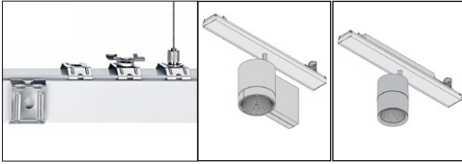
1 **Unpack fixture.** Suspensions/canopies are ordered and packaged separately.

2 **Determine spacing for mounting points.** The supplied Starter Feed contains pre-wired (5) 14-gauge SJT cord. For dimming applications additional (2) 18-gauge SJT cord is supplied. 15A max. rated, in single circuit with three switch legs. **It is not intended for use with three phase installation wiring conditions.**

The unused (4) conductors EL1, EL2, EN1, EN2 are terminated (along with the line voltage conductors) at the end of the run.



Installation Instructions



Important Preinstallation Note: 4" square welded junction box (30 cu. in. volume) supplied by others. Canopies and suspensions are ordered separately. **Junction boxes should be installed regressed 3/16" into sheetrock ceiling.** For T-bar ceilings use caddy clips by others. Please refer to the approved layout drawings prior to installation, if applicable.

**TECTON HEADS
FACTOR
VIVO MEDIUM**

DO NOT REMOVE THE LED ASSEMBLY. THIS WILL VOID THE WARRANTY. Call Zumtobel at 1-800-448-4131 for questions.

DANGER

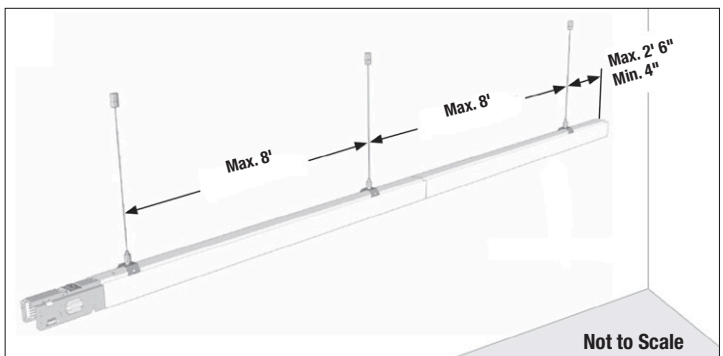
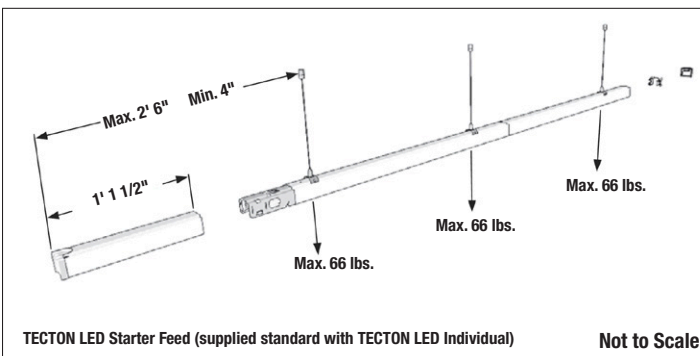
RISK OF FIRE AND ELECTRICAL SHOCK



Contact, improper installation, or improper servicing MAY RESULT IN DEATH OR SERIOUS INJURY!

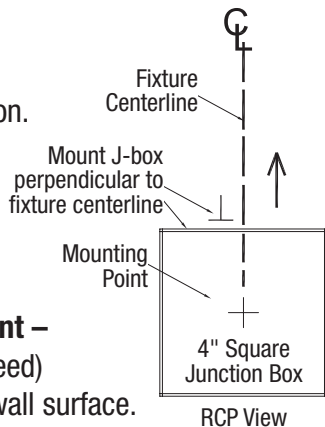
Fixture must be installed by a qualified electrician only. Fixture is intended for installation in accordance with the National Electrical Code, local and federal code specifications. Disconnect power at electrical panel before servicing. Retain these instructions for maintenance reference.

Finished suspension length will be reduced by maximum of 2' 6" depending on location of first and last aircraft cable.



3 Prepare ceiling/wall for junction box and suspension installation using method(s) below that apply to your installation.

All mounting points must be in a straight line. J-boxes must be mounted perpendicular to fixture center line as shown.



a. Cable, Surface and Wall Mount –

Install junction box (feed or non-feed) 3/16" above the finished ceiling/wall surface. Trunking weight is approximately 1.2 lb/ft. (actual weight depends on optic used; please refer to individual optic spec sheets for details)

b. Cable Mount – Hang cable-mounted suspension.

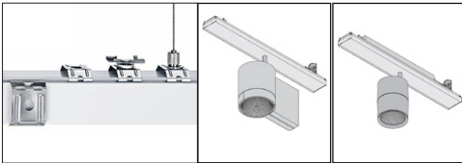
Screw cross bar bracket to junction box. Insert cable into keyhole in cross bar bracket.

c. Cable Mount – 1/4-20 mounting: Secure crossbar with stud at least 1/2" below ceiling tile.

Make sure all mounting points, junction boxes and canopies are in a straight line.

Standby battery pack fixtures need separate junction box(es) and suspensions.

Installation Instructions



Important Preinstallation Note: 4" square welded junction box (30 cu. in. volume) supplied by others. Canopies and suspensions are ordered separately. **Junction boxes should be installed regressed 3/16" into sheetrock ceiling.** For T-bar ceilings use caddy clips by others. Please refer to the approved layout drawings prior to installation, if applicable.

**TECTON HEADS
FACTOR
VIVO MEDIUM**

DO NOT REMOVE THE LED ASSEMBLY. THIS WILL VOID THE WARRANTY. Call Zumtobel at 1-800-448-4131 for questions.



DANGER

RISK OF FIRE AND ELECTRICAL SHOCK

Contact, improper installation, or improper servicing MAY RESULT IN DEATH OR SERIOUS INJURY!

Fixture must be installed by a qualified electrician only. Fixture is intended for installation in accordance with the National Electrical Code, local and federal code specifications. Disconnect power at electrical panel before servicing. Retain these instructions for maintenance reference.

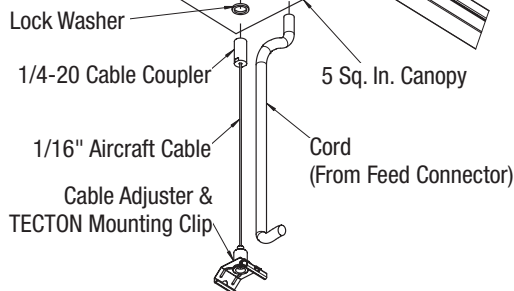
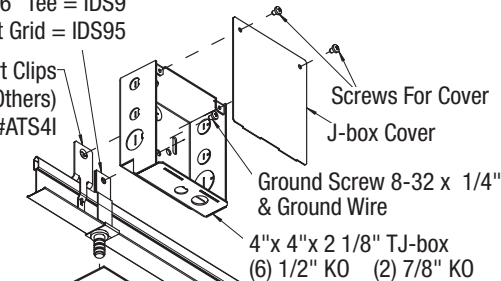


T-bar Mounted with Power Feed

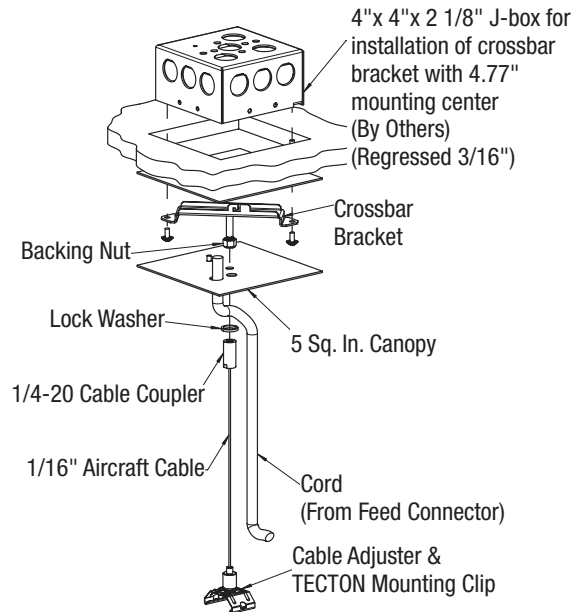
T-bar Support Clip
Secure to Structure (By Others)
15/16" Tee = IDS
9/16" Tee = IDS9
9/16" Slot Grid = IDS95

(2) J-box Support Clips
& Fasteners (By Others)
Caddy #ATS4I

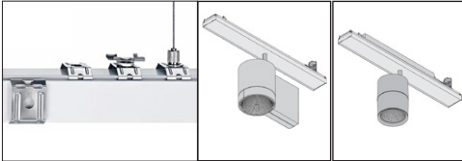
Note:
Fits 15/16 &
9/16 T-bar and
9/16 Slot Grid



J-box Mounted with Power Feed



Installation Instructions



Important Preinstallation Note: 4" square welded junction box (30 cu. in. volume) supplied by others. Canopies and suspensions are ordered separately. **Junction boxes should be installed regressed 3/16" into sheetrock ceiling.** For T-bar ceilings use caddy clips by others. Please refer to the approved layout drawings prior to installation, if applicable.

**TECTON HEADS
FACTOR
VIVO MEDIUM**

DO NOT REMOVE THE LED ASSEMBLY. THIS WILL VOID THE WARRANTY. Call Zumtobel at 1-800-448-4131 for questions.



DANGER

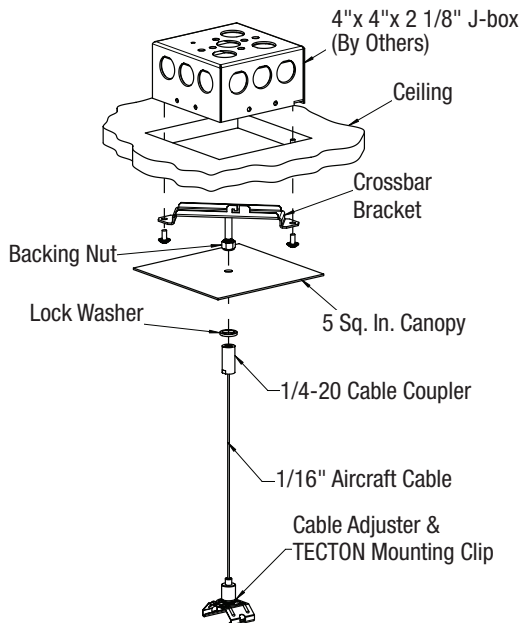


RISK OF FIRE AND ELECTRICAL SHOCK

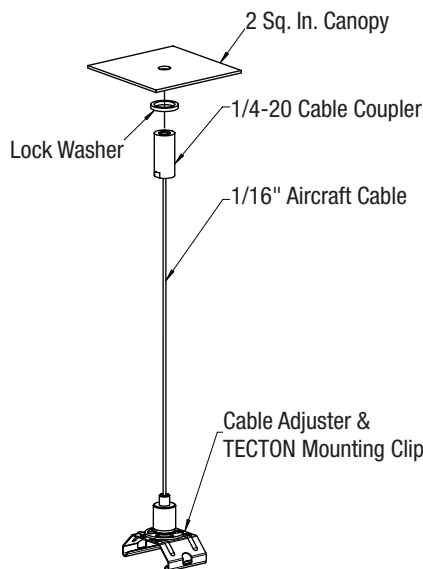
Contact, improper installation, or improper servicing MAY RESULT IN DEATH OR SERIOUS INJURY!

Fixture must be installed by a qualified electrician only. Fixture is intended for installation in accordance with the National Electrical Code, local and federal code specifications. Disconnect power at electrical panel before servicing. Retain these instructions for maintenance reference.

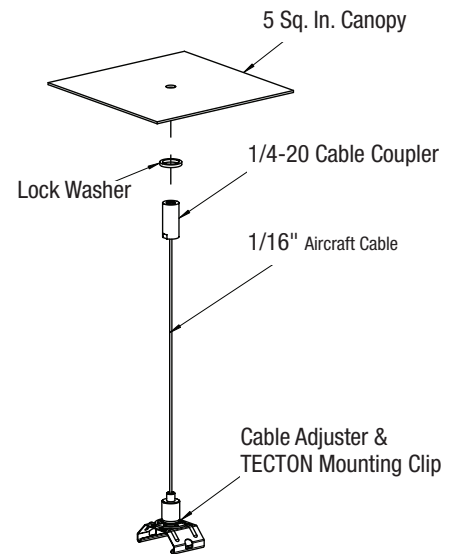
**J-box Mounted
Non-Power Feed – 5" Canopy**



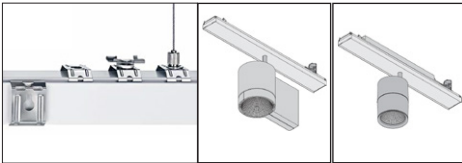
**1/4-20 Fastener
Non-Power Feed – 2" Canopy**



**1/4-20 Fastener
Non-Power Feed – 5" Canopy**



Installation Instructions



Important Preinstallation Note: 4" square welded junction box (30 cu. in. volume) supplied by others. Canopies and suspensions are ordered separately. **Junction boxes should be installed regressed 3/16" into sheetrock ceiling.** For T-bar ceilings use caddy clips by others. Please refer to the approved layout drawings prior to installation, if applicable.

**TECTON HEADS
FACTOR
VIVO MEDIUM**

DO NOT REMOVE THE LED ASSEMBLY. THIS WILL VOID THE WARRANTY. Call Zumtobel at 1-800-448-4131 for questions.

DANGER

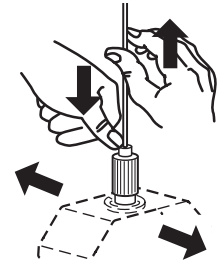


RISK OF FIRE AND ELECTRICAL SHOCK

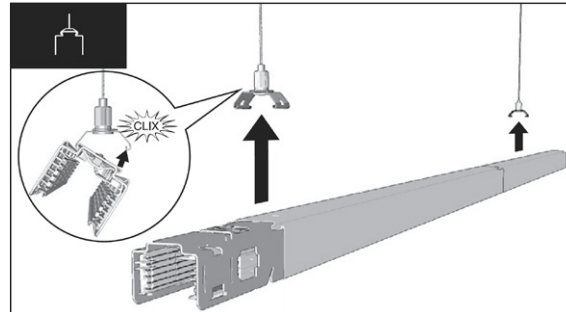
Contact, improper installation, or improper servicing MAY RESULT IN DEATH OR SERIOUS INJURY!

Fixture must be installed by a qualified electrician only. Fixture is intended for installation in accordance with the National Electrical Code, local and federal code specifications. Disconnect power at electrical panel before servicing. Retain these instructions for maintenance reference.

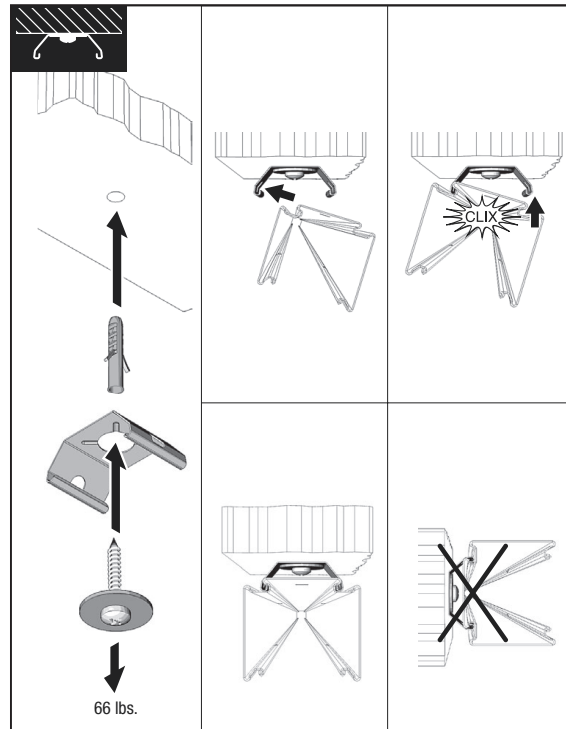
4 Attach trunking to suspensions



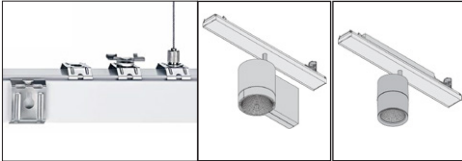
a. Cable Mount – Snap brackets at the end of the cable to the top of the trunking. Adjust aircraft cable suspension length by pressing the spring-loaded connector and sliding cable to desired length. Position of cable bracket is adjustable along the length of the trunking.



b. Surface Mount – Attach mounting clips (supplied) to ceiling structure with #10 pan-head screw and washer (by others).



Installation Instructions



Important Preinstallation Note: 4" square welded junction box (30 cu. in. volume) supplied by others. Canopies and suspensions are ordered separately. **Junction boxes should be installed regressed 3/16" into sheetrock ceiling.** For T-bar ceilings use caddy clips by others. Please refer to the approved layout drawings prior to installation, if applicable.

**TECTON HEADS
FACTOR
VIVO MEDIUM**

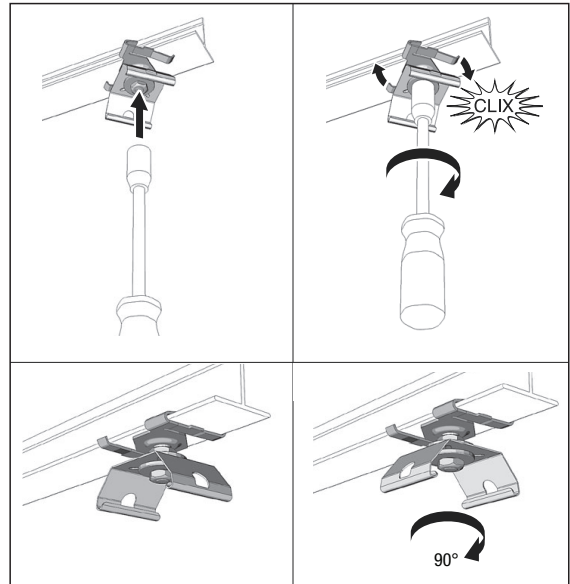
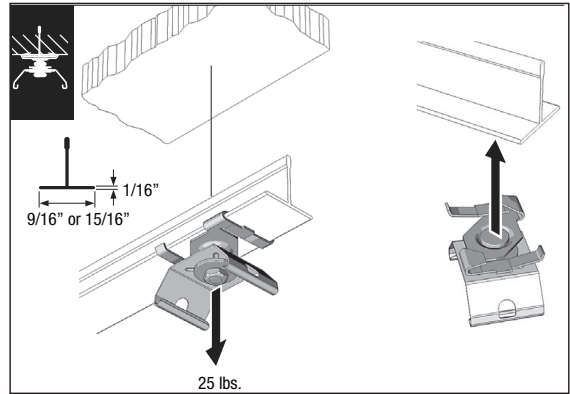
DO NOT REMOVE THE LED ASSEMBLY. THIS WILL VOID THE WARRANTY. Call Zumtobel at 1-800-448-4131 for questions.

DANGER

RISK OF FIRE AND ELECTRICAL SHOCK

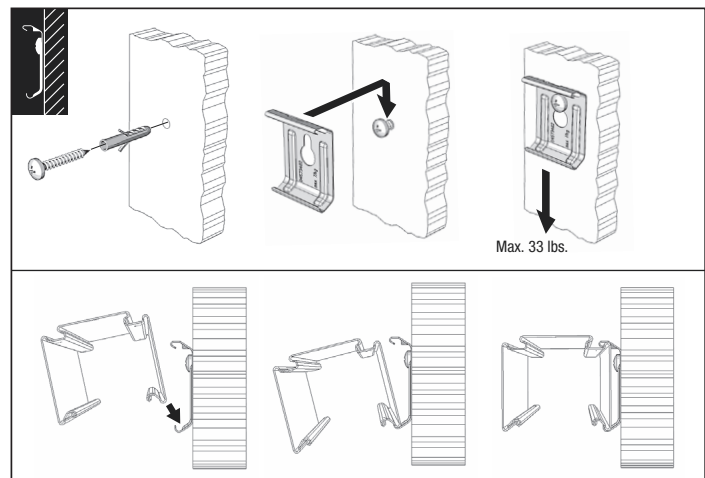
Contact, improper installation, or improper servicing MAY RESULT IN DEATH OR SERIOUS INJURY!

Fixture must be installed by a qualified electrician only. Fixture is intended for installation in accordance with the National Electrical Code, local and federal code specifications. Disconnect power at electrical panel before servicing. Retain these instructions for maintenance reference.

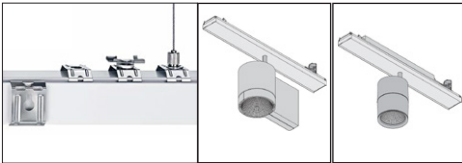


c. Surface Mount T-bar – Attach caddy clip to T-bar and with nut driver (by others) twist caddy clip 90° to securely lock in place.

d. Wall Mount – Attach mounting clips (supplied) to wall with #10 pan-head screw (by others) as shown.



Installation Instructions



Important Preinstallation Note: 4" square welded junction box (30 cu. in. volume) supplied by others. Canopies and suspensions are ordered separately. **Junction boxes should be installed regressed 3/16" into sheetrock ceiling.** For T-bar ceilings use caddy clips by others. Please refer to the approved layout drawings prior to installation, if applicable.

**TECTON HEADS
FACTOR
VIVO MEDIUM**

DO NOT REMOVE THE LED ASSEMBLY. THIS WILL VOID THE WARRANTY. Call Zumtobel at 1-800-448-4131 for questions.

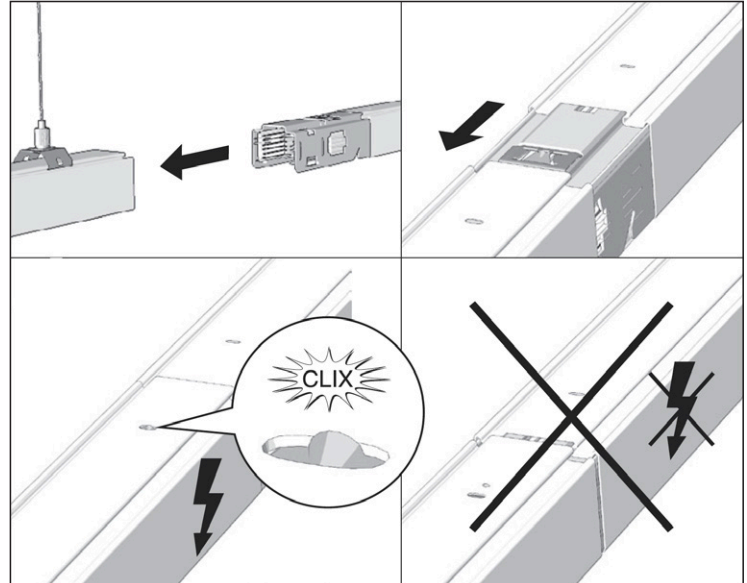
DANGER



RISK OF FIRE AND ELECTRICAL SHOCK

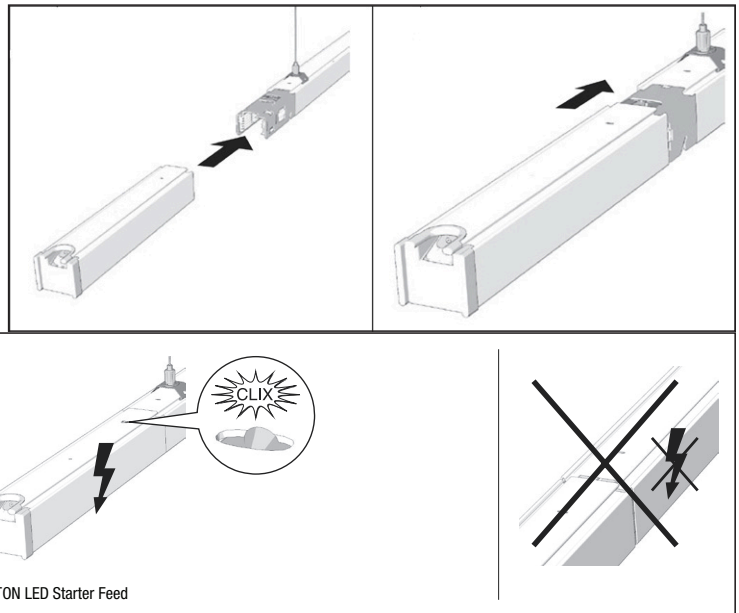
Contact, improper installation, or improper servicing MAY RESULT IN DEATH OR SERIOUS INJURY!

Fixture must be installed by a qualified electrician only. Fixture is intended for installation in accordance with the National Electrical Code, local and federal code specifications. Disconnect power at electrical panel before servicing. Retain these instructions for maintenance reference.



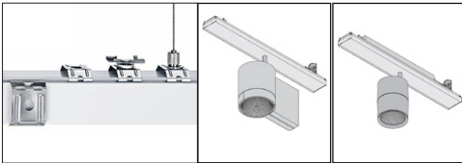
5 Attach trunking sections to each other for continuous runs by pressing firmly until the CLIX sound is heard. Make sure to orient the trunkings correctly as shown. Trunkings are shipped prewired for mechanical and electrical connection and grounding.

6 Attach Starter feed module to trunking unit by pushing firmly until CLIX sound is heard. Make electrical connections from supplied power cord to ceiling.



TECTON LED Starter Feed

Installation Instructions



Important Preinstallation Note: 4" square welded junction box (30 cu. in. volume) supplied by others. Canopies and suspensions are ordered separately. **Junction boxes should be installed regressed 3/16" into sheetrock ceiling.** For T-bar ceilings use caddy clips by others. Please refer to the approved layout drawings prior to installation, if applicable.

**TECTON HEADS
FACTOR
VIVO MEDIUM**

DO NOT REMOVE THE LED ASSEMBLY. THIS WILL VOID THE WARRANTY. Call Zumtobel at 1-800-448-4131 for questions.



DANGER

RISK OF FIRE AND ELECTRICAL SHOCK

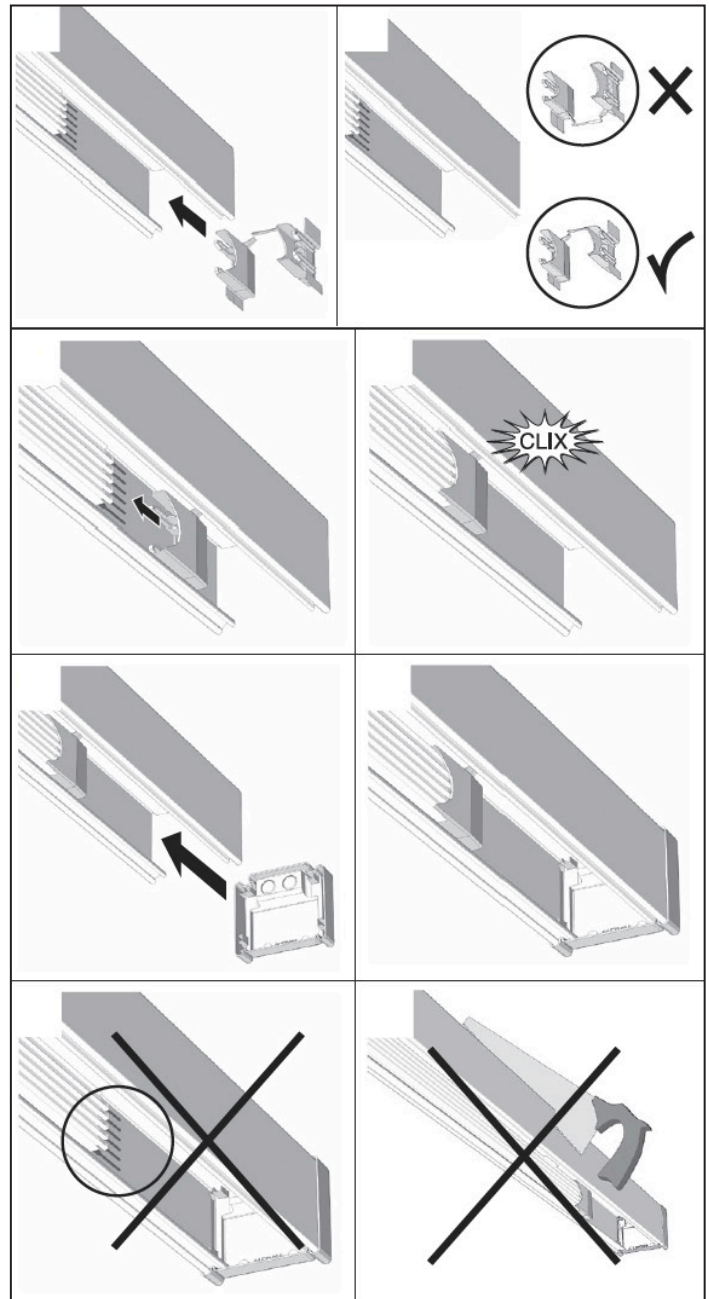
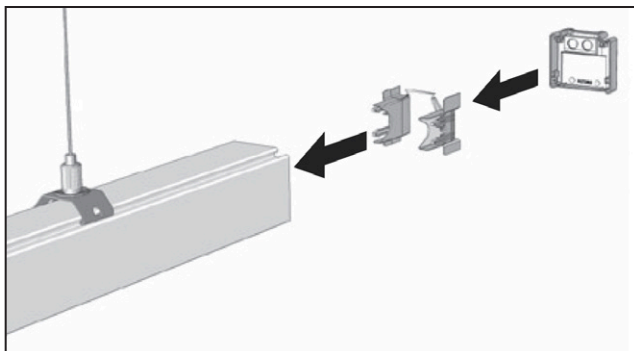
Contact, improper installation, or improper servicing MAY RESULT IN DEATH OR SERIOUS INJURY!

Fixture must be installed by a qualified electrician only. Fixture is intended for installation in accordance with the National Electrical Code, local and federal code specifications. Disconnect power at electrical panel before servicing. Retain these instructions for maintenance reference.

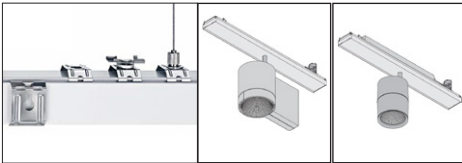


7 Complete the run. THIS IS A VERY IMPORTANT STEP.

a. End Cap – Terminate the wiring using supplied busbar terminator cover as shown below. Insert the cover through the open end of the trunking, making sure the orientation is correct. Push the cover in until you hear a click to indicate positive engagement. Finally complete the run by inserting supplied end cap.



Installation Instructions



Important Preinstallation Note: 4" square welded junction box (30 cu. in. volume) supplied by others. Canopies and suspensions are ordered separately. **Junction boxes should be installed regressed 3/16" into sheetrock ceiling.** For T-bar ceilings use caddy clips by others. Please refer to the approved layout drawings prior to installation, if applicable.

**TECTON HEADS
FACTOR
VIVO MEDIUM**

DO NOT REMOVE THE LED ASSEMBLY. THIS WILL VOID THE WARRANTY. Call Zumtobel at 1-800-448-4131 for questions.

DANGER

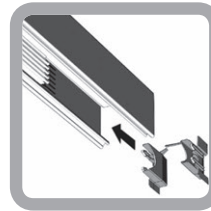


RISK OF FIRE AND ELECTRICAL SHOCK

Contact, improper installation, or improper servicing MAY RESULT IN DEATH OR SERIOUS INJURY!

Fixture must be installed by a qualified electrician only. Fixture is intended for installation in accordance with the National Electrical Code, local and federal code specifications. Disconnect power at electrical panel before servicing. Retain these instructions for maintenance reference.

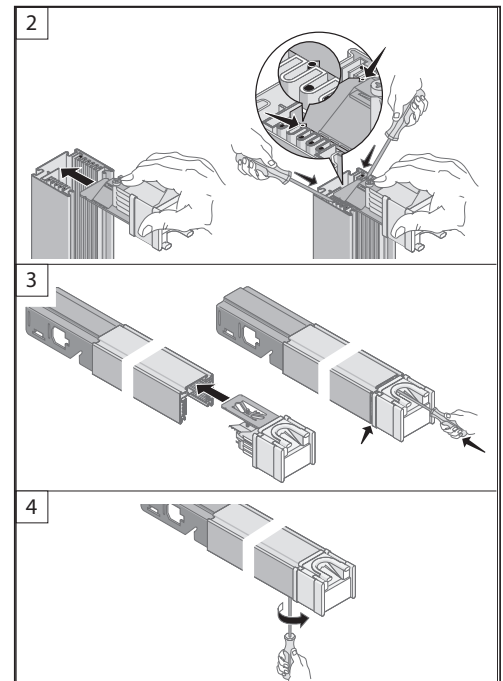
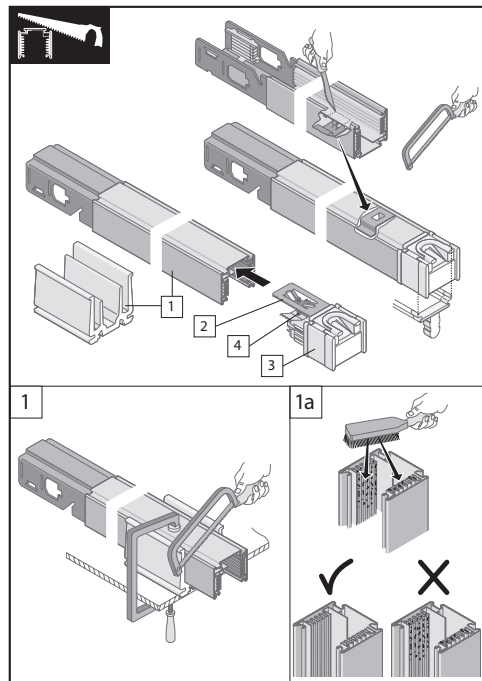
DANGER



REMOVE LABEL AFTER INSTALLATION

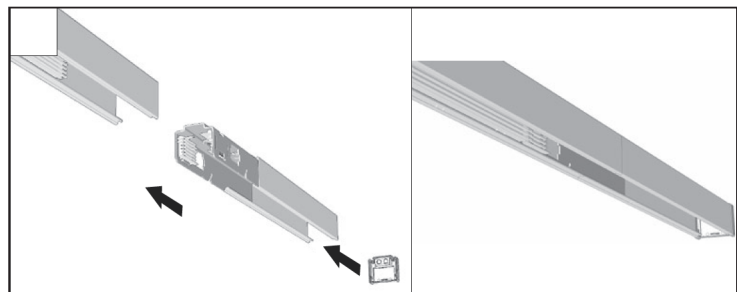
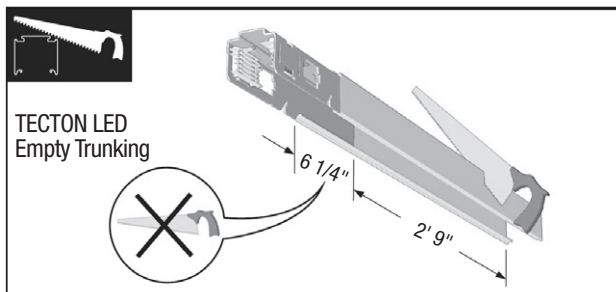
OR

b. Cut the trunking as desired using supplied cutting aid (ordered separately). Brush out the shavings and terminate the wiring using supplied end cap ordered separately.

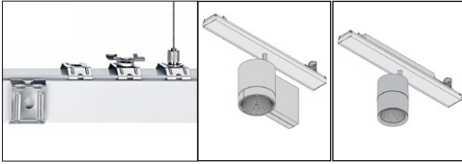


OR

c. End the run with an empty trunking by cutting it to desired length and completing with an end cap.



Installation Instructions



Important Preinstallation Note: 4" square welded junction box (30 cu. in. volume) supplied by others. Canopies and suspensions are ordered separately. **Junction boxes should be installed regressed 3/16" into sheetrock ceiling. For T-bar ceilings use caddy clips by others.** Please refer to the approved layout drawings prior to installation, if applicable.

**TECTON HEADS
FACTOR
VIVO MEDIUM**

DO NOT REMOVE THE LED ASSEMBLY. THIS WILL VOID THE WARRANTY. Call Zumtobel at 1-800-448-4131 for questions.

DANGER

RISK OF FIRE AND ELECTRICAL SHOCK

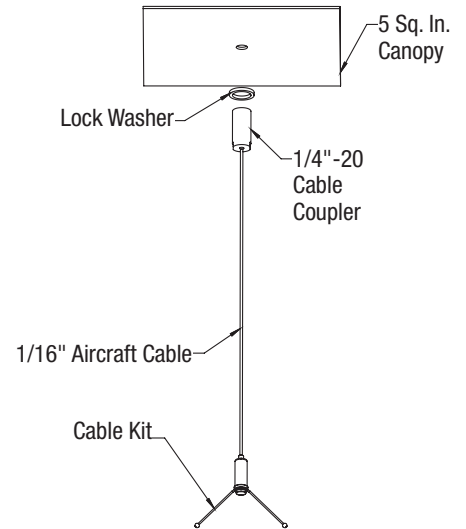
Contact, improper installation, or improper servicing MAY RESULT IN DEATH OR SERIOUS INJURY!

Fixture must be installed by a qualified electrician only. Fixture is intended for installation in accordance with the National Electrical Code, local and federal code specifications. Disconnect power at electrical panel before servicing. Retain these instructions for maintenance reference.

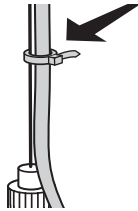


8 Make electrical connections using supplied power cord. Attach canopy ground wire to a suitable point in the junction box, per NEC and local codes.

9 Slide canopy to cover junction box. Repeat for all canopies.



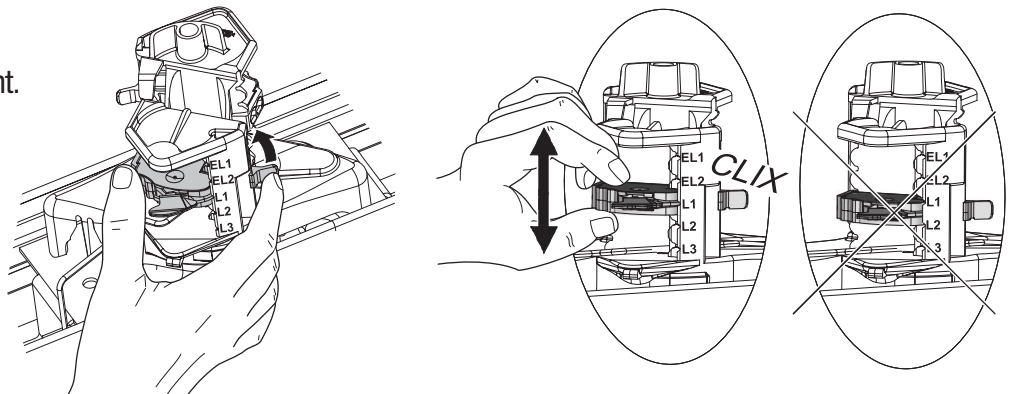
10 Secure power cord to aircraft cable with wire ties provided. Wire ties provide strain relief.



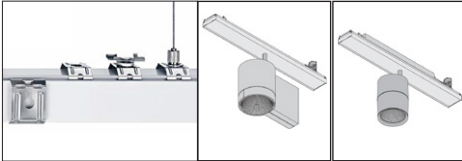
BELOW INSTRUCTIONS FOR FIELD CHANGE REQUIREMENTS ONLY. INDIVIDUAL FIXTURES ARE SUPPLIED ASSEMBLED.

11 Attach batten to installed trunking. Select switchable leg by choosing L1, L2 or L3. Press lever on movable contact to disengage as shown and slide it up or down to desired location. When the indicator lines up with L1, L2 or L3 and clicks into place, release to re-engage lever.

Note: Plan loading of 4A each circuit. (80% of maximum rating). Maximum 12A total for each feed point.



Installation Instructions



Important Preinstallation Note: 4" square welded junction box (30 cu. in. volume) supplied by others. Canopies and suspensions are ordered separately. **Junction boxes should be installed regressed 3/16" into sheetrock ceiling.** For T-bar ceilings use caddy clips by others. Please refer to the approved layout drawings prior to installation, if applicable.

**TECTON HEADS
FACTOR
VIVO MEDIUM**

DO NOT REMOVE THE LED ASSEMBLY. THIS WILL VOID THE WARRANTY. Call Zumtobel at 1-800-448-4131 for questions.



DANGER

RISK OF FIRE AND ELECTRICAL SHOCK

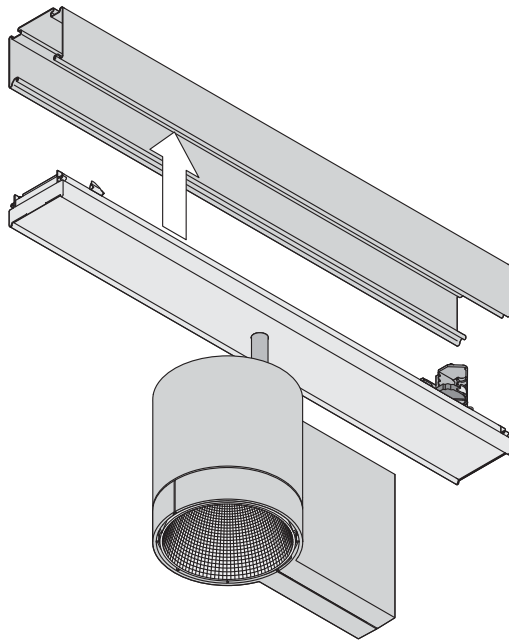
Contact, improper installation, or improper servicing MAY RESULT IN DEATH OR SERIOUS INJURY!

Fixture must be installed by a qualified electrician only. Fixture is intended for installation in accordance with the National Electrical Code, local and federal code specifications. Disconnect power at electrical panel before servicing. Retain these instructions for maintenance reference.

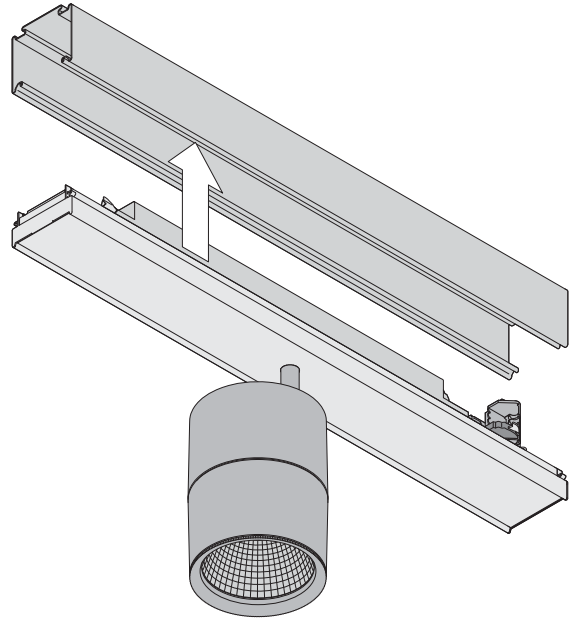


12 Install TECTON Head to trunking by attaching head batten. Trunking is polarized allowing for installation in one direction only. Rotate the CLIX handle to lock the batten to the trunking.

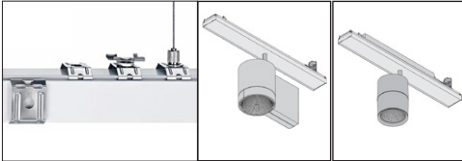
FACTOR



VIVO



Installation Instructions



Important Preinstallation Note: 4" square welded junction box (30 cu. in. volume) supplied by others. Canopies and suspensions are ordered separately. **Junction boxes should be installed regressed 3/16" into sheetrock ceiling.** For T-bar ceilings use caddy clips by others. Please refer to the approved layout drawings prior to installation, if applicable.

**TECTON HEADS
FACTOR
VIVO MEDIUM**

DO NOT REMOVE THE LED ASSEMBLY. THIS WILL VOID THE WARRANTY. Call Zumtobel at 1-800-448-4131 for questions.



DANGER

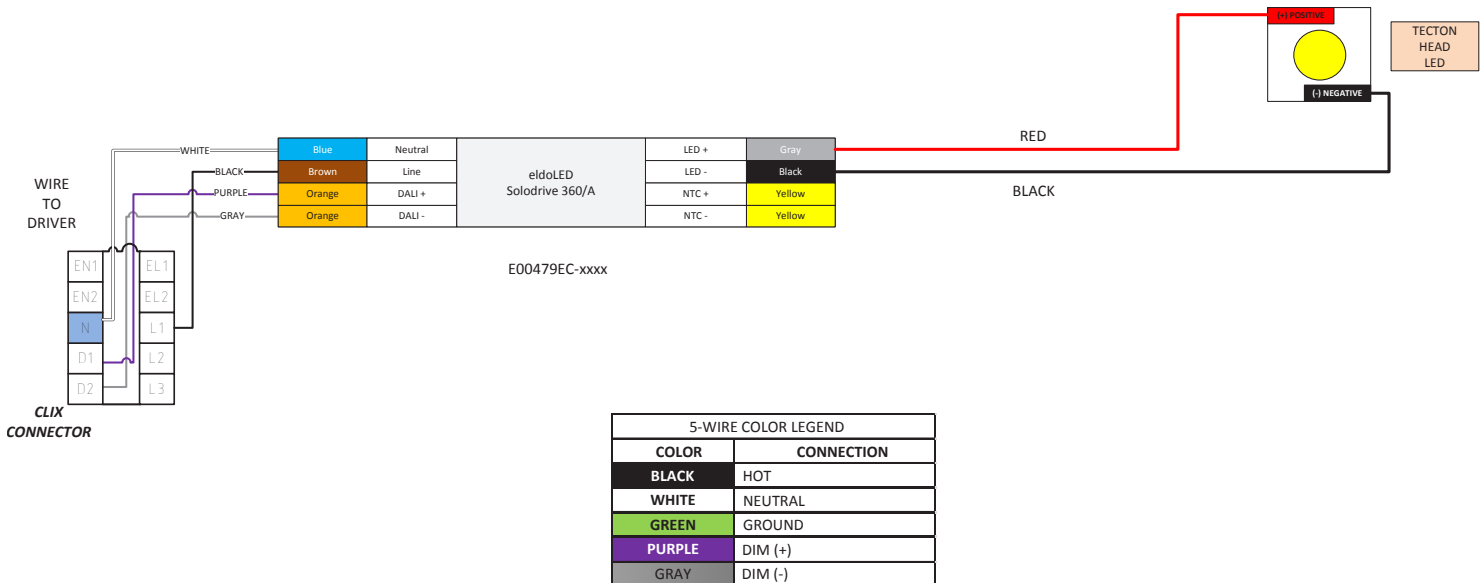


RISK OF FIRE AND ELECTRICAL SHOCK

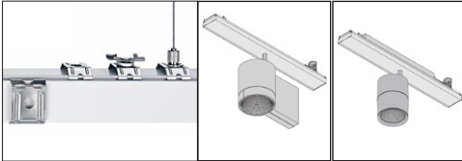
Contact, improper installation, or improper servicing MAY RESULT IN DEATH OR SERIOUS INJURY!

Fixture must be installed by a qualified electrician only. Fixture is intended for installation in accordance with the National Electrical Code, local and federal code specifications. Disconnect power at electrical panel before servicing. Retain these instructions for maintenance reference.

Wiring Diagram for TECTON C Heads w/ EldoLED Solodrive 360/A Driver



Installation Instructions



Important Preinstallation Note: 4" square welded junction box (30 cu. in. volume) supplied by others. Canopies and suspensions are ordered separately. **Junction boxes should be installed regressed 3/16" into sheetrock ceiling.** For T-bar ceilings use caddy clips by others. Please refer to the approved layout drawings prior to installation, if applicable.

**TECTON HEADS
FACTOR
VIVO MEDIUM**

DO NOT REMOVE THE LED ASSEMBLY. THIS WILL VOID THE WARRANTY. Call Zumtobel at 1-800-448-4131 for questions.



DANGER

RISK OF FIRE AND ELECTRICAL SHOCK

Contact, improper installation, or improper servicing MAY RESULT IN DEATH OR SERIOUS INJURY!



Fixture must be installed by a qualified electrician only. Fixture is intended for installation in accordance with the National Electrical Code, local and federal code specifications. Disconnect power at electrical panel before servicing. Retain these instructions for maintenance reference.

Wiring Diagram for TECTON C Heads w/ OSRAM OT30 Driver

