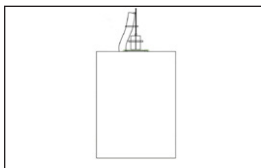


Installation Instructions – CONTINUOUS & INDIVIDUAL

SLOTLIGHT LED II Pendant PD



Important Preinstallation Note: 4" octagonal junction box supplied by others. Canopies and suspensions are supplied, two per individual fixture. Junction box should be installed regressed 3/16" into ceiling. Use plastic gloves when handling fixture. Please refer to the approved layout drawings prior to installation, if applicable.

During initial installation, there is no need to remove the LED geartray. Doing so, or damaging the LED domes during installation, will void the warranty. For servicing the LED board or driver, please see the Maintenance section of these instructions.

Note: For non-dimming installations, simply cap off each of the two control wires separately and connect the hot/neutral and ground as normal.

DANGER

RISK OF FIRE AND ELECTRICAL SHOCK

Contact, improper installation, or improper servicing MAY RESULT IN DEATH OR SERIOUS INJURY!

Fixture must be installed by a qualified electrician only. Fixture is intended for installation in accordance with the National Electrical Code, local and federal code specifications. Disconnect power at electrical panel before servicing. Retain these instructions for maintenance reference.



1 Unpack fixture. Remove fixture from carton. Fixture is shipped pre-assembled.

Do not take out the LED geartrays to install.

Starter fixtures are shipped with an aluminum endcap and supplied with mechanical alignment bars installed and attached to housing, designed to extend into next fixture.

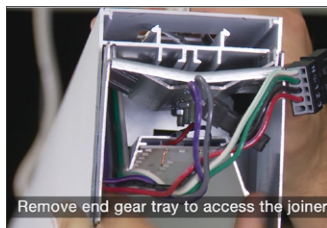
Mid fixtures receives Start or Mid fixture on one end and End or Mid fixture on the other end. Supplied with mechanical alignment bars installed and attached to housing, designed to extend into next fixture.

End fixtures are shipped with an aluminum endcap and designed to receive mechanical alignment bars.

INDIVIDUAL FIXTURES: For all **Individual units** (up to 12ft length) fixture does not need to be dis-assembled. **Individual fixtures** are shipped as complete units and includes aluminum endcaps on both ends.

CONTINUOUS FIXTURES: For **Continuous units**, remove the lens and store in a safe place for later installation.

Remove Gear Tray: Carefully push up on gear tray and squeeze sides inward to remove gear tray from housing, being careful not to bend or damage it.



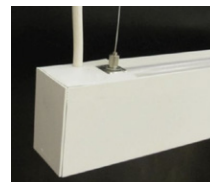
Remove end gear tray to access the joiner

Use quick disconnects to detach wiring between gear tray and fixture. Do not remove LED boards from gear tray. Place in a safe place for reinstallation at a later time.

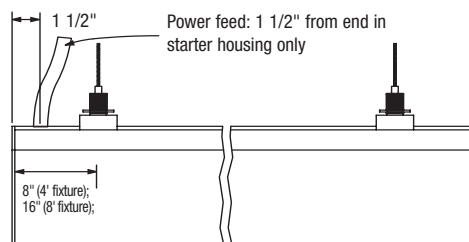
Fixture joiner details in Step 6.

2 Determine spacing for mounting points.

Maximum distance between suspension points not to exceed 8'-0". Recommended distance from end of housing to first or last suspension point: 8" (4' fixture), or 16" (8' fixture)

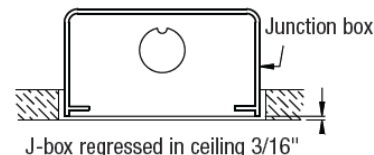


Suspension Detail, Continuous Run Dimensions Shown

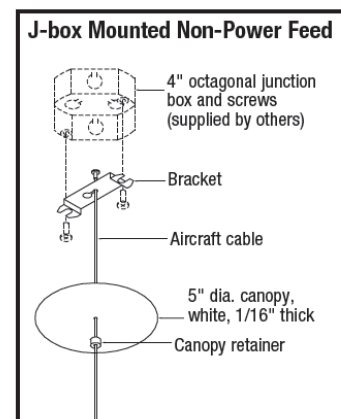
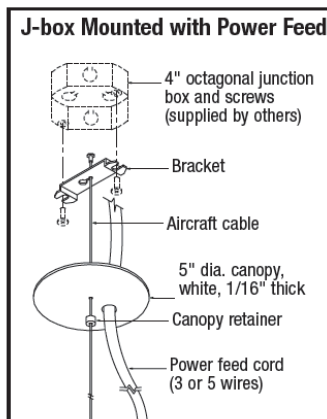


3 Prepare ceiling for junction box and suspension installation, using whichever of the method(s) below that apply to your installation. Fixture weight is 10.0 lbs. per 4' length.

Install junction box (feed or non-feed) at least 3/16" above the finished ceiling surface.

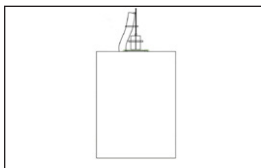


Hang suspension (as shown here)



Installation Instructions – CONTINUOUS & INDIVIDUAL

SLOTLIGHT LED II Pendant PD



Important Preinstallation Note: 4" octagonal junction box supplied by others. Canopies and suspensions are supplied, two per individual fixture. Junction box should be installed regressed 3/16" into ceiling. Use plastic gloves when handling fixture. Please refer to the approved layout drawings prior to installation, if applicable.

During initial installation, there is no need to remove the LED geartray. Doing so, or damaging the LED domes during installation, will void the warranty. For servicing the LED board or driver, please see the Maintenance section of these instructions.

Note: For non-dimming installations, simply cap off each of the two control wires separately and connect the hot/neutral and ground as normal.

DANGER

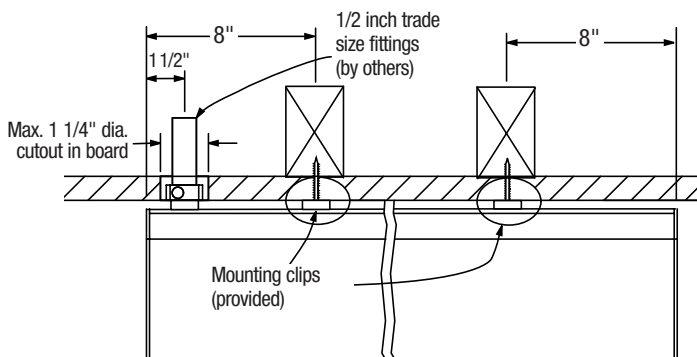


RISK OF FIRE AND ELECTRICAL SHOCK

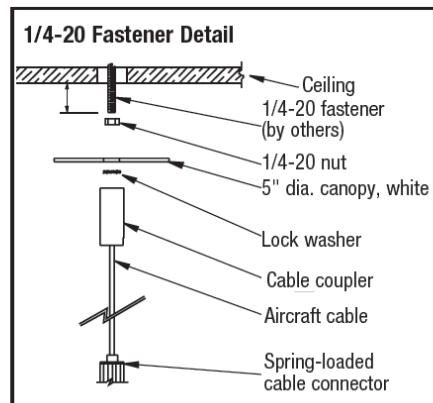
Contact, improper installation, or improper servicing MAY RESULT IN DEATH OR SERIOUS INJURY!

Fixture must be installed by a qualified electrician only. Fixture is intended for installation in accordance with the National Electrical Code, local and federal code specifications. Disconnect power at electrical panel before servicing. Retain these instructions for maintenance reference.

Surface-Mounted Detail, Individual Dimensions Shown



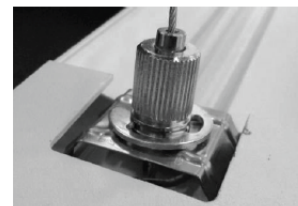
For optional 1/4-20 mounting (non-feed conditions only): Make sure that the stud is at least 1/2" below the ceiling tile.



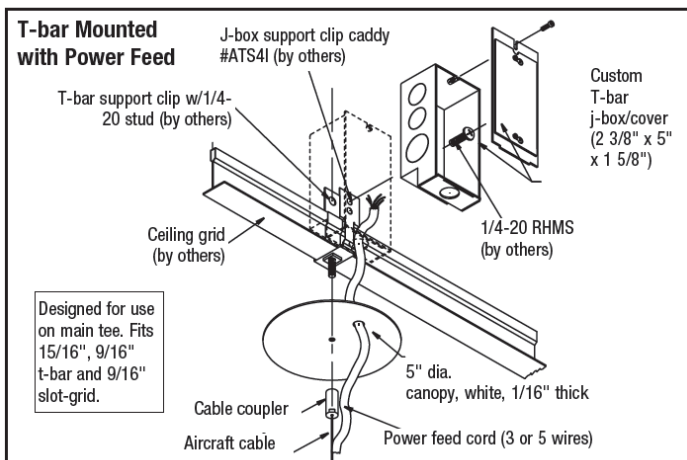
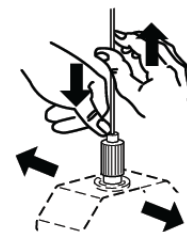
4 Install Individual or Starter fixture.

a. Attach housing to suspensions.

Lift end cover and snap mounting clips at the end of the cable to the top of the housing. Cutout in the end cover sets location of the mounting clip center 3.5" from the edge of the fixture.



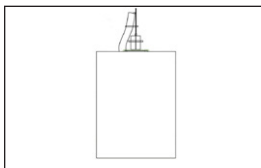
b. Level fixture. Adjust aircraft cable suspension length by pressing the spring-loaded connector and sliding cable to desired length.



5 Install next fixture. For continuous runs, install the second fixture (Mid or End) in the same manner. Ensure that the mounting clips snap in place.

Installation Instructions – CONTINUOUS & INDIVIDUAL

SLOTLIGHT LED II Pendant PD



Important Preinstallation Note: 4" octagonal junction box supplied by others. Canopies and suspensions are supplied, two per individual fixture. Junction box should be installed regressed 3/16" into ceiling. Use plastic gloves when handling fixture. Please refer to the approved layout drawings prior to installation, if applicable.

During initial installation, there is no need to remove the LED geartray. Doing so, or damaging the LED domes during installation, will void the warranty. For servicing the LED board or driver, please see the Maintenance section of these instructions.

Note: For non-dimming installations, simply cap off each of the two control wires separately and connect the hot/neutral and ground as normal.

DANGER

RISK OF FIRE AND ELECTRICAL SHOCK

Contact, improper installation, or improper servicing MAY RESULT IN DEATH OR SERIOUS INJURY!

Fixture must be installed by a qualified electrician only. Fixture is intended for installation in accordance with the National Electrical Code, local and federal code specifications. Disconnect power at electrical panel before servicing. Retain these instructions for maintenance reference.



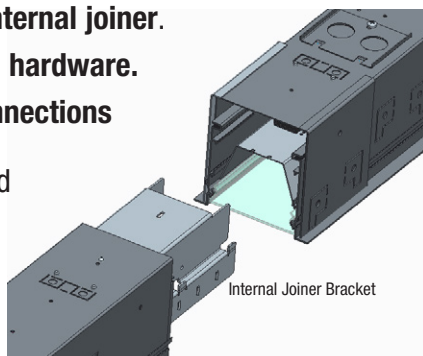
6 Install next fixture and connect together by supplied hardware.

a. Slide fixture over internal joiner.

b. Secure with joining hardware.

c. Make electrical connections

between fixtures using Quick connectors at end of thru wire harness



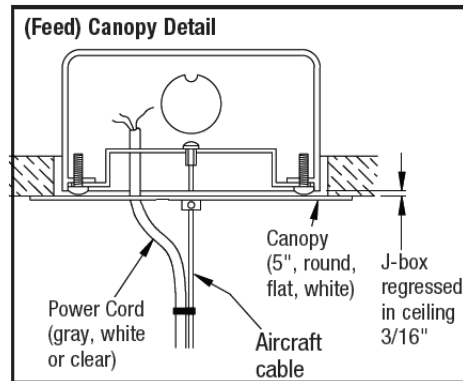
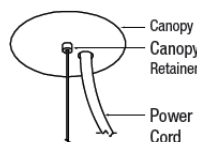
7 Level fixture. Adjust aircraft cable suspension length to ensure fixture is level.

8 Install remaining fixtures. Continue installing all remaining fixtures down the run repeating steps 5, 6 and 7 until all fixtures are installed.

9 Make wiring connections from power cord up to ceiling. Attach canopy ground wire to a suitable point in the junction box, per NEC and local codes.

10 Slide canopy and retainer to cover junction box. Secure set

screw on canopy retainer using 1/16" allen wrench. Repeat for all canopies.



For Pattern Configurations



ALL LENSES FOR PATTERN CONFIGURATIONS ARE SHIPPED OVER SIZE. INSTALLER MUST MAKE FINAL TRIM CUT.

Maintenance -

- 1) Turn off power first!
- 2) Contact Zumtobel at (800) 448-4131

To replace LED boards:

- 1) Zumtobel offers kits to replace the LED boards. Contact Zumtobel.
- 2) Be sure to wear ESD protection!

To replace driver:

- 1) Contact Zumtobel for authorization.
- 2) Be sure to wear ESD protection!

WHEN REPLACING PCB ASSEMBLIES, PLEASE WEAR AN ESD WRIST STRAP AND CONNECT IT TO THE METAL ENCLOSURE.