

# Installation Instructions

## Ondaria 24", 34", 45" Pendant Mounted

**DO NOT REMOVE THE LED ASSEMBLY. THIS WILL VOID THE WARRANTY. Call Zumtobel at 1-800-448-4131 for questions**

### RISK OF FIRE AND ELECTRICAL SHOCK

Contact, improper installation, or improper servicing MAY RESULT IN DEATH OR SERIOUS INJURY! Fixture must be installed by a qualified electrician only. Fixture is intended for installation in accordance with the National Electrical Code, local and federal code specifications. Disconnect power at electrical panel before servicing. Retain these instructions for maintenance reference.

### ADVERTENCIA: Riesgo de incendio o impacto eléctrico.

Conexión, instalación inapropiada o servicio incorrecto PUEDE CAUSAR MUERTE O HERIDAS GRAVES. La luminaria debe ser instalada únicamente por un eléctrico calificado. La luminaria debe instalarse de acuerdo al Norma eléctrica nacional, al igual que especificaciones locales y normas federales. Se debe desconectar la corriente eléctrica antes de realizar la mantención. Conservar estas instrucciones como referencia para futuras mantenciones.

### ATTENTION : RISQUE D'INCENDIE ET D'ELECTROCUTION.

Une installation, un entretien ou un contact physique non conforme pourraient mener à un DANGER DE MORT OU DE BLESSURE GRAVE! L'appareil doit être installé uniquement par un électricien professionnel qualifié. L'installation doit respecter le code électrique national de même que les lois locales et fédérales en vigueur. Veuillez fermer l'alimentation électrique au panneau principal avant tout entretien. Conservar ces instructions pour référence et tout entretien futur.

**Important Preinstallation Note:** These instructions are for sheetrock ceilings only

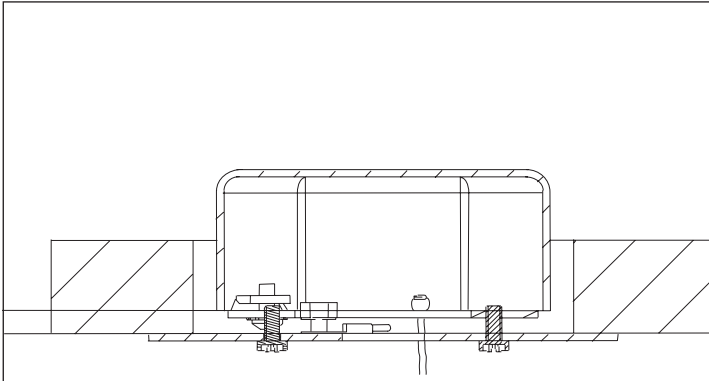
**The following installation instructions relate to the options below**

# Installation Instructions

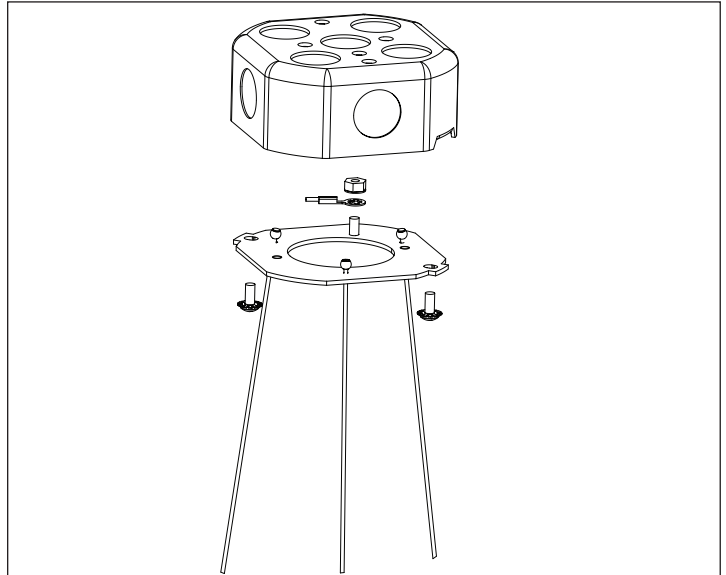
## Ondaria 24", 34", 45" Pendant Mounted

**DO NOT REMOVE THE LED ASSEMBLY. THIS WILL VOID THE WARRANTY. Call Zumtobel at 1-800-448-4131 for questions**

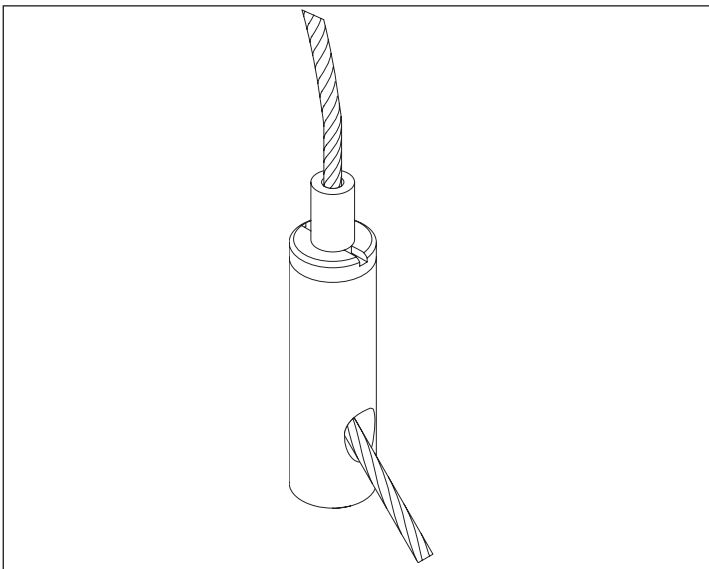
### Standard Installation, Single Point



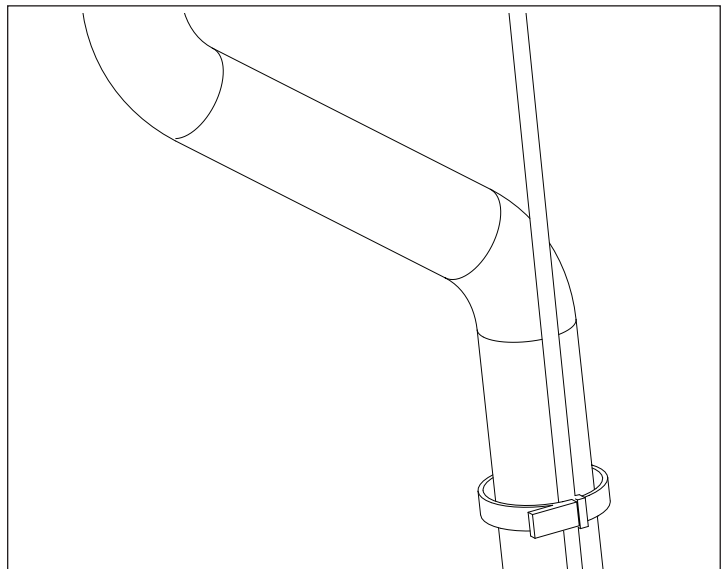
**1 Install** 4" x 4" octagonal junction box. Mount junction box regressed 3/16" above ceiling.



**2 Run suspension cables** into holes of the mounting plate and screw to the junction box. Power cord feeds through hole in center of the support plate.



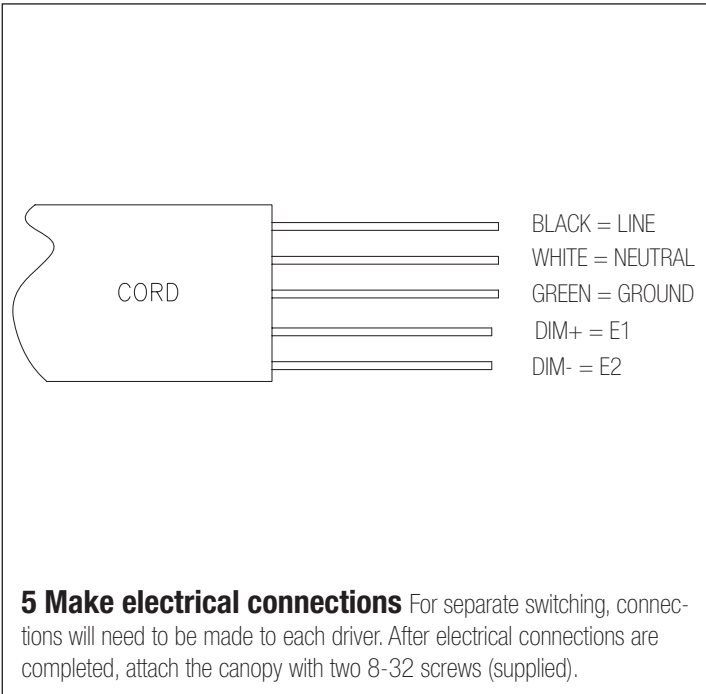
**3 Mount fixture** Run suspension cables through holes in the canopy and through the holes in the 1/4-20 cable couplers. Canopy cutout must coincide with feed side. Adjust fixture mounting height.



**4 Determine Cord Length** Follow cable path to junction box through the canopy. Secure cord to cable using wire ties, for strain relief. Remove excess cord with wire cutters, leaving enough for wiring.

**DO NOT REMOVE THE LED ASSEMBLY. THIS WILL VOID THE WARRANTY. Call Zumtobel at 1-800-448-4131 for questions**

## Standard Installation, Single Point (continued)



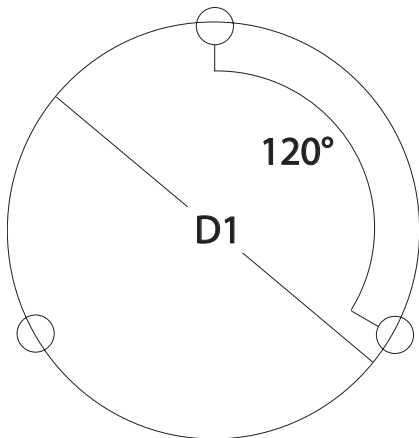
# Installation Instructions

# Ondaria

24", 34", 45"  
Pendant Mounted

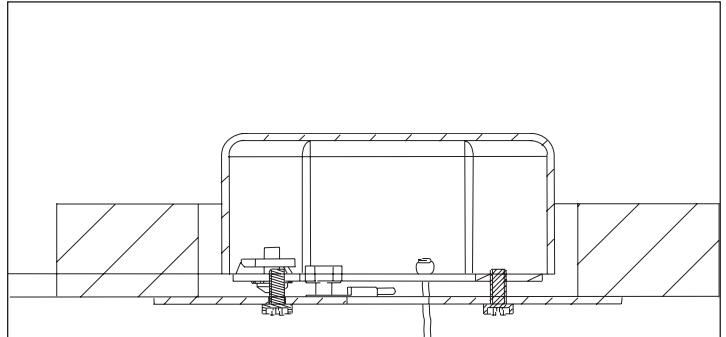
**DO NOT REMOVE THE LED ASSEMBLY. THIS WILL VOID THE WARRANTY. Call Zumtobel at 1-800-448-4131 for questions**

## Standard Installation, Three Point

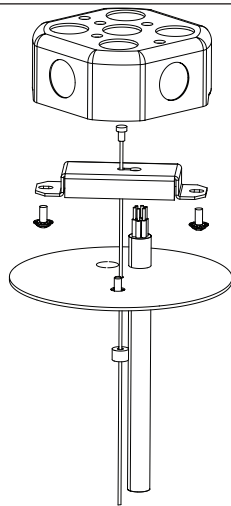


fixture size	24"	34"	45"
D1	16-3/4"	16-3/4"	20-3/4"

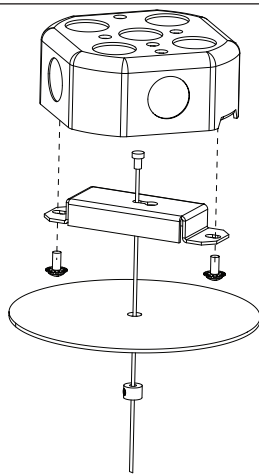
**1 Prepare ceiling** Mark position of mounting. Cut 4-1/8" diameter round holes, for each of the three 4"x4" octagonal junction boxes, spaced equally (120 degrees apart), around fixture diameter, D1 (see table)



**2 Install** 4" x 4" octagonal junction box. Mount junction box regressed 3/16" above ceiling.

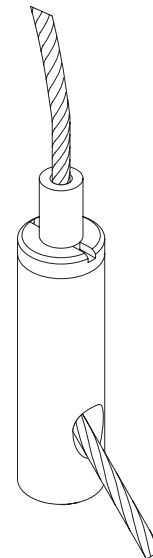


feed junction box



non-feed junction box

**3 Run suspension cables** through holes in the canopies and mounting plates and affix mounting plates to junction boxes with two 8-32 screws, at each of the three locations.



**4 Mount fixture** run suspension cables through the holes in each of the 1/4-20 cable couplers. Adjust fixture mounting height.

**DO NOT REMOVE THE LED ASSEMBLY. THIS WILL VOID THE WARRANTY. Call Zumtobel at 1-800-448-4131 for questions**

## Standard Installation, Three Point (continued)

