

Installation Instructions

Ondaria 24", 34", 45" Recessed Mounted



DO NOT REMOVE THE LED ASSEMBLY. THIS WILL VOID THE WARRANTY. Call Zumtobel at 1-800-448-4131 for questions

RISK OF FIRE AND ELECTRICAL SHOCK

Contact, improper installation, or improper servicing MAY RESULT IN DEATH OR SERIOUS INJURY! Fixture must be installed by a qualified electrician only. Fixture is intended for installation in accordance with the National Electrical Code, local and federal code specifications. Disconnect power at electrical panel before servicing. Retain these instructions for maintenance reference.

ADVERTENCIA: Riesgo de incendio o impacto eléctrico.

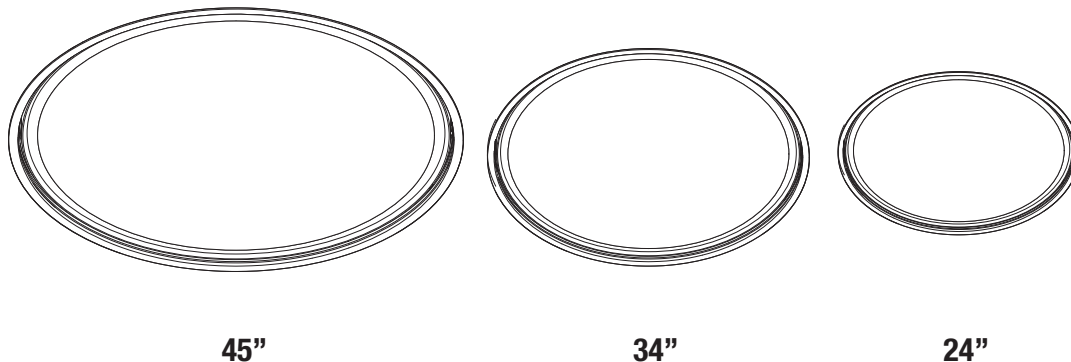
Conexión, instalación inapropiada o servicio incorrecto PUEDE CAUSAR MUERTE O HERIDAS GRAVES. La luminaria debe ser instalada únicamente por un eléctrico calificado. La luminaria debe instalarse de acuerdo al Norma eléctrica nacional, al igual que especificaciones locales y normas federales. Se debe desconectar la corriente eléctrica antes de realizar la mantención. Conservar estas instrucciones como referencia para futuras mantenciones.

ATTENTION : RISQUE D'INCENDIE ET D'ELECTROCUTION.

Une installation, un entretien ou un contact physique non conforme pourraient mener à un DANGER DE MORT OU DE BLESSURE GRAVE! L'appareil doit être installé uniquement par un électricien professionnel qualifié. L'installation doit respecter le code électrique national de même que les lois locales et fédérales en vigueur. Veuillez fermer l'alimentation électrique au panneau principal avant tout entretien. Conservar ces instructions pour référence et tout entretien futur.

Important Preinstallation Note: These instructions are for sheetrock ceilings only.

The following installation instructions relate to the options below



Installation Instructions

Ondaria

24", 34", 45"
Recessed Mounted



DO NOT REMOVE THE LED ASSEMBLY. THIS WILL VOID THE WARRANTY. Call Zumtobel at 1-800-448-4131 for questions

Standard Installation

	X	Y
24"	24-1/4	22-1/8
34"	35-1/4	33-1/8
45"	46-1/4	44-1/8

1 Make ceiling cutout as per dimensions. Mark circle on upper section of ceiling as per dimensions.

2 Mark positions on upper ceiling, 120 degrees apart. Drill holes in these positions.

Screw and anchor not included)

3 Attach one end of connector to upper section of ceiling with anchor.
4 Thread cable through other end of connector, then connect the two ends.

5 Install trim ring to ceiling cutout, using recessed housing support springs. Listen to make sure it clicks into place.

Number of support springs needed	
24"	6
34"	9
45"	12

Installation Instructions

Ondaria 24", 34", 45" Recessed Mounted

DO NOT REMOVE THE LED ASSEMBLY. THIS WILL VOID THE WARRANTY. Call Zumtobel at 1-800-448-4131 for questions

Standard Installation (continued)

