

DO NOT REMOVE THE LED ASSEMBLY. THIS WILL VOID THE WARRANTY. Call Zumtobel at 1-800-448-4131 for questions

RISK OF FIRE AND ELECTRICAL SHOCK

Contact, improper installation, or improper servicing MAY RESULT IN DEATH OR SERIOUS INJURY! Fixture must be installed by a qualified electrician only. Fixture is intended for installation in accordance with the National Electrical Code, local and federal code specifications. Disconnect power at electrical panel before servicing. Retain these instructions for maintenance reference.

ADVERTENCIA: Riesgo de incendio o impacto eléctrico.

Conexión, instalación inapropiada o servicio incorrecto PUEDE CAUSAR MUERTE O HERIDAS GRAVES. La luminaria debe ser instalada únicamente por un eléctrico calificado. La luminaria debe instalarse de acuerdo al Norma eléctrica nacional, al igual que especificaciones locales y normas federales. Se debe desconectar la corriente eléctrica antes de realizar la mantención. Conservar estas instrucciones como referencia para futuras mantenciones.

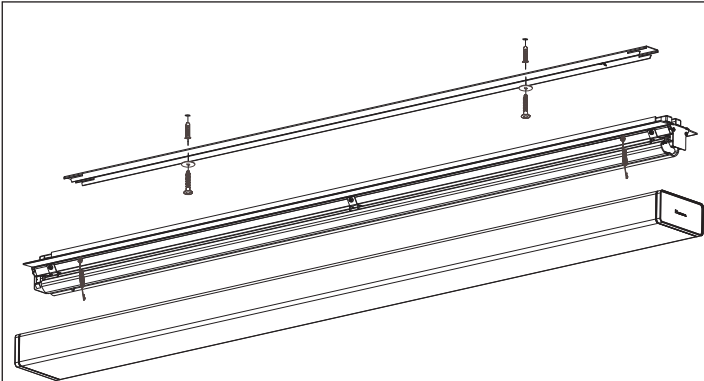
ATTENTION : RISQUE D'INCENDIE ET D'ELECTROCUTION.

Une installation, un entretien ou un contact physique non conforme pourraient mener à un DANGER DE MORT OU DE BLESSURE GRAVE! L'appareil doit être installé uniquement par un électricien professionnel qualifié. L'installation doit respecter le code électrique national de même que les lois locales et fédérales en vigueur. Veuillez fermer l'alimentation électrique au panneau principal avant tout entretien. Conservar ces instructions pour référence et tout entretien futur.

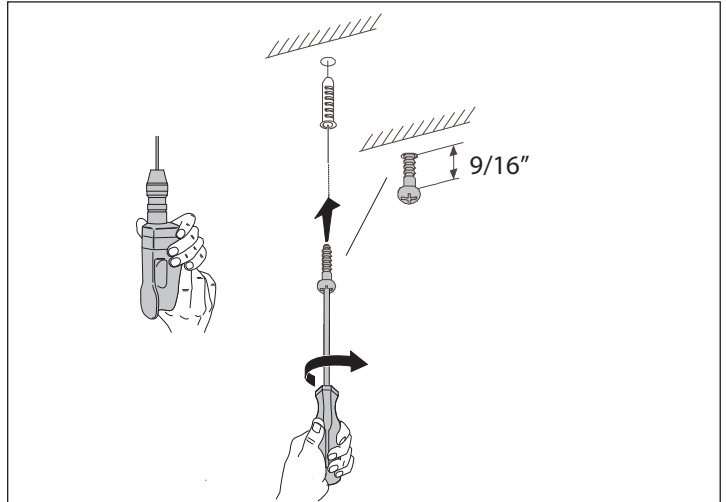
The following installation instructions relate to the options below

DO NOT REMOVE THE LED ASSEMBLY. THIS WILL VOID THE WARRANTY. Call Zumtobel at 1-800-448-4131 for questions

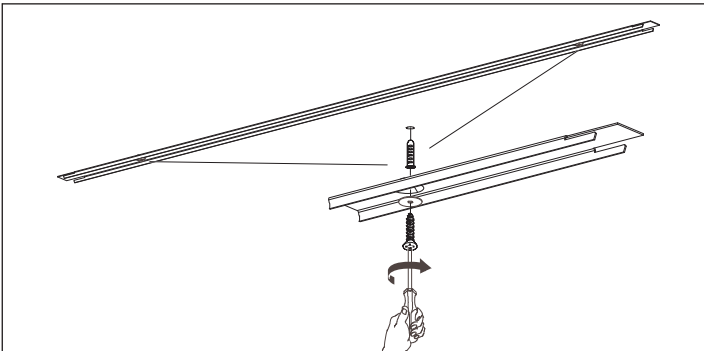
Standard Installation



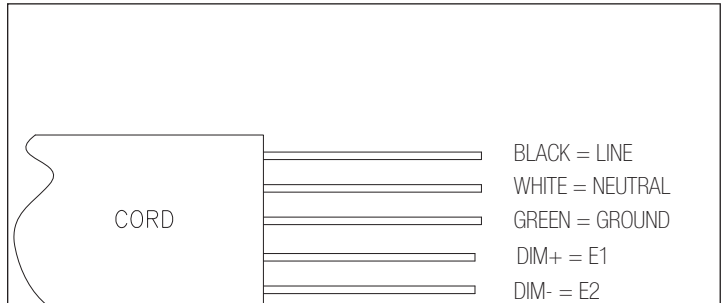
1 Unpack fixture and disassemble for installation Fixture is shipped fully assembled.



2 Mark on the ceiling the position of the screws with a pencil.
3 Drill holes into positions marked on the ceiling. Insert screws and screw anchors, leaving a space of 9/16".



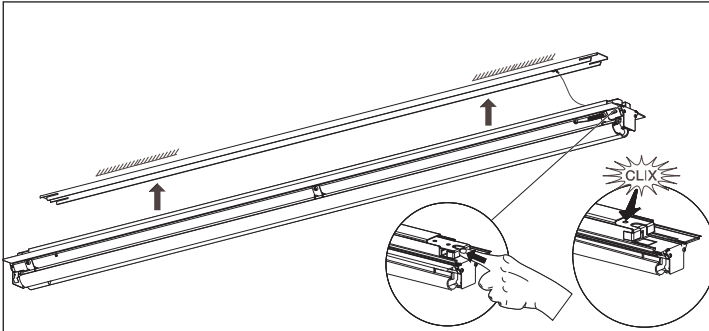
4 Mount fixture Raise surface mount tray against ceiling. Align fixture mounting holes to mounting screws. Position washer under screw head. Tighten screws to secure in place.



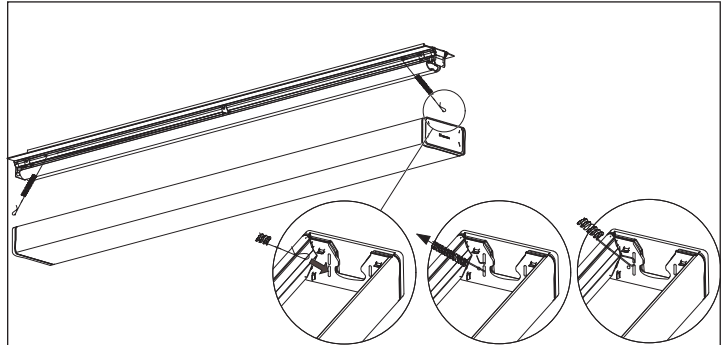
5 Make electrical connections Remove junction box cover. Install power whip/flex (by others) to junction box cover. Complete wiring and reinstall cover.

DO NOT REMOVE THE LED ASSEMBLY. THIS WILL VOID THE WARRANTY. Call Zumtobel at 1-800-448-4131 for questions

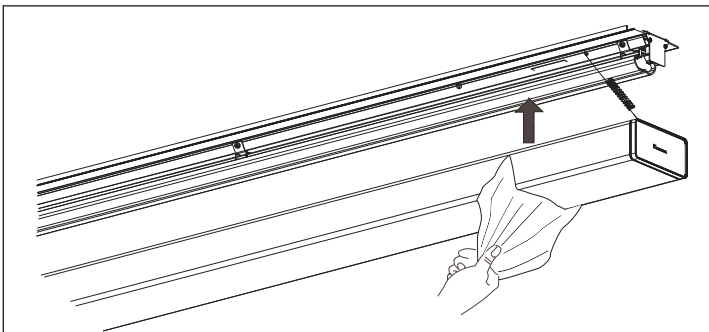
Standard Installation (continued)



6 Attach fixture to surface mount tray Push the cover slide latch to ensure that fixture is securely connected



7 Hang fixture cover from fixture with springs.



8 Lift fixture cover into place. listen for clicking sound to ensure cover is securely in place.

9 Remove plastic cover from fixture.