

# Installation Instructions - INDIVIDUAL & CONTINUOUS



## MPO LINEAR for TECTON SYSTEM

**DO NOT REMOVE THE LED ASSEMBLY. THIS WILL VOID THE WARRANTY. Call Zumtobel at 1-800-448-4131 for questions**



### DANGER



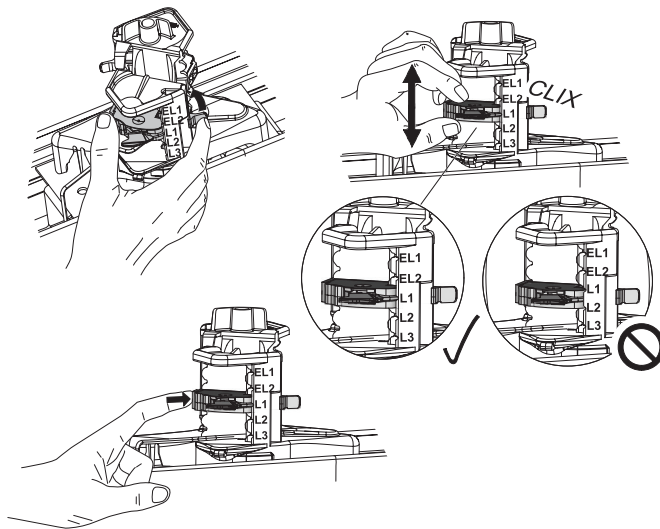
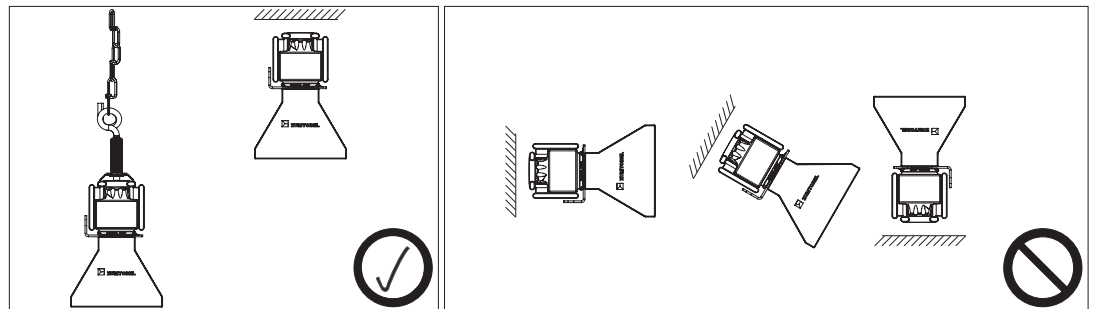
#### RISK OF FIRE AND ELECTRICAL SHOCK

Contact, improper installation, or improper servicing MAY RESULT IN DEATH OR SERIOUS INJURY!

Fixture must be installed by a qualified electrician only. Fixture is intended for installation in accordance with the National Electrical Code, local and federal code specifications. Disconnect power at electrical panel before servicing. Retain these instructions for maintenance reference.

**1. Unpack fixture.** TECTON LINEAR trunking system ordered and packaged separately.

**2. Mount TECTON LINEAR trunking system** as described in trunking system for TECTON LINEAR installation instructions. See figure below for allowed mounting options.



**3. Move** the circuit choice to the desired position.

# Installation Instructions



MPO LINEAR  
for  
TECTON SYSTEM

**DO NOT REMOVE THE LED ASSEMBLY. THIS WILL VOID THE WARRANTY. Call Zumtobel at 1-800-448-4131 for questions**



**DANGER**

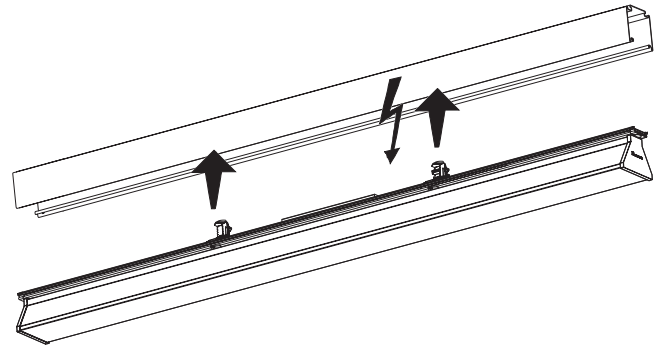
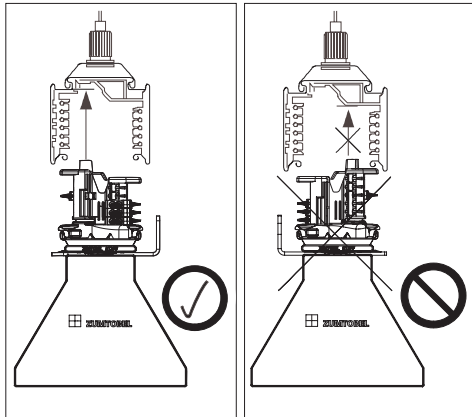


## RISK OF FIRE AND ELECTRICAL SHOCK

Contact, improper installation, or improper servicing  
MAY RESULT IN DEATH OR SERIOUS INJURY!

Fixture must be installed by a qualified electrician only.  
Fixture is intended for installation in accordance with  
the National Electrical Code, local and federal code  
specifications. Disconnect power at electrical panel  
before servicing. Retain these instructions for  
maintenance reference.

**4. Link fixture** to trunking system as shown below. Fixture  
must be inserted in the proper orientation.



**5. Slide locks** to ensure the fixture is secured in place.

