

Installation Instructions

MLIV 1'X4', 2'X2' Recessed LED Fixtures Accessible (Lay-In/Slot-Grid)

DO NOT REMOVE THE LED ASSEMBLY. THIS WILL VOID THE WARRANTY. Call Zumtobel at 1-800-448-4131 for questions

RISK OF FIRE AND ELECTRICAL SHOCK

Contact, improper installation, or improper servicing MAY RESULT IN DEATH OR SERIOUS INJURY! Fixture must be installed by a qualified electrician only. Fixture is intended for installation in accordance with the National Electrical Code, local and federal code specifications. Disconnect power at electrical panel before servicing. Retain these instructions for maintenance reference.

ADVERTENCIA: RIESGO DE INCENDIO O IMPACTO ELÉCTRICO

Conexión, instalación inapropiada o servicio incorrecto PUEDE CAUSAR MUERTE O HERIDAS GRAVES. La luminaria debe ser instalada únicamente por un eléctrico calificado. La luminaria debe instalarse de acuerdo al Norma eléctrica nacional, al igual que especificaciones locales y normas federales. Se debe desconectar la corriente eléctrica antes de realizar la mantención. Conservar estas instrucciones como referencia para futuras mantenciones.

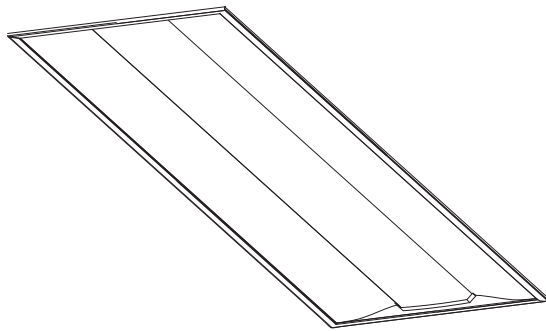
ATTENTION : RISQUE D'INCENDIE ET D'ELECTROCUTION

Une installation, un entretien ou un contact physique non conforme pourraient mener à un DANGER DE MORT OU DE BLESSURE GRAVE! L'appareil doit être installé uniquement par un électricien professionnel qualifié. L'installation doit respecter le code électrique national de même que les lois locales et fédérales en vigueur. Veuillez fermer l'alimentation électrique au panneau principal avant tout entretien. Conservar ces instructions pour référence et tout entretien futur.

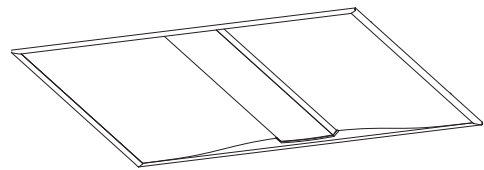
Note: National or municipal codes must be followed regarding fixture installation and set back of thermal insulating material from luminaire. As a guideline, any insulation material must be held away from the luminaire by a minimum of 3". Fixtures are not designed for direct contact with thermal insulation.

Important Preinstallation Note: These instructions are for accessible ceilings (lay-in and slot-grid). For other ceiling conditions, consult factory. Handle fixture by sheet metal sides only.

Below instructions and images are valid for both 1'x4' and 2'x2' sized fixtures



Recessed Mounted MLIV 1'X4'



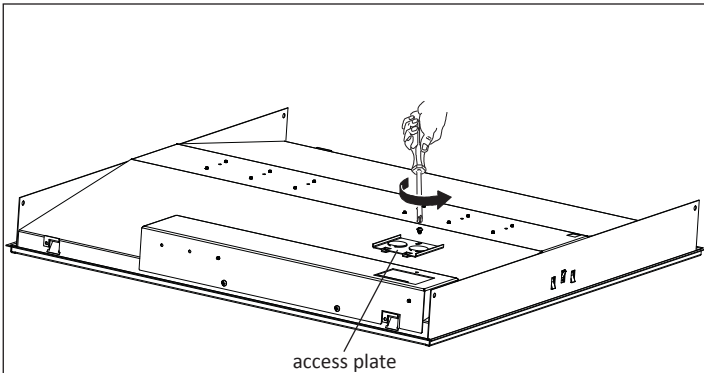
Recessed Mounted MLIV 2'X2'

Not included: Junction box, whip flex

Installation Instructions

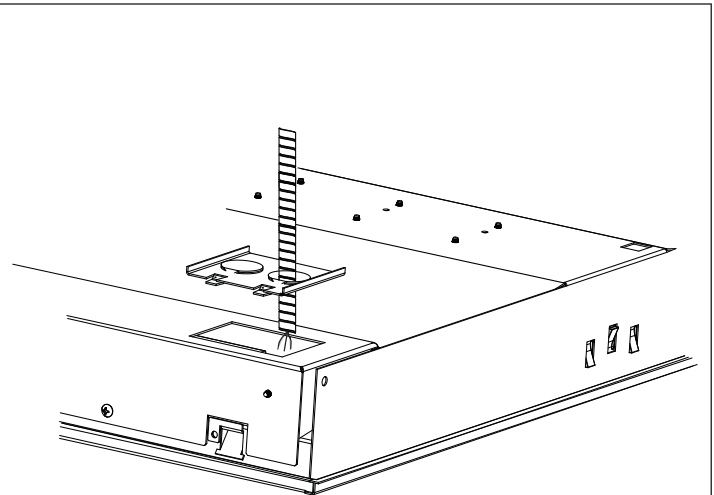
MLIV 1'X4', 2'X2' Recessed LED Fixtures Accessible (Lay-In/Slot-Grid)

DO NOT REMOVE THE LED ASSEMBLY. THIS WILL VOID THE WARRANTY. Call Zumtobel at 1-800-448-4131 for questions

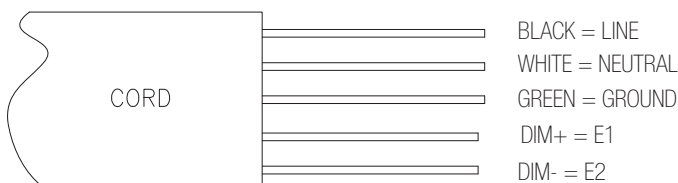


1 Unpack fixture Fixture shipped fully-assembled. Handle fixture by sheet metal sides only. Do not handle acrylic panels or diffuser assembly during installation.

2 Remove access plate from top of housing. Remove # 6 screw from access plate, and lift access plate from slot.



3 Connect whip flex through knockout in access plate 3/8" (7/8" diameter). (Flexible conduit or cable accessories by others.)



4 Make electrical connections through access plate. For standard installation, see left figure, For EM installation, see right figure. Reinstall access plate in housing. Make sure wires do not get caught between plate and housing. Tighten screw. Replace adjacent ceiling tile.

Installation Instructions

MLIV 1'X4', 2'X2' Recessed LED Fixtures Accessible (Lay-In/Slot-Grid)

DO NOT REMOVE THE LED ASSEMBLY. THIS WILL VOID THE WARRANTY. Call Zumtobel at 1-800-448-4131 for questions

