

ONDARIA 24", 34", 45" Surface Mounted

DO NOT REMOVE THE LED ASSEMBLY. THIS WILL VOID THE WARRANTY. CALL ZUMTOBEL AT 1-800-448-4131 FOR QUESTIONS.

RISK OF FIRE AND ELECTRICAL SHOCK

Contact, improper installation, or improper servicing MAY RESULT IN DEATH OR SERIOUS INJURY! Fixture must be installed by a qualified electrician only. Fixture is intended for installation in accordance with the National Electrical Code, local and federal code specifications. Disconnect power at electrical panel before servicing. Retain these instructions for maintenance reference.

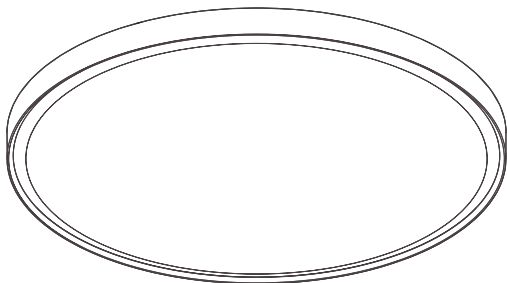
ADVERTENCIA: RIESGO DE INCENDIO O IMPACTO ELÉCTRICO

Conexión, instalación inapropiada o servicio incorrecto PUEDE CAUSAR MUERTE O HERIDAS GRAVES. La luminaria debe ser instalada únicamente por un eléctrico calificado. La luminaria debe instalarse de acuerdo al Norma eléctrica nacional, al igual que especificaciones locales y normas federales. Se debe desconectar la corriente eléctrica antes de realizar la mantención. Conservar estas instrucciones como referencia para futuras mantenciones.

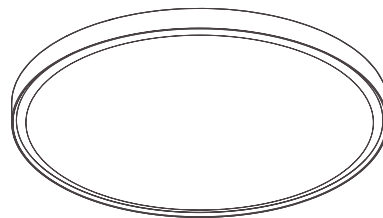
ATTENTION: RISQUE D'INCENDIE ET D'ELECTROCUTION

Une installation, un entretien ou un contact physique non conforme pourraient mener à un DANGER DE MORT OU DE BLESSURE GRAVE! L'appareil doit être installé uniquement par un électricien professionnel qualifié. L'installation doit respecter le code électrique national de même que les lois locales et fédérales en vigueur. Veuillez fermer l'alimentation électrique au panneau principal avant tout entretien. Conservier ces instructions pour référence et tout entretien futur.

The following installation instructions relate to the options below



45"



34"



24"

ONDARIA 24", 34", 45" Surface Mounted

DO NOT REMOVE THE LED ASSEMBLY. THIS WILL VOID THE WARRANTY. CALL ZUMTOBEL AT 1-800-448-4131 FOR QUESTIONS.

GRID INSTALLATION

1 Make Ceiling Cutout and drill holes using the cardboard guide included in the fixture.

2 Assemble Mounting Kit Attach right-angle bracket onto the mounting bars.

| | A | B |
|-----|---------|---------|
| 24" | 10-5/8" | 12-1/4" |
| 34" | 10-5/8" | 12-1/4" |
| 45" | 13-5/8" | 15-5/8" |

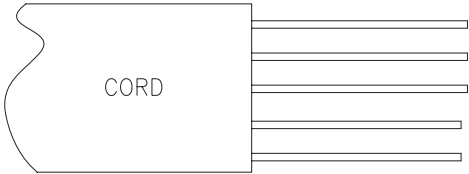
3 Working Through Opening in adjacent tile, install mounting bars onto ceiling grid, ensuring that the bars line up properly with the drilled holes.

4 Attach Back Plate to ceiling tile, using supplied bolts to hold it in place. Replace the ceiling tile with the back plate installed.

ONDARIA 24", 34", 45" Surface Mounted

DO NOT REMOVE THE LED ASSEMBLY. THIS WILL VOID THE WARRANTY. CALL ZUMTOBEL AT 1-800-448-4131 FOR QUESTIONS.

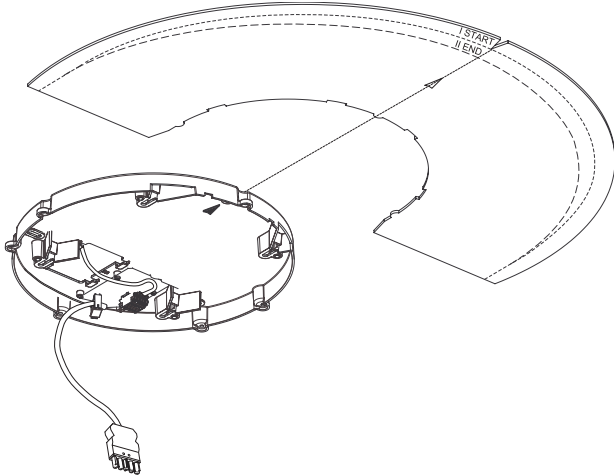
GRID INSTALLATION (CONTINUED)



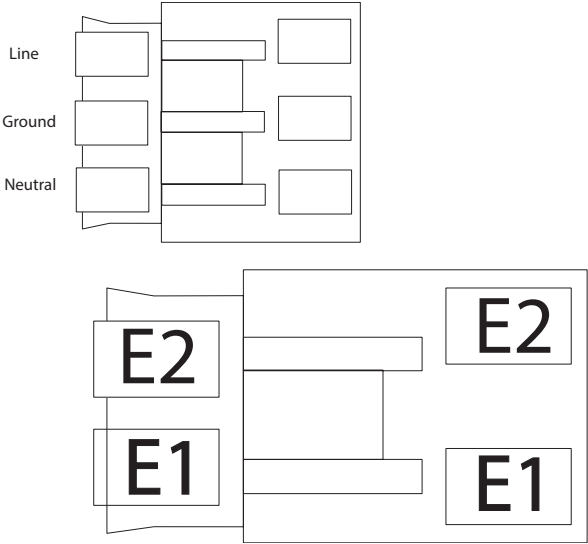
CORD

- BLACK = LINE
- WHITE = NEUTRAL
- GREEN = GROUND
- DIM+ = E1
- DIM- = E2

5 Make Electrical Connections.



6 Remove the Inner Circle from the mounting template, and use the outer circle as a guiding template. The arrow on the back plate should line up with the arrow on the guiding template.



Line

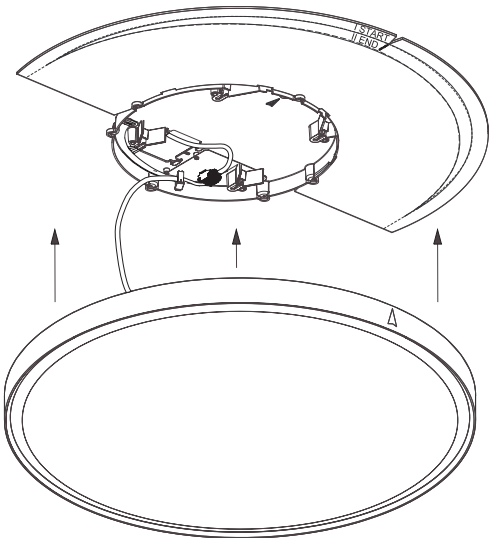
Ground

Neutral

E2

E1

7 Finish Making the Electrical Connections by connecting the quick disconnect to the luminaire, using the 3 pole connector for non-dimming applications, and the 2 pole connector for dimming applications. One person should hold the luminaire, while the another finishes making the connections.

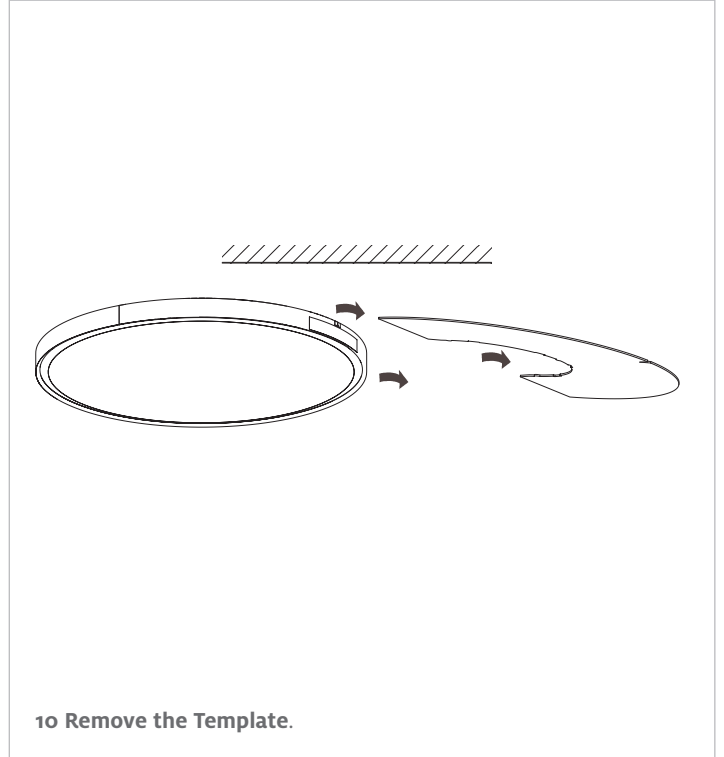
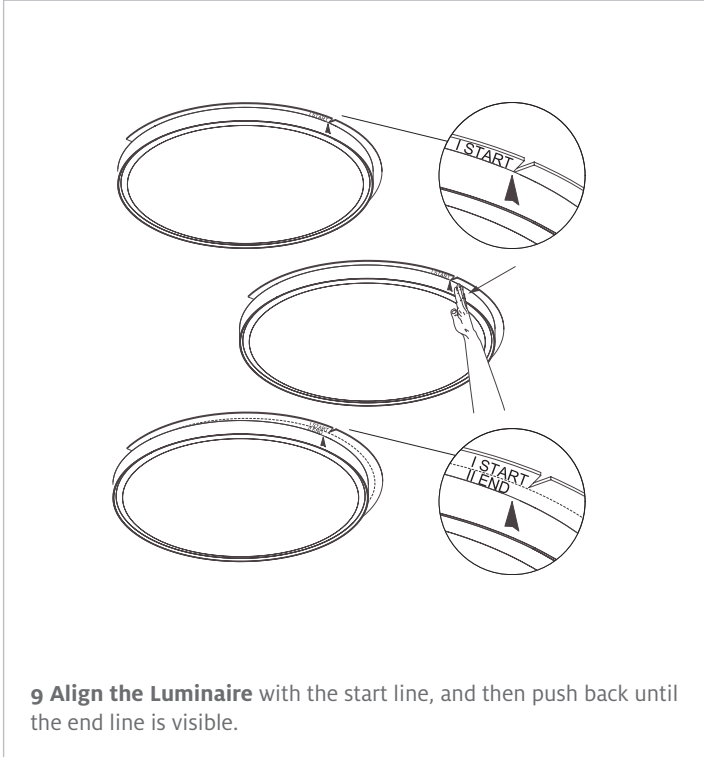


8 Lift the Luminaire against the ceiling. Align mushroom nuts with the slots in the back plate. NOTE: During installation, DO NOT press on lens. Only support unit by outer ring.

ONDARIA 24", 34", 45" Surface Mounted

DO NOT REMOVE THE LED ASSEMBLY. THIS WILL VOID THE WARRANTY. CALL ZUMTOBEL AT 1-800-448-4131 FOR QUESTIONS.

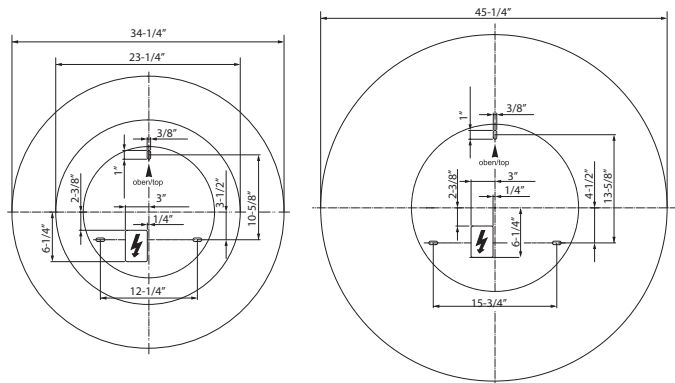
GRID INSTALLATION (CONTINUED)



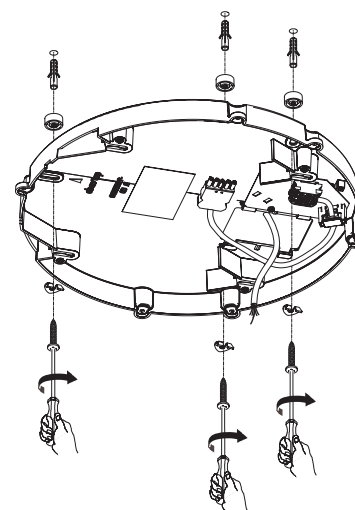
ONDARIA 24", 34", 45" Surface Mounted

DO NOT REMOVE THE LED ASSEMBLY. THIS WILL VOID THE WARRANTY. CALL ZUMTOBEL AT 1-800-448-4131 FOR QUESTIONS.

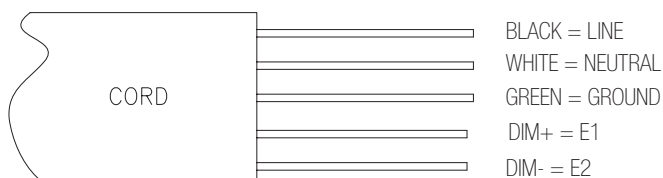
SHEETROCK INSTALLATION



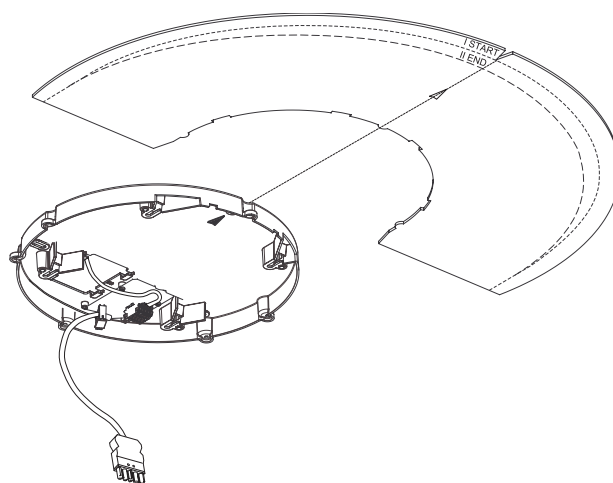
1 Drill Holes in Ceiling, using the supplied cardboard mounting template as a guide. Insert screws, making sure to use distance pieces. Do not position screws flush against the ceiling.



2 Mount the Back Plate through the screws. Use washers to hold the plate in place, then tighten screws. Screws and anchors not supplied. Screw must be 5/16" (8mm) minimum head diameter with 3/16" (5.3mm) maximum threaded diameter.



3 Make Electrical Connections as shown above.



4 Remove the Inner Circle from the mounting template, and use the outer circle as a guiding template. The arrow on the back plate should line up with the arrow on the guiding template.

ONDARIA 24", 34", 45" Surface Mounted

DO NOT REMOVE THE LED ASSEMBLY. THIS WILL VOID THE WARRANTY. CALL ZUMTOBEL AT 1-800-448-4131 FOR QUESTIONS.

SHEETROCK INSTALLATION (CONTINUED)

The diagram illustrates the electrical wiring connections. On the left, three wires are labeled 'Line', 'Ground', and 'Neutral'. These wires connect to a central terminal block. On the right, there are two terminal blocks labeled 'E2' and 'E1'. The 'Line' wire connects to the top terminal of the 'E2' block. The 'Ground' wire connects to the middle terminal of the 'E2' block. The 'Neutral' wire connects to the bottom terminal of the 'E2' block. The 'E1' block is shown below the 'E2' block, with its terminals also connected to the central terminal block.

5 Finish Making the Electrical Connections between driver and terminal block, using the 3 pole connector for non-dimming applications, and the 2 pole connector for dimming applications. One person should hold the luminaire, while the another makes the connections.

The diagram shows the luminaire being lifted towards the ceiling. The luminaire is shown in a perspective view, with its internal components visible. Three upward-pointing arrows indicate the direction of movement. A label 'START / END' is visible on the luminaire's frame.

6 Lift the Luminaire against the ceiling.

The diagram shows the luminaire being aligned with the start and end lines on the ceiling. The luminaire is shown in a perspective view, with its internal components visible. Two circular callouts show close-up views of the luminaire's frame. The top callout shows the 'START' line, and the bottom callout shows the 'END' line. A hand is shown pushing the luminaire back until the end line is visible.

7 Align the Luminaire with the start line, and then push back until the end line is visible.

The diagram shows the template being removed from the luminaire. The luminaire is shown in a perspective view, with its internal components visible. A hatched area represents the template. Arrows indicate the direction of movement for removing the template.

8 Remove the Template.