

### ONDARIA 24", 34", 45" Pendant Mounted

DO NOT REMOVE THE LED ASSEMBLY. THIS WILL VOID THE WARRANTY. CALL ZUMTOBEL AT 1-800-448-4131 FOR QUESTIONS.

#### RISK OF FIRE AND ELECTRICAL SHOCK

Contact, improper installation, or improper servicing MAY RESULT IN DEATH OR SERIOUS INJURY! Fixture must be installed by a qualified electrician only. Fixture is intended for installation in accordance with the National Electrical Code, local and federal code specifications. Disconnect power at electrical panel before servicing. Retain these instructions for maintenance reference.

#### ADVERTENCIA: RIESGO DE INCENDIO O IMPACTO ELÉCTRICO

Conexión, instalación inapropiada o servicio incorrecto PUEDE CAUSAR MUERTE O HERIDAS GRAVES. La luminaria debe ser instalada únicamente por un eléctrico calificado. La luminaria debe instalarse de acuerdo al Norma eléctrica nacional, al igual que especificaciones locales y normas federales. Se debe desconectar la corriente eléctrica antes de realizar la mantención. Conservar estas instrucciones como referencia para futuras mantenciones.

#### ATTENTION: RISQUE D'INCENDIE ET D'ELECTROCUTION

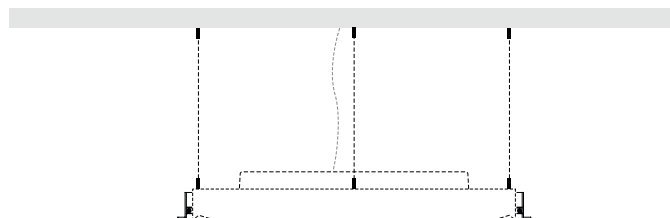
Une installation, un entretien ou un contact physique non conforme pourraient mener à un DANGER DE MORT OU DE BLESSURE GRAVE! L'appareil doit être installé uniquement par un électricien professionnel qualifié. L'installation doit respecter le code électrique national de même que les lois locales et fédérales en vigueur. Veuillez fermer l'alimentation électrique au panneau principal avant tout entretien. Conservar ces instructions pour référence et tout entretien futur.

#### IMPORTANT PREINSTALLATION NOTE

These instructions are for sheetrock ceilings only.

*The following installation instructions relate to the options below*

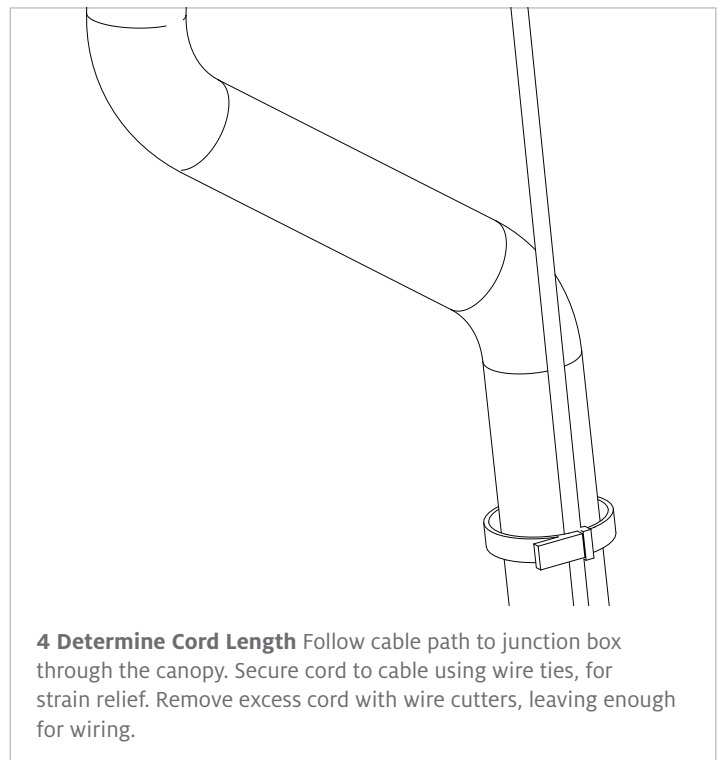
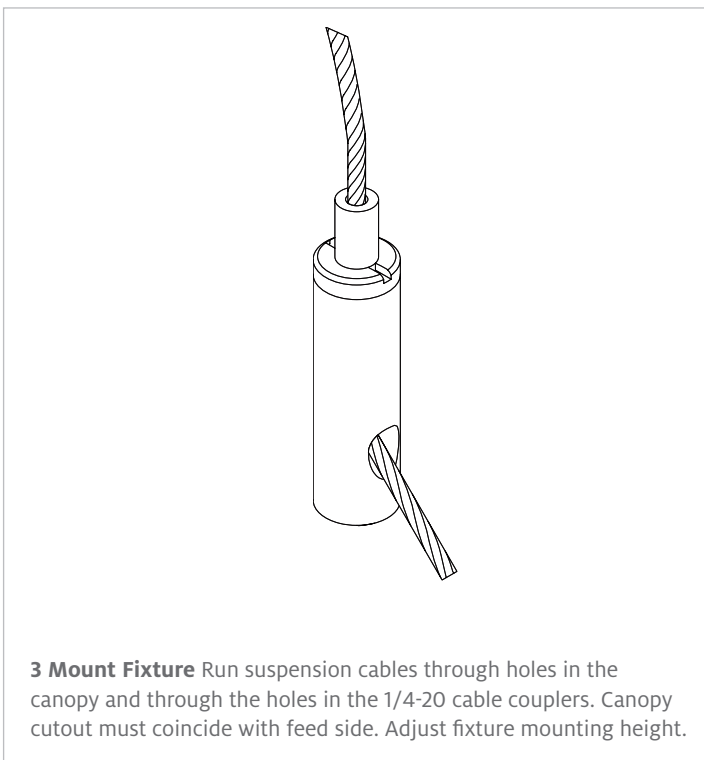
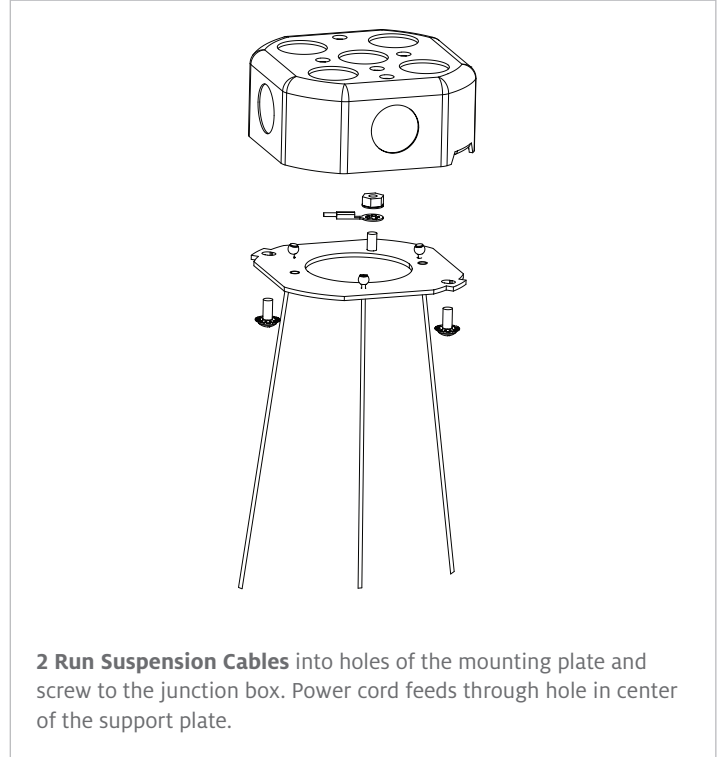
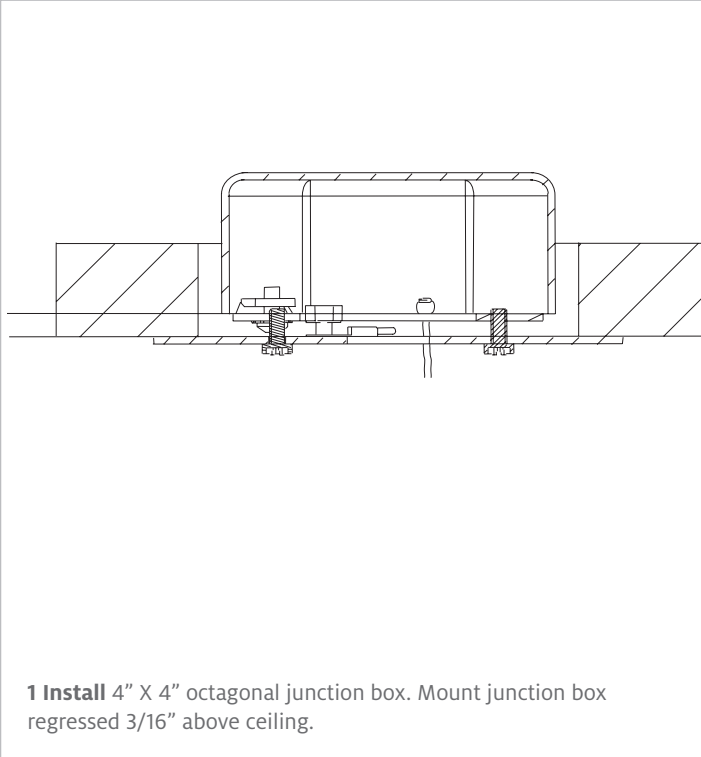
#### Three Points, Three Cables



ONDARIA 24", 34", 45" Pendant Mounted

DO NOT REMOVE THE LED ASSEMBLY. THIS WILL VOID THE WARRANTY. CALL ZUMTOBEL AT 1-800-448-4131 FOR QUESTIONS.

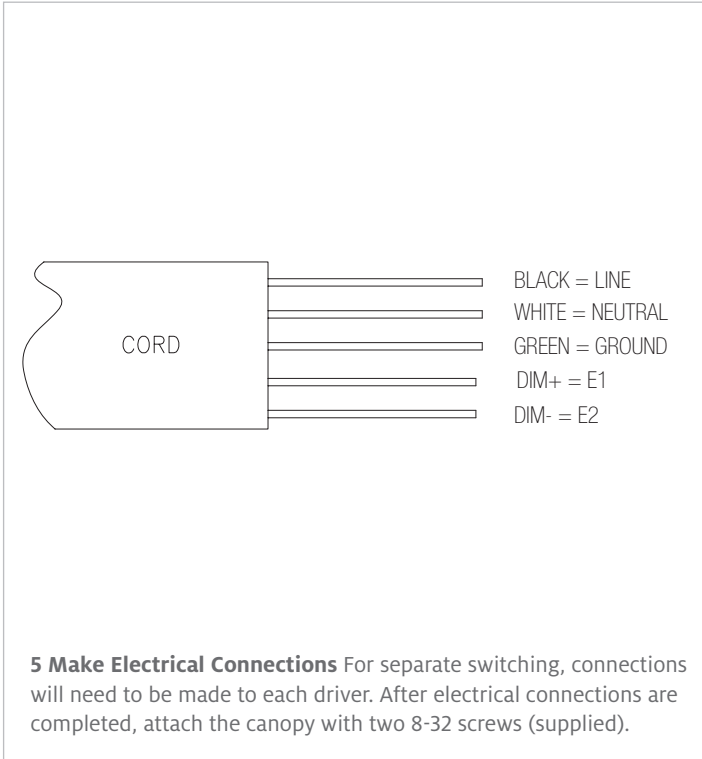
**SHEETROCK INSTALLATION, SINGLE POINT**



*ONDARIA 24", 34", 45" Pendant Mounted*

DO NOT REMOVE THE LED ASSEMBLY. THIS WILL VOID THE WARRANTY. CALL ZUMTOBEL AT 1-800-448-4131 FOR QUESTIONS.

**SHEETROCK INSTALLATION, SINGLE POINT (CONTINUED)**



ONDARIA 24", 34", 45" Pendant Mounted

DO NOT REMOVE THE LED ASSEMBLY. THIS WILL VOID THE WARRANTY. CALL ZUMTOBEL AT 1-800-448-4131 FOR QUESTIONS.

**SHEETROCK INSTALLATION, THREE POINT**

**All Medium**

**All Large and Extra Large**

**1 Prepare Ceiling** Mark position of mounting. Cut 4-1/8" Diameter round holes, for each of the three 4" X 4" octagonal junction boxes, spaced equally (120 Degrees apart), around the fixture diameter.

**2 Install 4" X 4"** octagonal junction box. Mount junction box regressed 3/16" above ceiling.

**feed junction box**

**Non-feed junction box**

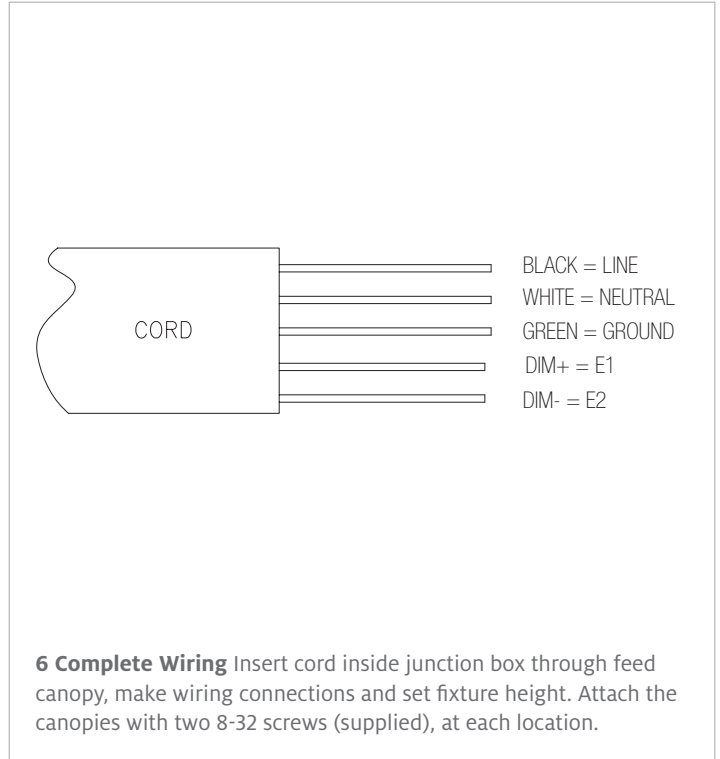
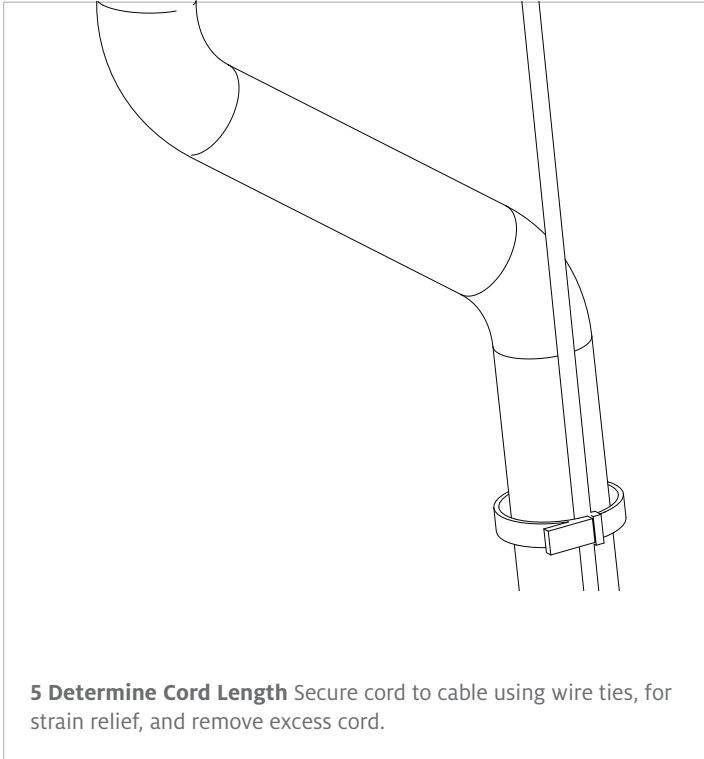
**3 Run Suspension Cables** through holes in the canopies and mounting plates and affix mounting plates to junction boxes with two 8-32 screws, at each of the three locations. For separate switching remove the second knockout in the mounting plate to allow room for the second feed wire.

**4 Mount Fixture** Run suspension cables through the holes in each of the 1/4-20 cable couplers. Adjust fixture mounting height.

ONDARIA 24", 34", 45" Pendant Mounted

DO NOT REMOVE THE LED ASSEMBLY. THIS WILL VOID THE WARRANTY. CALL ZUMTOBEL AT 1-800-448-4131 FOR QUESTIONS.

**SHEETROCK INSTALLATION, THREE POINT (CONTINUED)**



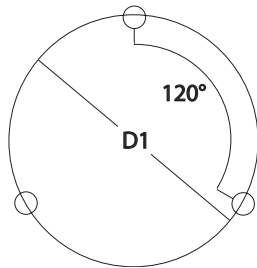
ONDARIA 24", 34", 45" Pendant Mounted

DO NOT REMOVE THE LED ASSEMBLY. THIS WILL VOID THE WARRANTY. CALL ZUMTOBEL AT 1-800-448-4131 FOR QUESTIONS.

**GRID INSTALLATION, SINGLE AND THREE POINT**

**1 Unpack Fixture** Mounting components and hardware included and should be removed and set aside in a safe location. Remove lens from inside the fixture until the installation is complete.

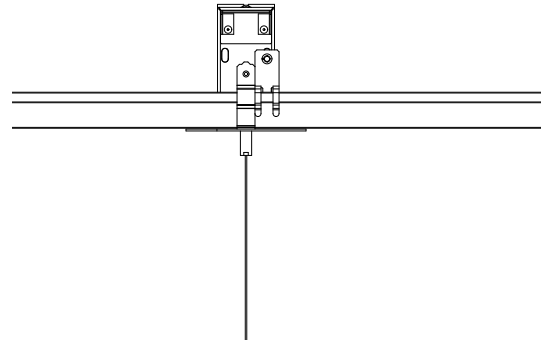
**2 Prepare Ceiling** Mark position of cable. Feed canopy should be mounted directly on the T-Bar by support clip with 1/4-20 screws (by others). For non-feed canopies, aircraft cables are installed with 1/4-20 threaded rods (by others) with end of rod approximately 5/8" below ceiling tile. Holes should be spaced equally (120° apart) around the fixture diameter.



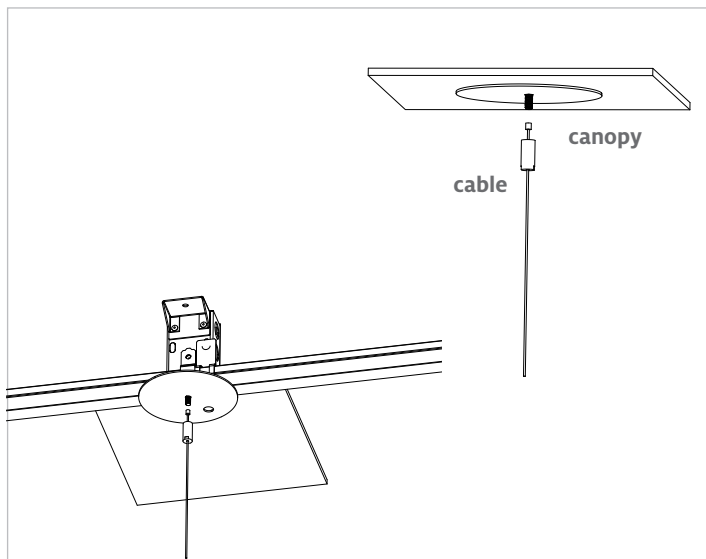
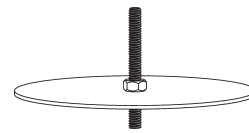
Fixture Size	24"	34"	45"
--------------	-----	-----	-----

Notch tile for close fit to junction box. Provide clearance holes for threaded rod or hardware.

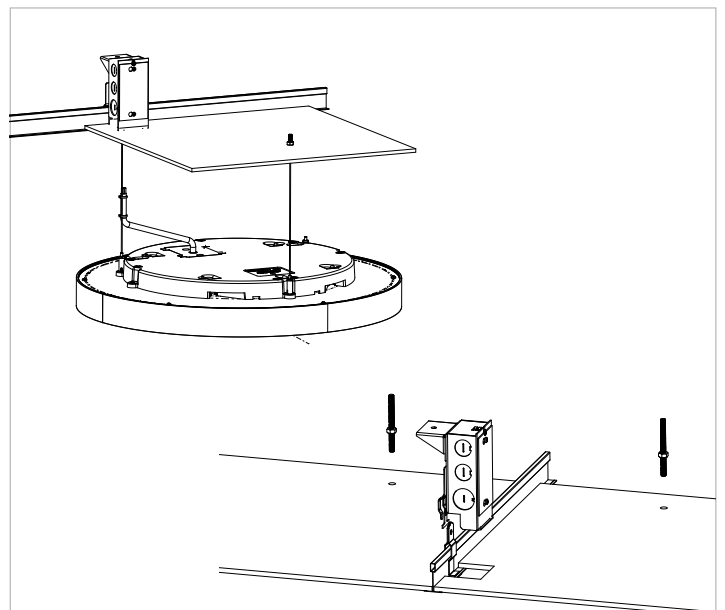
**3 Install Junction Box (supplied)** with T-Bar clip(s) (by others). Holes of J-Box should be parallel to the cables holes in the canopy.



**4 Tie T-Bar Clip and Junction Box** back to structure.



**5 Run Suspension Cables** through adapter to T-Bar clip with provided coupling reducer.



**6 For Three Points Installation, Thread Aircraft Cables** through grippers on fixture. Finish wiring on T-Bar.