

MPO Linear for TECTON

DO NOT REMOVE THE LED ASSEMBLY. THIS WILL VOID THE WARRANTY. CALL ZUMTOBEL AT 1-800-448-4131 FOR QUESTIONS.

RISK OF FIRE AND ELECTRICAL SHOCK

Contact, improper installation, or improper servicing MAY RESULT IN DEATH OR SERIOUS INJURY! Fixture must be installed by a qualified electrician only. Fixture is intended for installation in accordance with the National Electrical Code, local and federal code specifications. Disconnect power at electrical panel before servicing. Retain these instructions for maintenance reference.

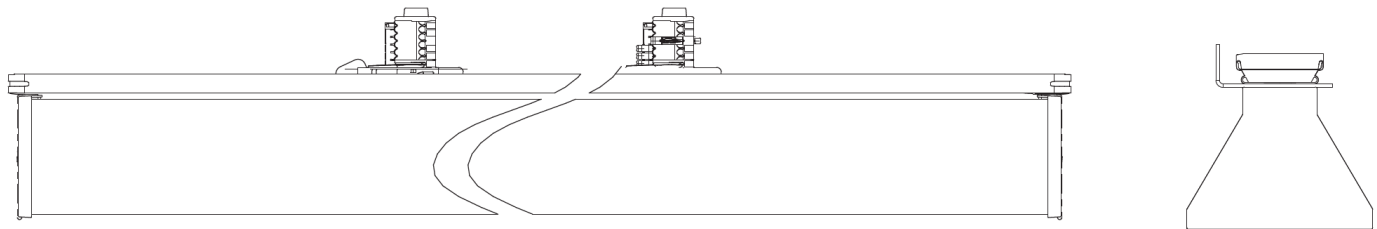
ADVERTENCIA: RIESGO DE INCENDIO O IMPACTO ELÉCTRICO

Conexión, instalación inapropiada o servicio incorrecto PUEDE CAUSAR MUERTE O HERIDAS GRAVES. La luminaria debe ser instalada únicamente por un eléctrico calificado. La luminaria debe instalarse de acuerdo al Norma eléctrica nacional, al igual que especificaciones locales y normas federales. Se debe desconectar la corriente eléctrica antes de realizar la mantención. Conservar estas instrucciones como referencia para futuras mantenciones.

ATTENTION: RISQUE D'INCENDIE ET D'ELECTROCUTION

Une installation, un entretien ou un contact physique non conforme pourraient mener à un DANGER DE MORT OU DE BLESSURE GRAVE! L'appareil doit être installé uniquement par un électricien professionnel qualifié. L'installation doit respecter le code électrique national de même que les lois locales et fédérales en vigueur. Veuillez fermer l'alimentation électrique au panneau principal avant tout entretien. Conservier ces instructions pour référence et tout entretien futur.

The following installation instructions relate to the options below



MPO LINEAR FOR TECTON

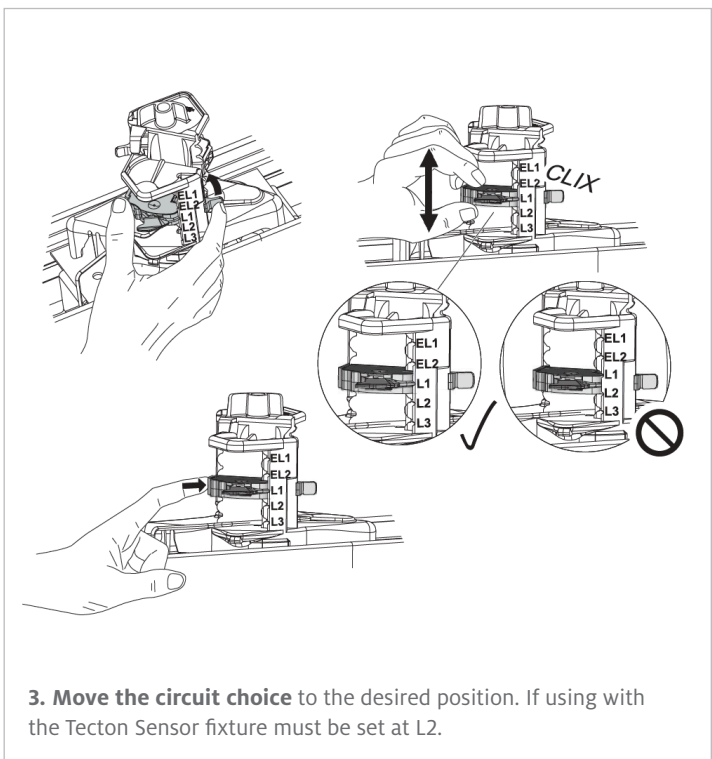
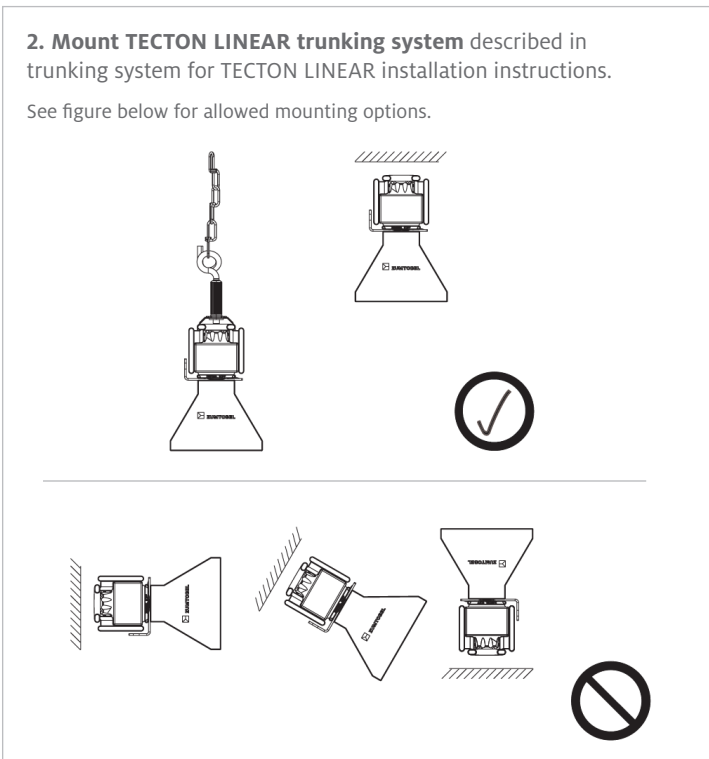
MPO Linear for TECTON

DO NOT REMOVE THE LED ASSEMBLY. THIS WILL VOID THE WARRANTY. CALL ZUMTOBEL AT 1-800-448-4131 FOR QUESTIONS.

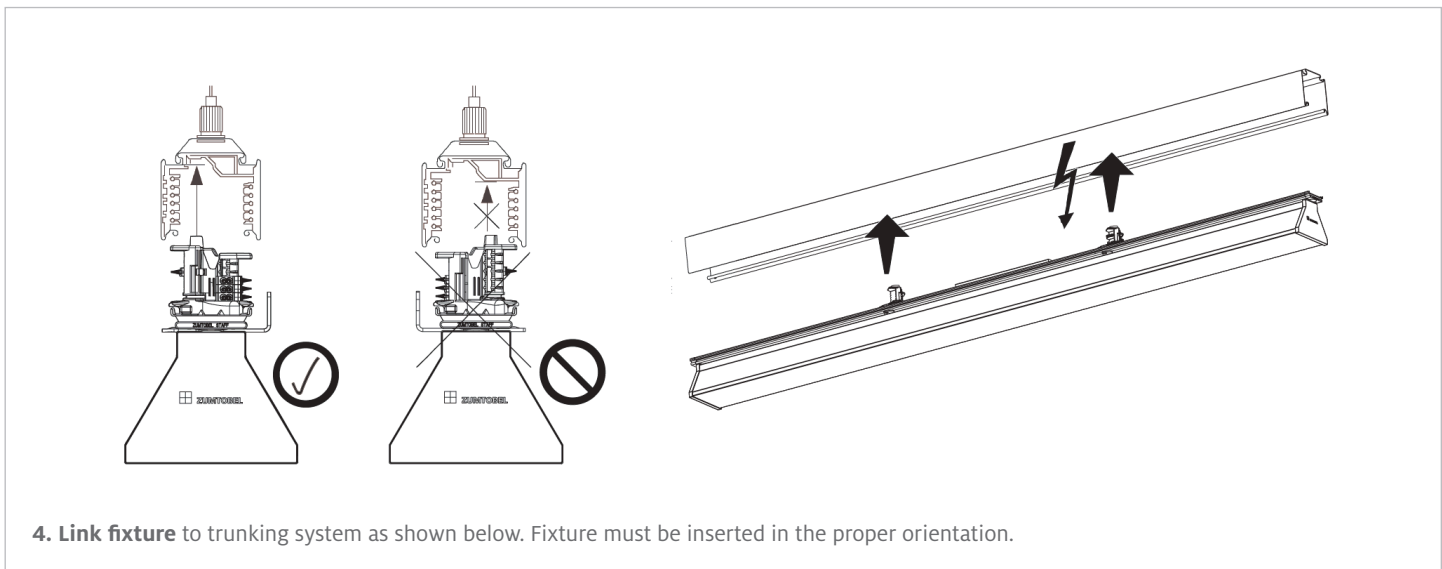
1. **Unpack fixture.** TECTON LINEAR trunking system ordered and packaged separately.

2. **Mount TECTON LINEAR trunking system** described in trunking system for TECTON LINEAR installation instructions.

See figure below for allowed mounting options.



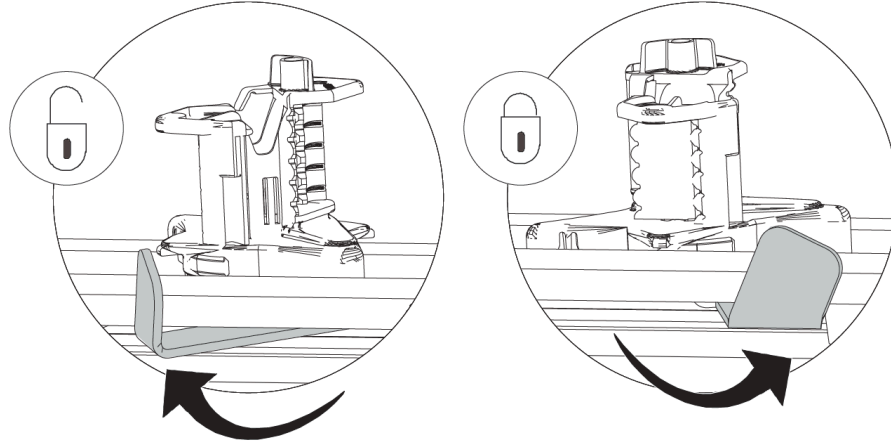
3. **Move the circuit choice** to the desired position. If using with the Tecton Sensor fixture must be set at L2.



4. **Link fixture** to trunking system as shown below. Fixture must be inserted in the proper orientation.

MPO Linear for TECTON

DO NOT REMOVE THE LED ASSEMBLY. THIS WILL VOID THE WARRANTY. CALL ZUMTOBEL AT 1-800-448-4131 FOR QUESTIONS.



5. Slide Locks to ensure the fixture is secured in place.