

SUP2 TRACK U TL

Anleitung

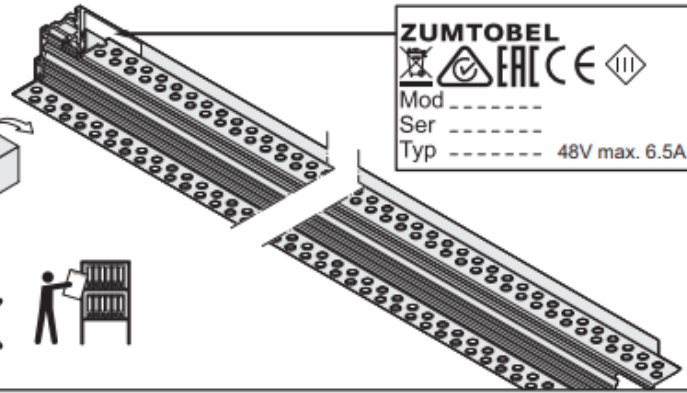
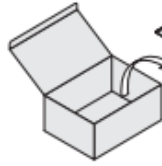
Gebrauch
Montage

instruction

for use
for mounting

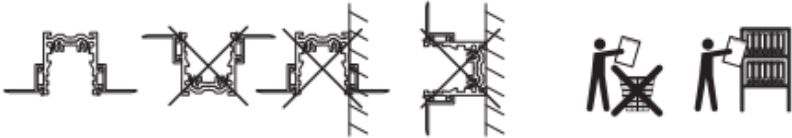


- 60210811 SUP2 TRACK U TL 2M WH
- 60210813 SUP2 TRACK U TL 4M WH
- 60210814 SUP2 TRACK U TL 2M BK
- 60210816 SUP2 TRACK U TL 4M BK



ZUMTOBEL

 Mod -----
 Ser -----
 Typ ----- 48V max. 6.5A

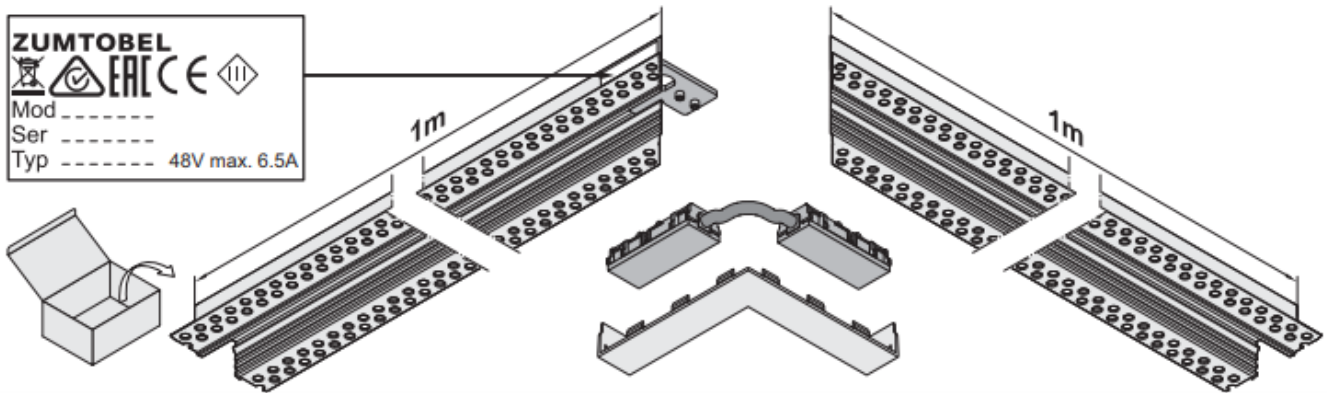


This class III (EU) track system (Class II in US) is not compatible with any track systems of other manufacturers! Contact US- manufacturer for more detail: www.zumtobel.us

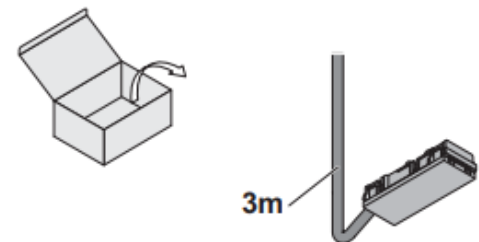
- 60210821 SUP2 TRACK U TL ELEC CON-H 48V 90° WH
- 60210822 SUP2 TRACK U TL ELEC CON-H 48V 90° BK

ZUMTOBEL

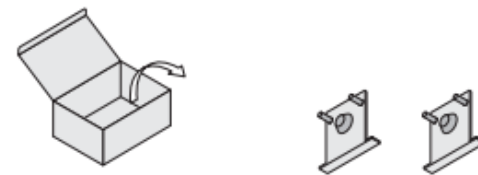
 Mod -----
 Ser -----
 Typ ----- 48V max. 6.5A



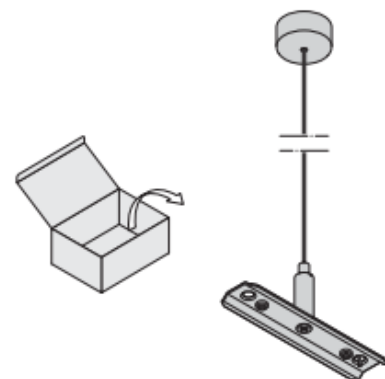
- 22169736 SUP2 ELECTRICAL FEED-IN CON 48V WH
- 22169737 SUP2 ELECTRICAL FEED-IN CON 48V BK



- 60210825 SUP2 TRACK U SF END PLATE WH
- 60210826 SUP2 TRACK U SF END PLATE BK



- 22169690 SUP2 TRACK U SUSPENSION KIT



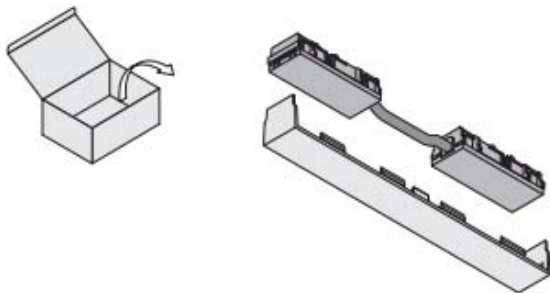
- 60210850 SUP2 MOUNTING PLATE ANGLE TRACK SF/TL



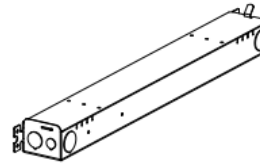
- 22169693 SUP2 TRACK U MECHANICAL CON BK
- 22169794 SUP2 TRACK U MECHANICAL CON WH



22169694
 SUP2 TRACK ELECTRICAL CON 48V WH
 22169695
 SUP2 TRACK ELECTRICAL CON 48V BK

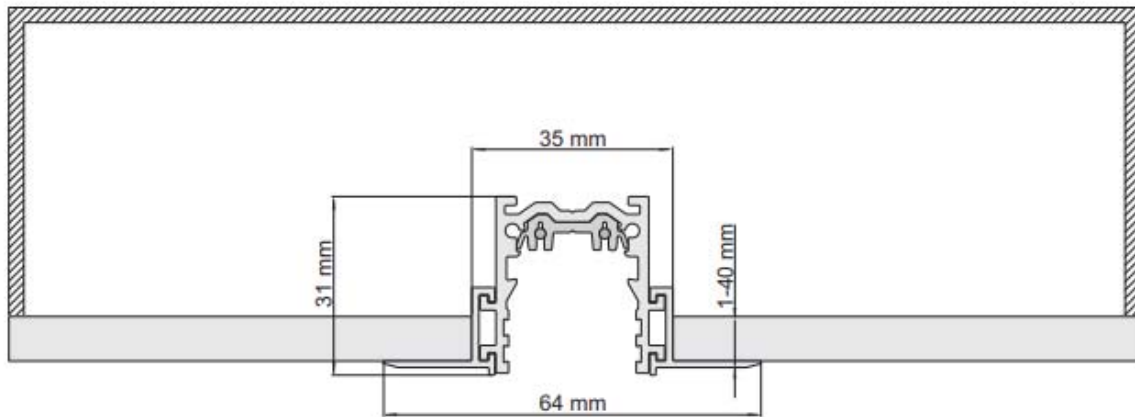


Remote driver box 96 W (AC DC
 fix) 120V-277V AC \geq 48V D C



Article no.:
 11055060

i



⚠



DE Die Montage und Inbetriebnahme darf nur von autorisiertem Fachpersonal durchgeführt werden.

NL De montage en inbedrijfstelling mogen enkel door erkend vakpersoneel worden uitgevoerd.

EN Installation and commissioning may only be carried out by authorized specialists.

SV Monteringen och idrifttagandet får endast företas av auktoriserad fackpersonal.

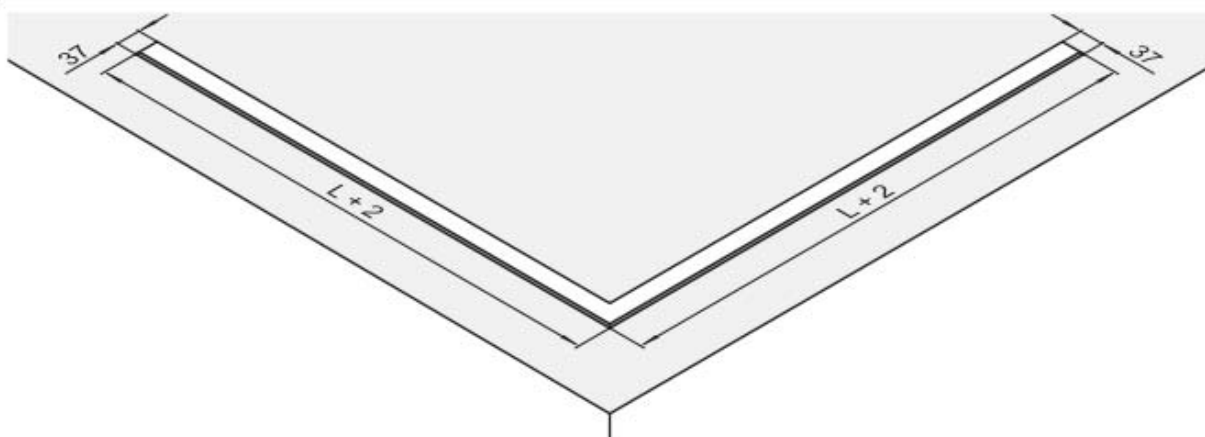
FR L'installation et la mise en service doivent obligatoirement être effectuées par des techniciens.

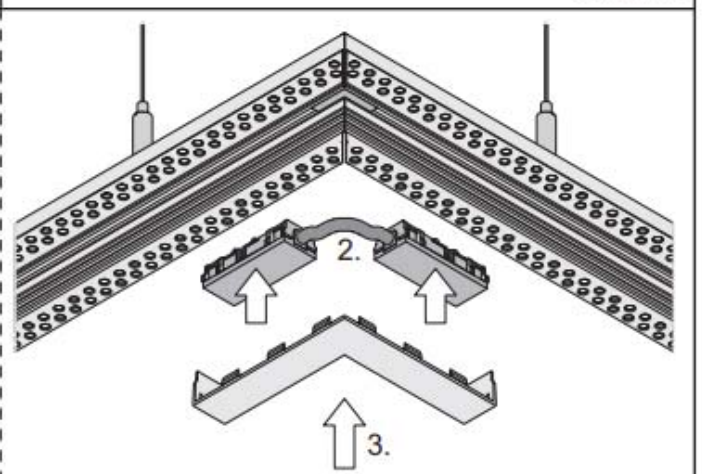
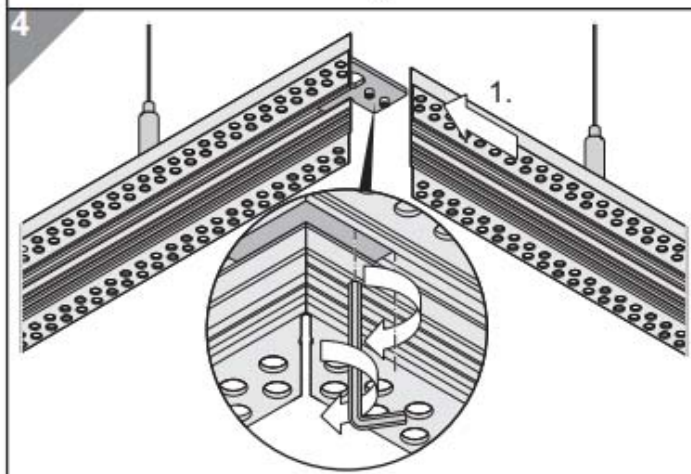
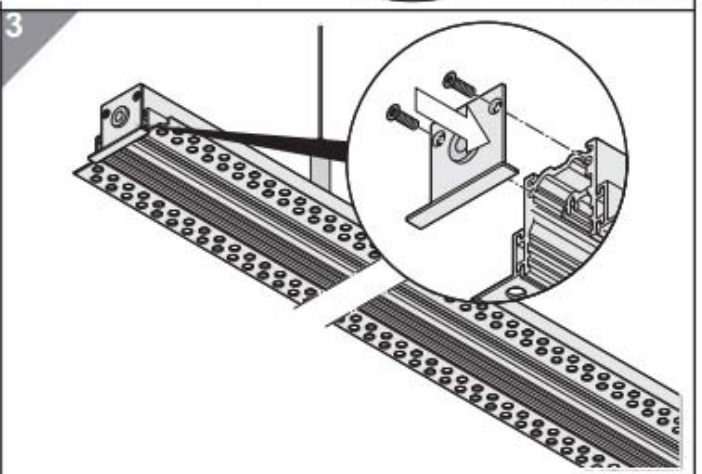
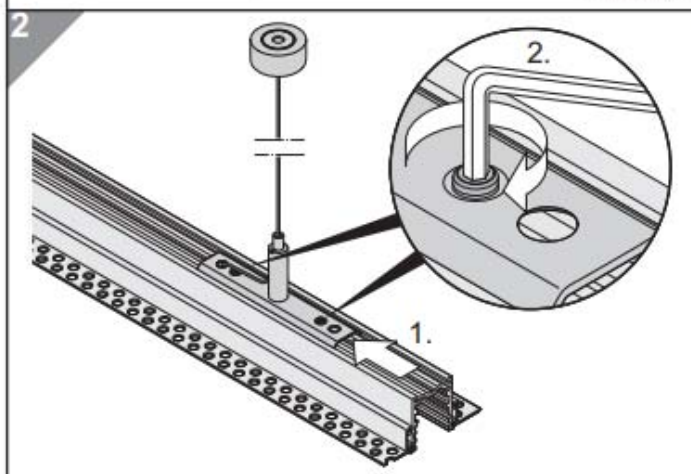
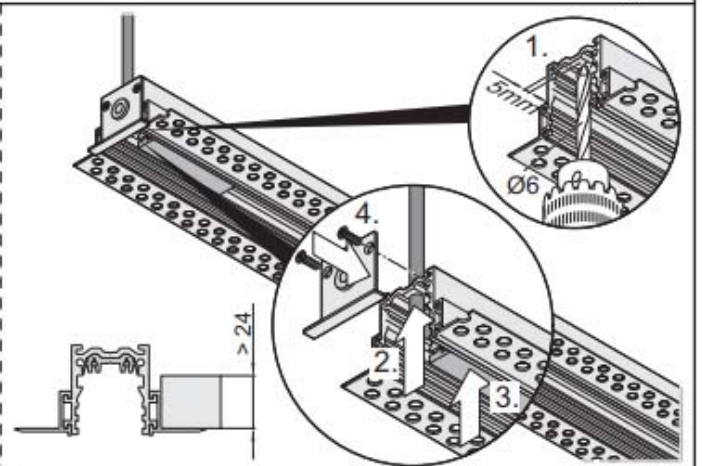
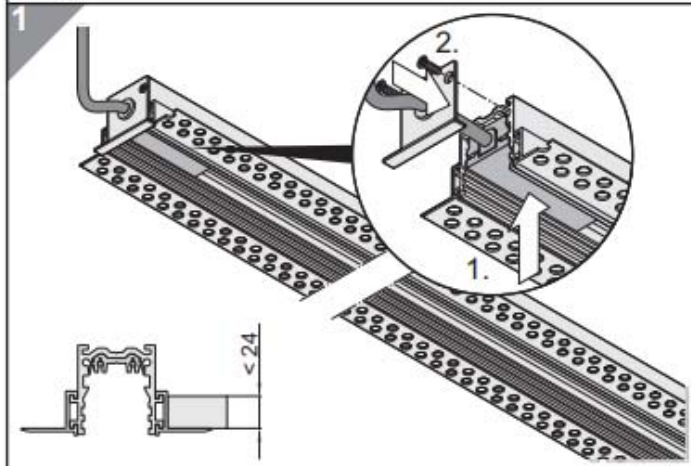
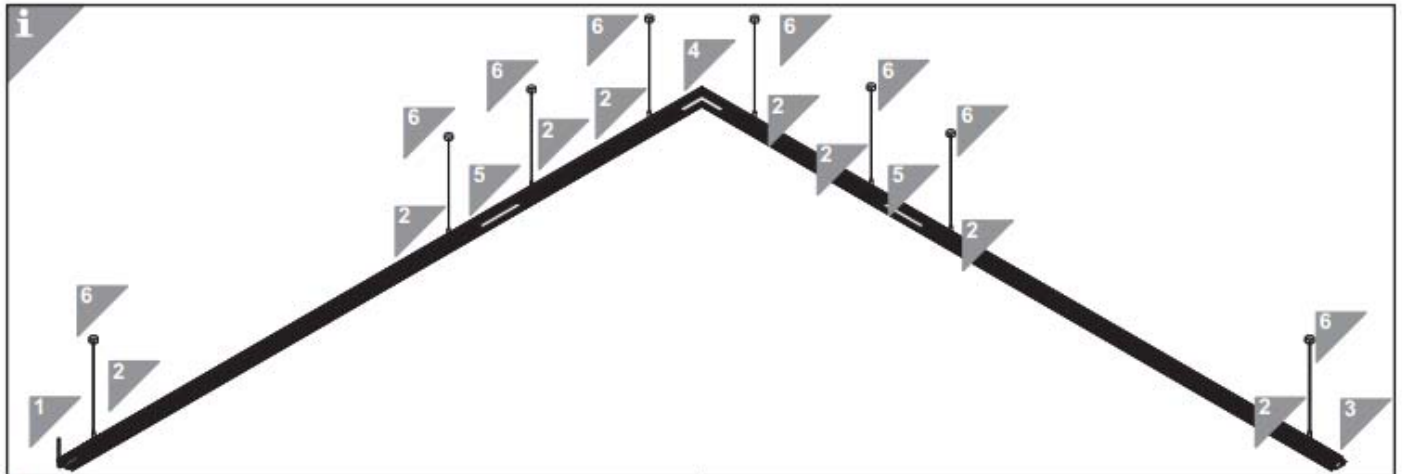
FI Asennuksen ja käyttöönoton saa tehdä vain auktorisoitu ammattihenkilöstö.

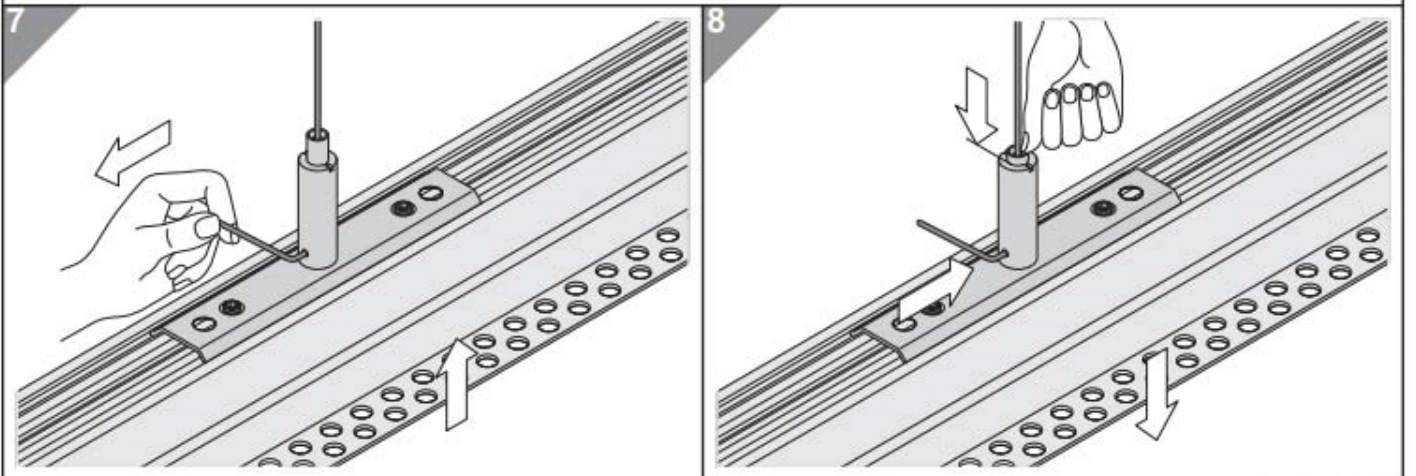
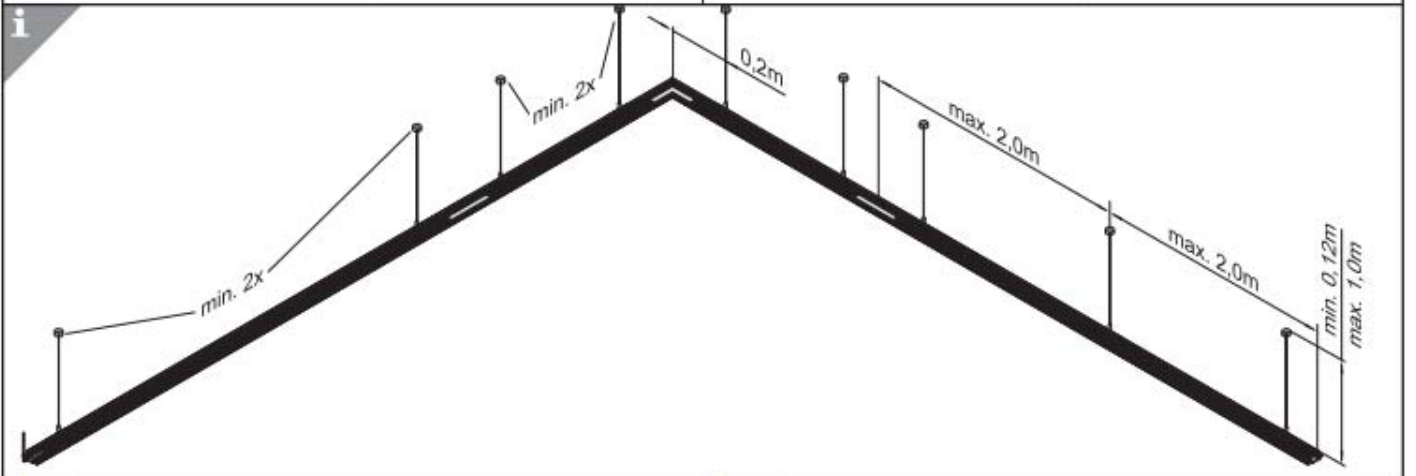
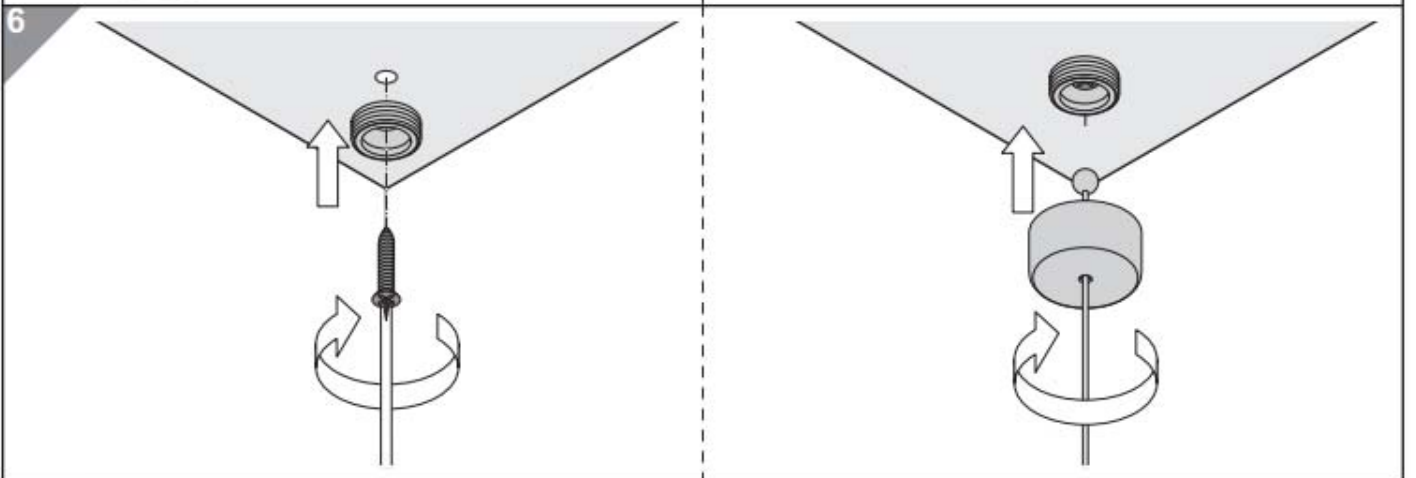
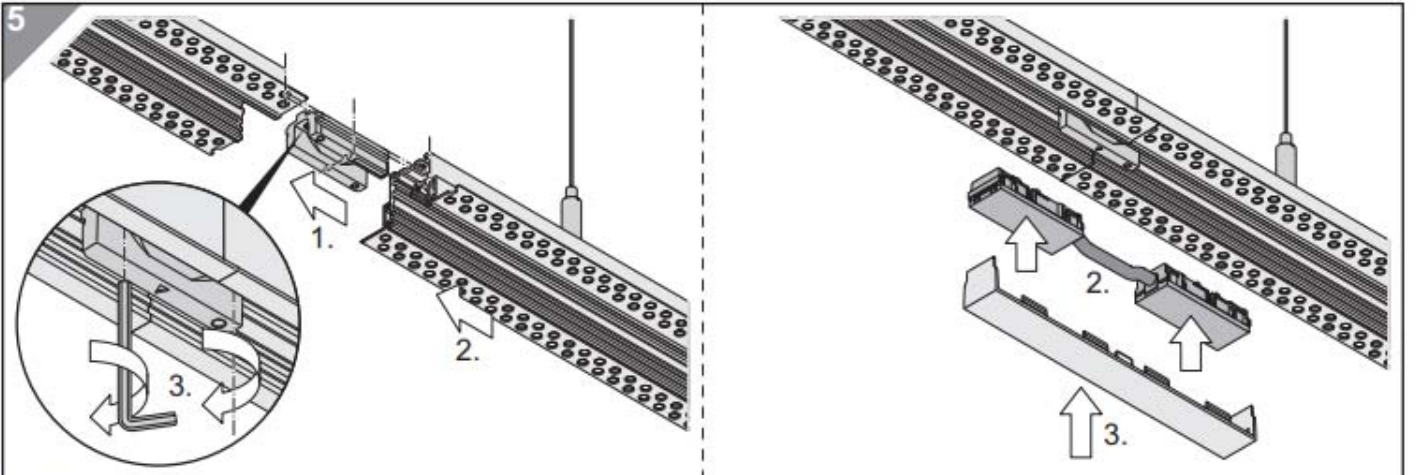
IT Montaggio ed avviamento devono essere eseguiti solo da personale specializzato.

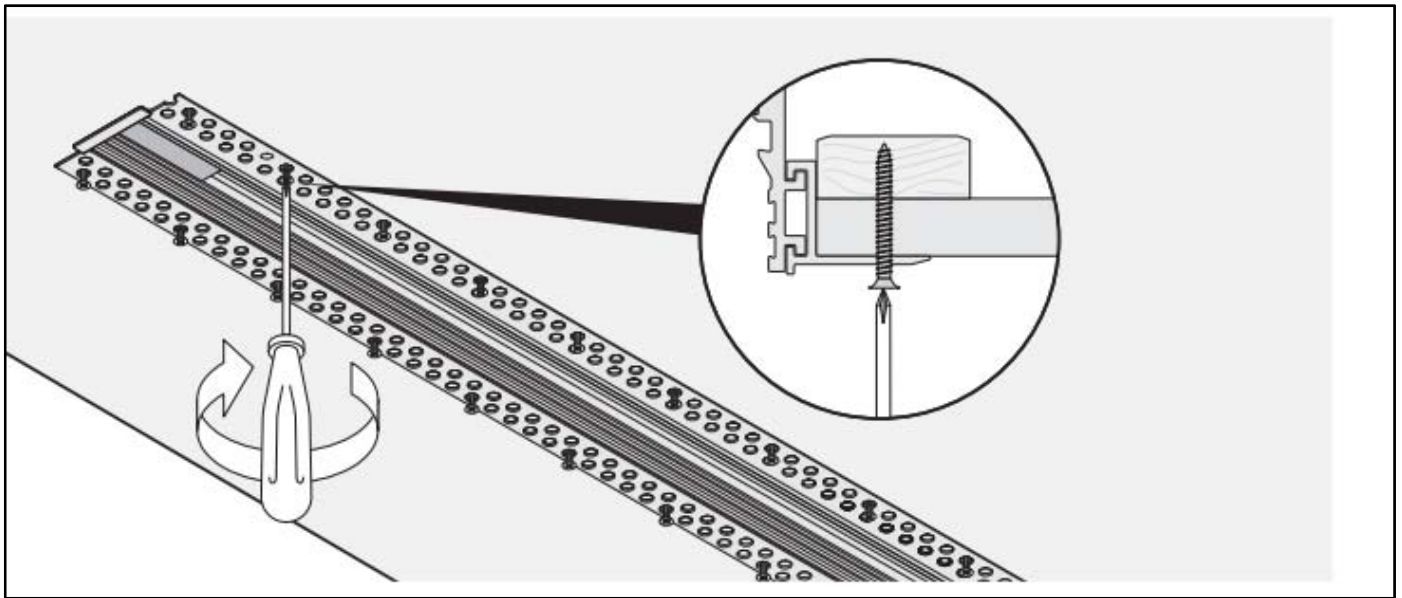
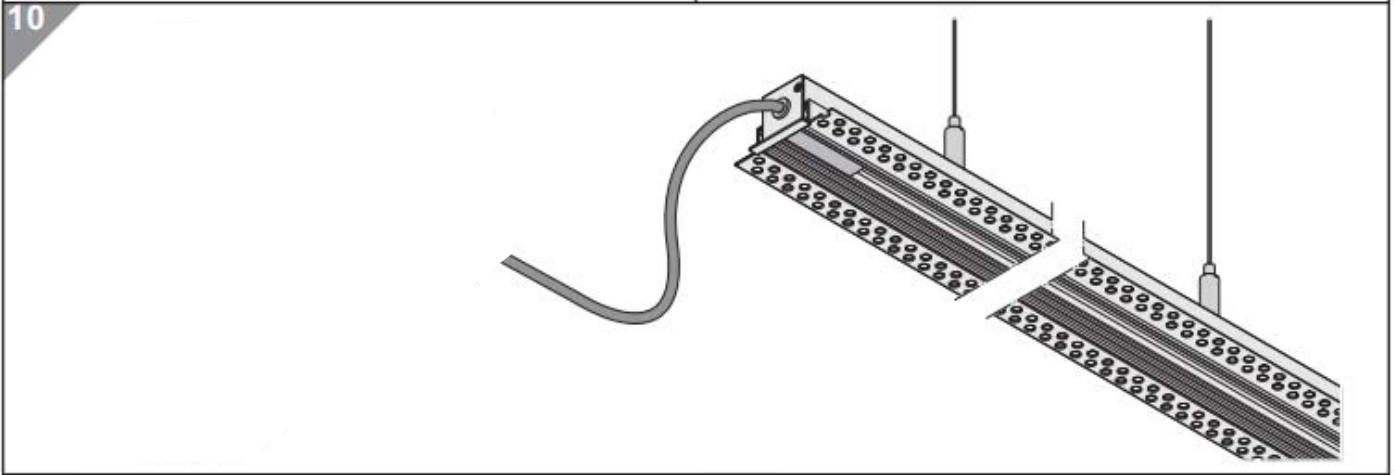
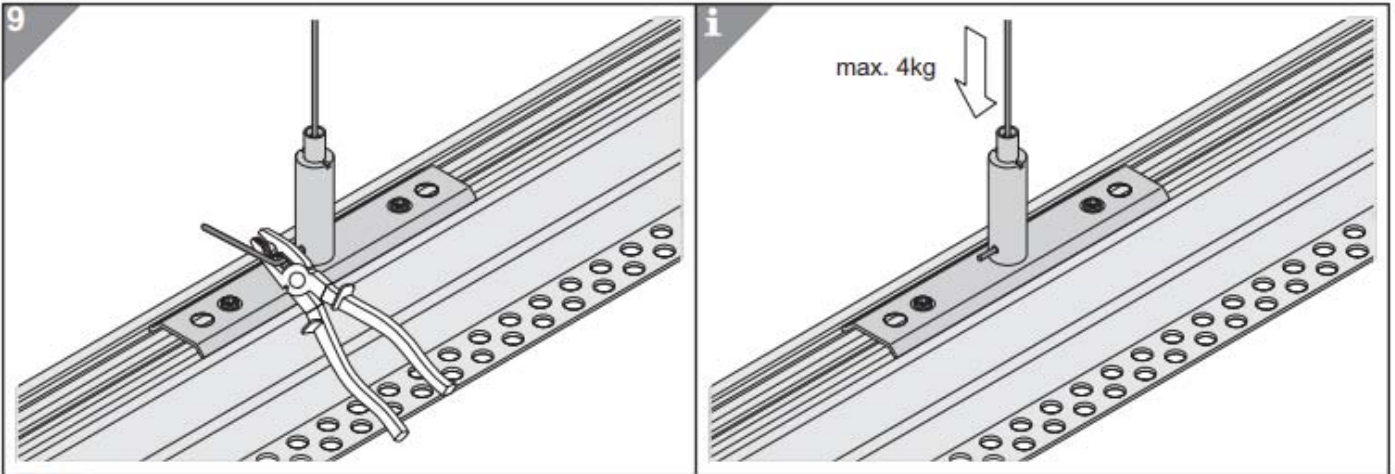
ES El montaje y la puesta en marcha sólo puede ser realizado por personal especializado autorizado.

i









1. Carefully remove dust and dirt from flush-mounted bracket (aluminum), then apply prime coating (spirit cleaner).
2. Use self-adhesive glass fiber tape with coarse texture (e.g. joint tape 843 by Kip) for improved plaster bonding. Do use gauze.
3. Use spackle with good bonding properties,

