



MIREL Pendant Mounted Fixture

DO NOT REMOVE THE LED ASSEMBLY. THIS WILL VOID THE WARRANTY. CALL ZUMTOBEL AT 1-800-448-4131 FOR QUESTIONS.

RISK OF FIRE AND ELECTRICAL SHOCK

Contact, improper installation, or improper servicing MAY RESULT IN DEATH OR SERIOUS INJURY! Fixture must be installed by a qualified electrician only. Fixture is intended for installation in accordance with the National Electrical Code, local and federal code specifications. Disconnect power at electrical panel before servicing. Retain these instructions for maintenance reference.

ADVERTENCIA: RIESGO DE INCENDIO O IMPACTO ELÉCTRICO

Conexión, instalación inapropiada o servicio incorrecto PUEDE CAUSAR MUERTE O HERIDAS GRAVES. La luminaria debe ser instalada únicamente por un eléctrico calificado. La luminaria debe instalarse de acuerdo al Norma eléctrica nacional, al igual que especificaciones locales y normas federales. Se debe desconectar la corriente eléctrica antes de realizar la mantención. Conservar estas instrucciones como referencia para futuras mantenciones.

ATTENTION: RISQUE D'INCENDIE ET D'ELECTROCUTION

Une installation, un entretien ou un contact physique non conforme pourraient mener à un DANGER DE MORT OU DE BLESSURE GRAVE! L'appareil doit être installé uniquement par un électricien professionnel qualifié. L'installation doit respecter le code électrique national de même que les lois locales et fédérales en vigueur. Veuillez fermer l'alimentation électrique au panneau principal avant tout entretien. Conservar ces instructions pour référence et tout entretien futur.

IMPORTANT PRE-INSTALLATION NOTE

4" square junction box (30 cu. in. volume) supplied by others. Canopies and suspensions are ordered separately. Junction boxes should be installed regressed 3/16" into sheetrock ceiling. For T-bar ceilings use CADDY® clips by others. Please refer to the approved layout drawings prior to installation, if applicable.

Read Entire Instructions Before Starting Installation

Emergency Lighting only (6-pol.):

Black – Line (Hot)	Black - Switched Line (Hot)
White – Neutral	White – Neutral
Green – Ground	Green – Ground
Brown – DA(-)	Grey – DA(-)
Red – DA(+)	Purple – DA(+)

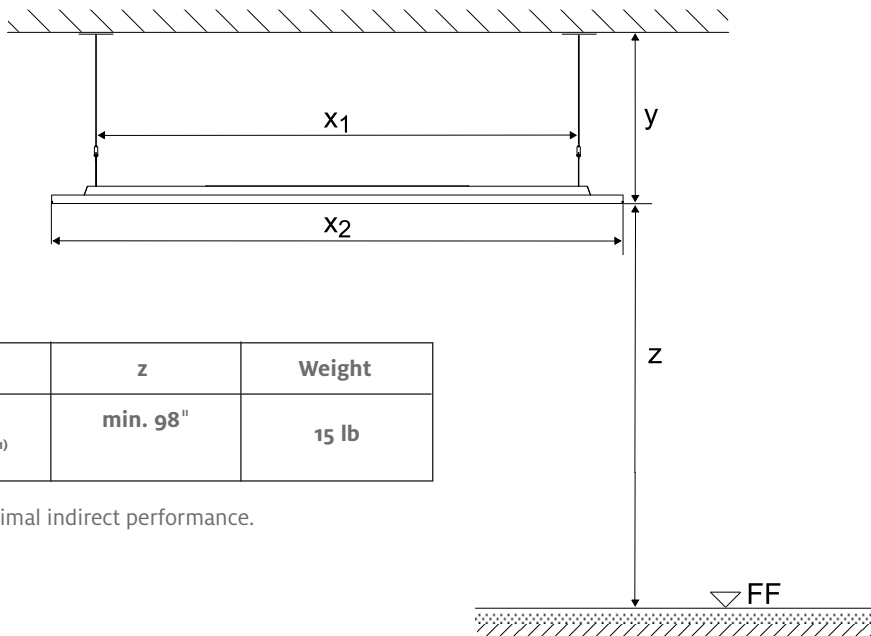
OPTION EMERGENCY LIGHTING (page 2)

1 Unpack Fixture. Package contains the following parts: Single unit fixture incl. 158 inches power chord (5-pol.) or 158 inches (6-pol.) power cord (for emergency lighting) pre-installed. Unit is suitable for mounting either at J-box or T-bar. All electrical circuitry is done prior to shipping. Suspension cables and canopies are ordered and packaged separately.

MIREL Pendant Mounted Fixture

DO NOT REMOVE THE LED ASSEMBLY. THIS WILL VOID THE WARRANTY. CALL ZUMTOBEL AT 1-800-448-4131 FOR QUESTIONS.

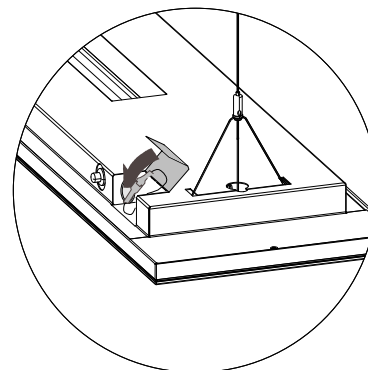
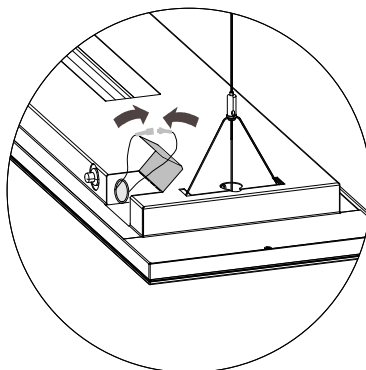
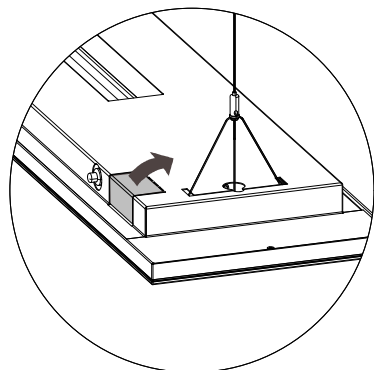
X1 = Distance Between Suspension Points
 X2 = Fixture Overall Length
 y = Suspension Length
 z = Mounting Height (AFF) Above Finished Floor



X1	X2	y	z	Weight
44.9" (44.2" - 45.6")	53"	min. 12" max. 39" (1)	min. 98"	15 lb

1 This is the recommended mounting height for optimal indirect performance.

2 Mounting Information is displayed above.

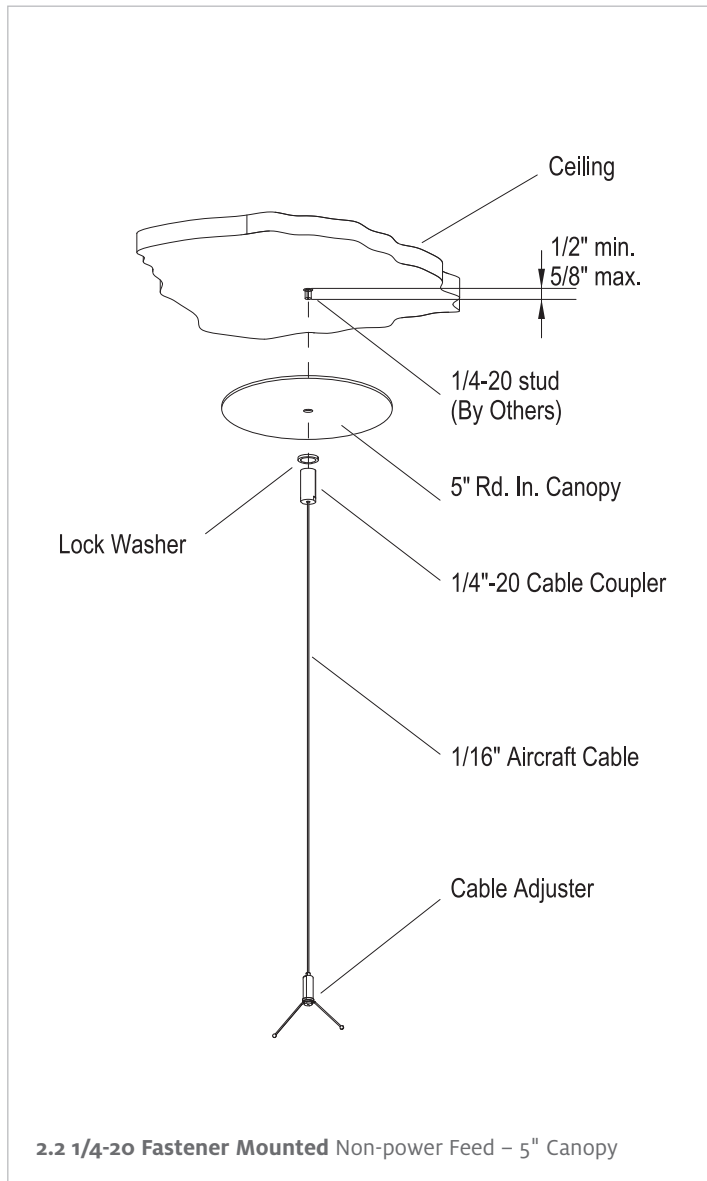
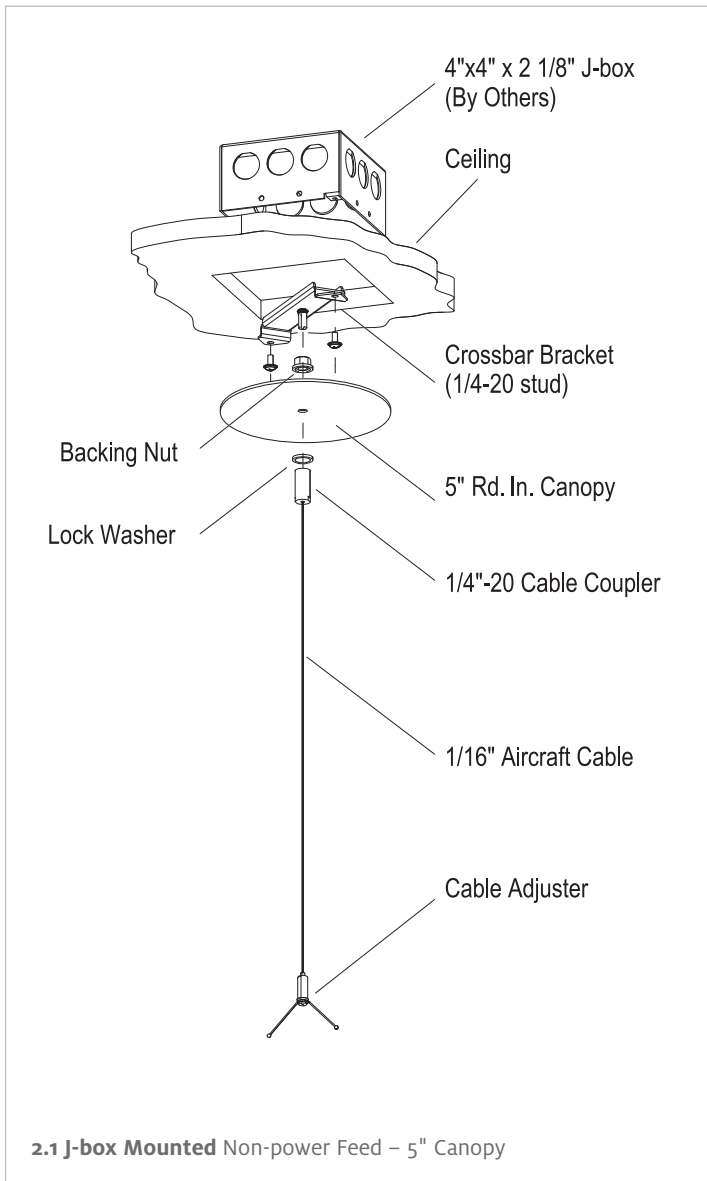


3 **Emergency Option:** Open connector box. Connect battery pack to connectors to activate emergency function. Close connector box again. See manufacturer's leaflet for further instructions (by Iota).

MIREL Pendant Mounted Fixture

DO NOT REMOVE THE LED ASSEMBLY. THIS WILL VOID THE WARRANTY. CALL ZUMTOBEL AT 1-800-448-4131 FOR QUESTIONS.

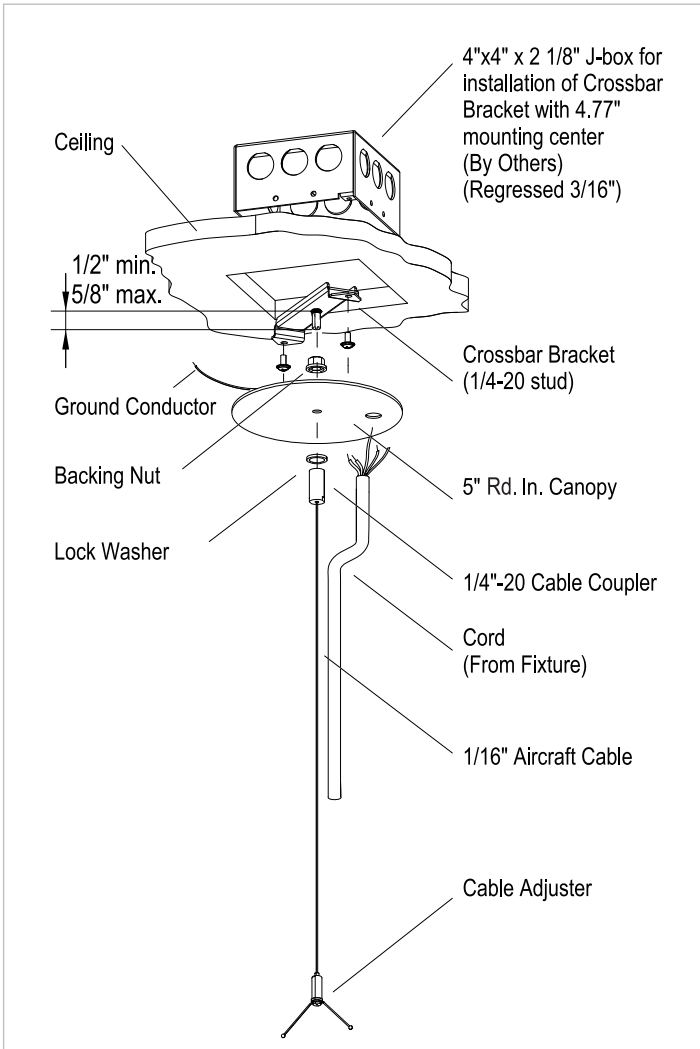
2 Non-Power Feed Mounting



MIREL Pendant Mounted Fixture

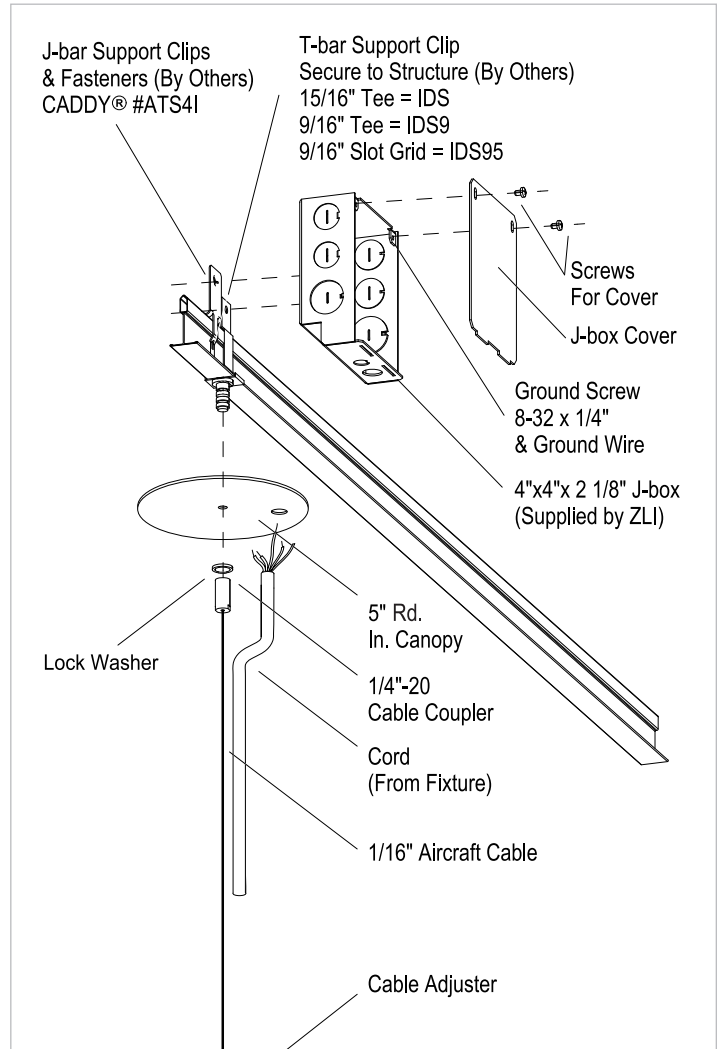
DO NOT REMOVE THE LED ASSEMBLY. THIS WILL VOID THE WARRANTY. CALL ZUMTOBEL AT 1-800-448-4131 FOR QUESTIONS.

3 Power Feed Mounting



3.1 J-box Mounted Power Feed – 5" Canopy

- Attach Crossbar to J-box with Screws (by Others).
- Thread Backing Nut onto Stud of Crossbar.
- Thread Cable Termination through Washer, Canopy and hook onto Crossbar as needed.
- Pass Cord through Canopy Hole. Knot the Cord above the Canopy for Strain Relief. Then trim to desired Length.
- Make all electrical Connections.
- Install Canopy onto Stud with Lock Washer and Cable Coupler.
- Unhook Cable Termination, place Canopy, Washer and Cable Coupler onto Stud.
- Secure Cord to Cable with Wire Ties along Length. (Supplied by ZLI)



3.2 T-bar Mounted Power Feed – 5" Canopy

- Install J-box to T-bar of Ceiling System.
- Place Canopy onto Stud and align to mating Feed Hole in J-box. Then secure with Lock Washer and Cable Coupler.
- Pass Cord through Canopy Hole and trim to desired Length.
- Make all electrical Connections.
- Secure Cord to Cable with Wire Ties along Length. (Supplied by ZLI)

MIREL Pendant Mounted Fixture

DO NOT REMOVE THE LED ASSEMBLY. THIS WILL VOID THE WARRANTY. CALL ZUMTOBEL AT 1-800-448-4131 FOR QUESTIONS.

4 Finalize Mounting Shorten Suspension Cables to appropriate Length. Keep Eye on perfect horizontal arrangement.

