

MIREL Surface Mounted Fixture

DO NOT REMOVE THE LED ASSEMBLY. THIS WILL VOID THE WARRANTY. CALL ZUMTOBEL AT 1-800-448-4131 FOR QUESTIONS.

RISK OF FIRE AND ELECTRICAL SHOCK

Contact, improper installation, or improper servicing MAY RESULT IN DEATH OR SERIOUS INJURY! Fixture must be installed by a qualified electrician only. Fixture is intended for installation in accordance with the National Electrical Code, local and federal code specifications. Disconnect power at electrical panel before servicing. Retain these instructions for maintenance reference.

ADVERTENCIA: RIESGO DE INCENDIO O IMPACTO ELÉCTRICO

Conexión, instalación inapropiada o servicio incorrecto PUEDE CAUSAR MUERTE O HERIDAS GRAVES. La luminaria debe ser instalada únicamente por un eléctrico calificado. La luminaria debe instalarse de acuerdo al Norma eléctrica nacional, al igual que especificaciones locales y normas federales. Se debe desconectar la corriente eléctrica antes de realizar la mantención. Conservar estas instrucciones como referencia para futuras mantenciones.

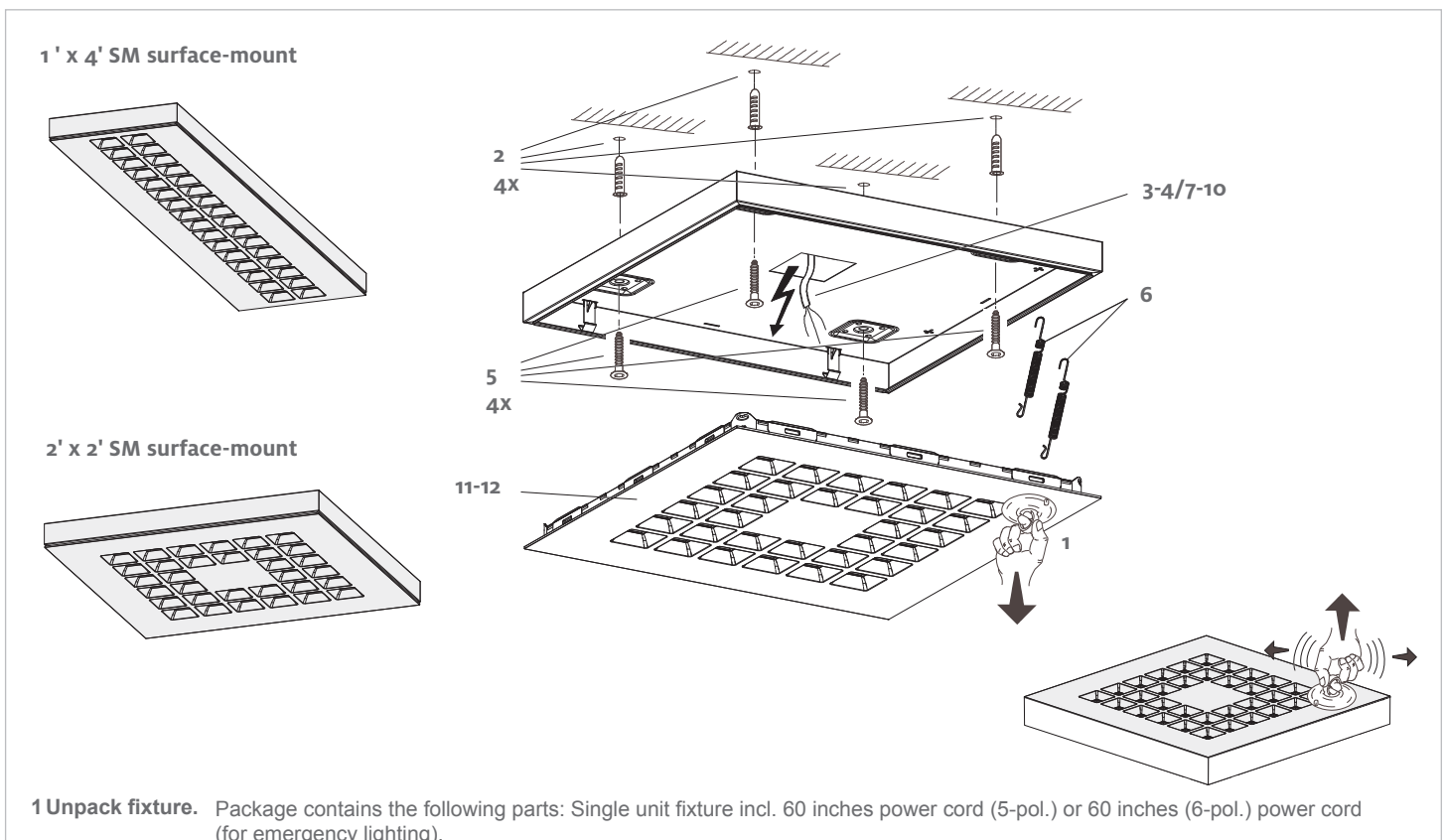
ATTENTION: RISQUE D'INCENDIE ET D'ELECTROCUTION

Une installation, un entretien ou un contact physique non conforme pourraient mener à un DANGER DE MORT OU DE BLESSURE GRAVE! L'appareil doit être installé uniquement par un électricien professionnel qualifié. L'installation doit respecter le code électrique national de même que les lois locales et fédérales en vigueur. Veuillez fermer l'alimentation électrique au panneau principal avant tout entretien. Conservar ces instructions pour référence et tout entretien futur.

IMPORTANT PRE-INSTALLATION NOTE

These instructions are only for inaccessible ceilings (gypsum board or selected concealed). For other ceiling conditions, consult factory. Handle fixture carefully. Please refer to the approved layout drawings prior to installation, if applicable.

Read Entire Instructions Before Starting Installation

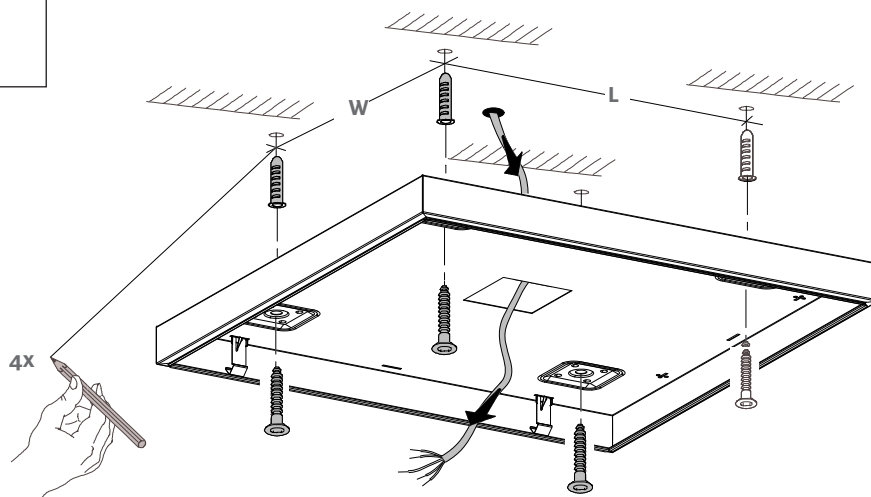


MIREL Surface Mounted Fixture

DO NOT REMOVE THE LED ASSEMBLY. THIS WILL VOID THE WARRANTY. CALL ZUMTOBEL AT 1-800-448-4131 FOR QUESTIONS.

	L	W
1' x 4'	39.4"	5.3"
2' x 2'	15.7"	15.7"

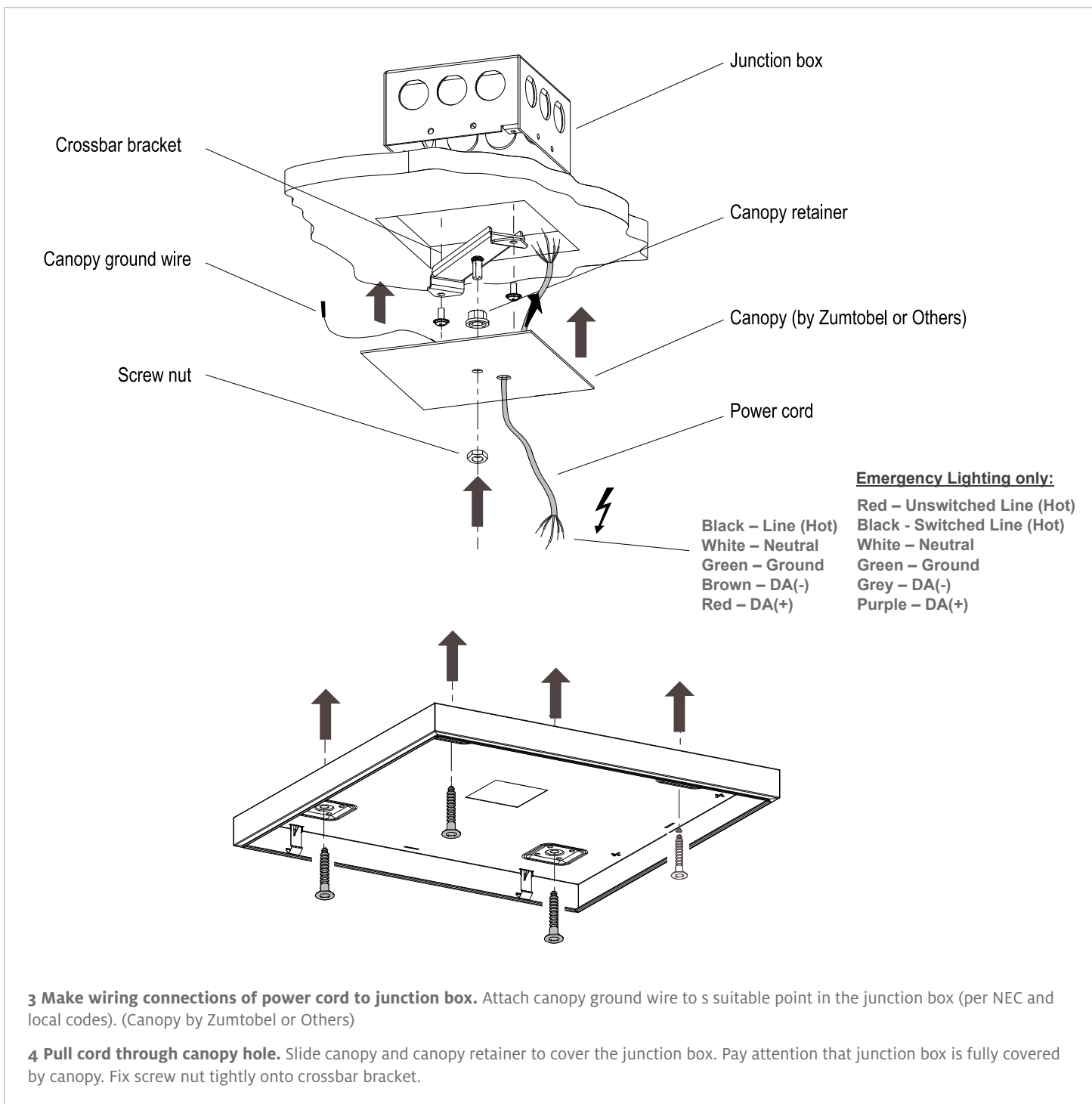
(feed hole is located in center position)



2 Prepare mounting. Determine spacing of four mounting points. Refer to dimensions given in the table. Consider power cord needs to be pulled through the cutting opening of the housing.

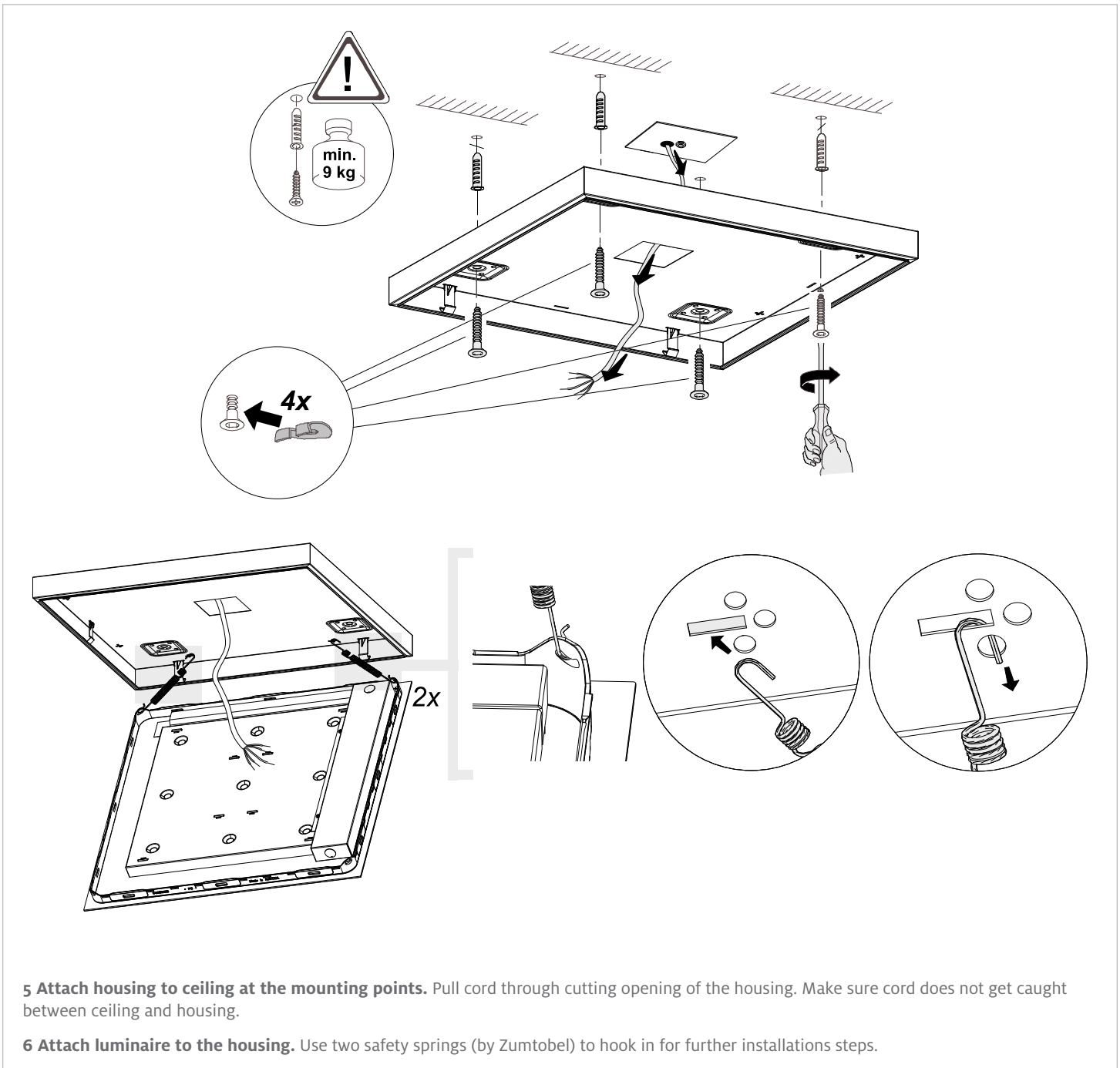
MIREL Surface Mounted Fixture

DO NOT REMOVE THE LED ASSEMBLY. THIS WILL VOID THE WARRANTY. CALL ZUMTOBEL AT 1-800-448-4131 FOR QUESTIONS.



MIREL Surface Mounted Fixture

DO NOT REMOVE THE LED ASSEMBLY. THIS WILL VOID THE WARRANTY. CALL ZUMTOBEL AT 1-800-448-4131 FOR QUESTIONS.

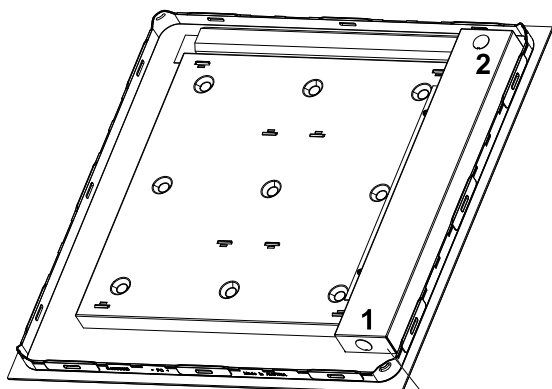


5 Attach housing to ceiling at the mounting points. Pull cord through cutting opening of the housing. Make sure cord does not get caught between ceiling and housing.

6 Attach luminaire to the housing. Use two safety springs (by Zumtobel) to hook in for further installations steps.

MIREL Surface Mounted Fixture

DO NOT REMOVE THE LED ASSEMBLY. THIS WILL VOID THE WARRANTY. CALL ZUMTOBEL AT 1-800-448-4131 FOR QUESTIONS.



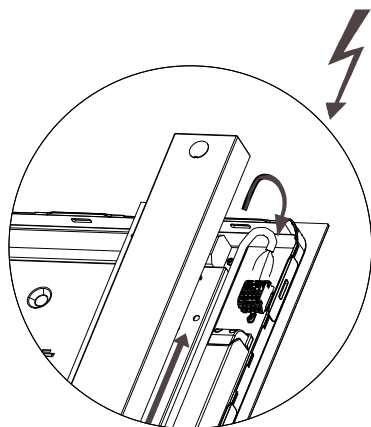
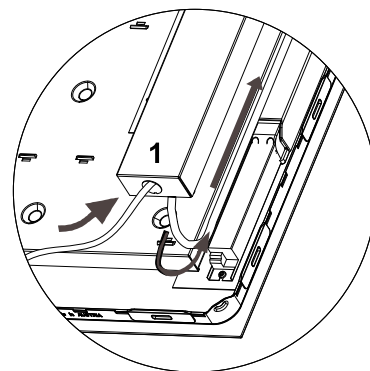
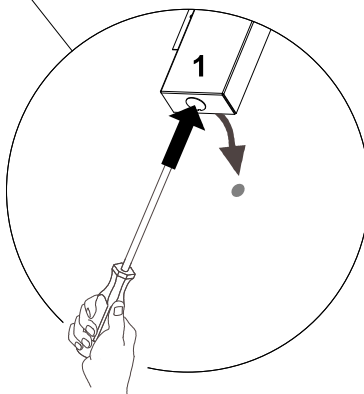
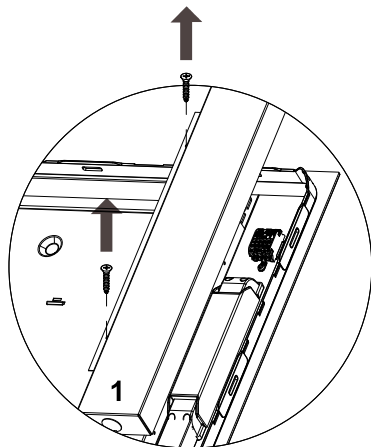
7 Remove cover of the driver box. Loosen two screws. Keep screws for remounting in step 10.

8 Break through knock-out opening 1. Use a screw driver or any other appropriate tool to break through the cover of the driver box.

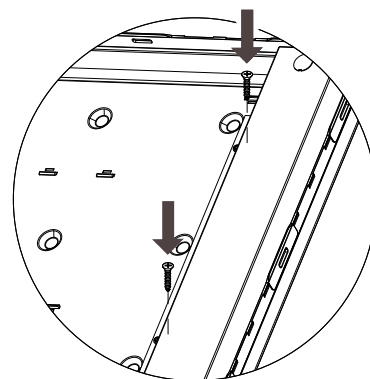
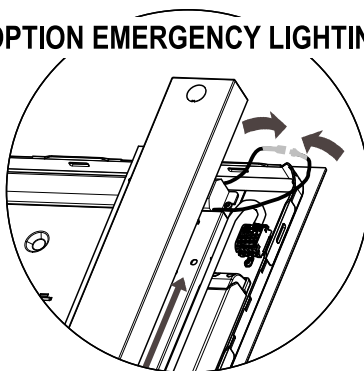
9 Pull power cord through knock-out opening 1. Lead power cord alongside the LED-driver. Make all electrical connections to the terminal block.

9a Option Emergency Lighting Connect battery pack connectors to activate emergency function. See manufacturers' leaflet for further instructions (by Iota).

10 Fix cover of the driver box again. Use screws which were removed in step 7.



OPTION EMERGENCY LIGHTING



MIREL Surface Mounted Fixture

DO NOT REMOVE THE LED ASSEMBLY. THIS WILL VOID THE WARRANTY. CALL ZUMTOBEL AT 1-800-448-4131 FOR QUESTIONS.

11 Close luminaire. Snap luminaire into the housing (6x). Make sure power cord does not get caught between housing and luminaire. Pay attention that luminaire and housing tight fit onto the ceiling.

