

*ICOS for TECTON*

DO NOT REMOVE THE LED ASSEMBLY. THIS WILL VOID THE WARRANTY. CALL ZUMTOBEL AT 1-800-448-4131 FOR QUESTIONS.

**RISK OF FIRE AND ELECTRICAL SHOCK**

Contact, improper installation, or improper servicing **MAY RESULT IN DEATH OR SERIOUS INJURY!** Fixture must be installed by a qualified electrician only. Fixture is intended for installation in accordance with the National Electrical Code, local and federal code specifications. Disconnect power at electrical panel before servicing. Retain these instructions for maintenance reference.

**ADVERTENCIA: RIESGO DE INCENDIO O IMPACTO ELÉCTRICO**

Conexión, instalación inapropiada o servicio incorrecto **PUEDE CAUSAR MUERTE O HERIDAS GRAVES.** La luminaria debe ser instalada únicamente por un eléctrico calificado. La luminaria debe instalarse de acuerdo al Norma eléctrica nacional, al igual que especificaciones locales y normas federales. Se debe desconectar la corriente eléctrica antes de realizar la mantención. Conservar estas instrucciones como referencia para futuras mantenciones.

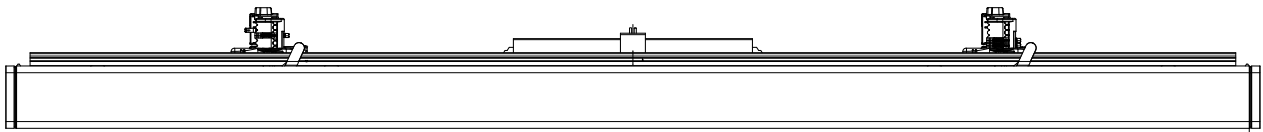
**ATTENTION: RISQUE D'INCENDIE ET D'ELECTROCUTION**

Une installation, un entretien ou un contact physique non conforme pourraient mener à un **DANGER DE MORT OU DE BLESSURE GRAVE!** L'appareil doit être installé uniquement par un électricien professionnel qualifié. L'installation doit respecter le code électrique national de même que les lois locales et fédérales en vigueur. Veuillez fermer l'alimentation électrique au panneau principal avant tout entretien. Conservar ces instructions pour référence et tout entretien futur.

**IMPORTANT PREINSTALLATION NOTE**

This fixture may be installed on either a surface mounted or pendant mounted TECTON trunking system.

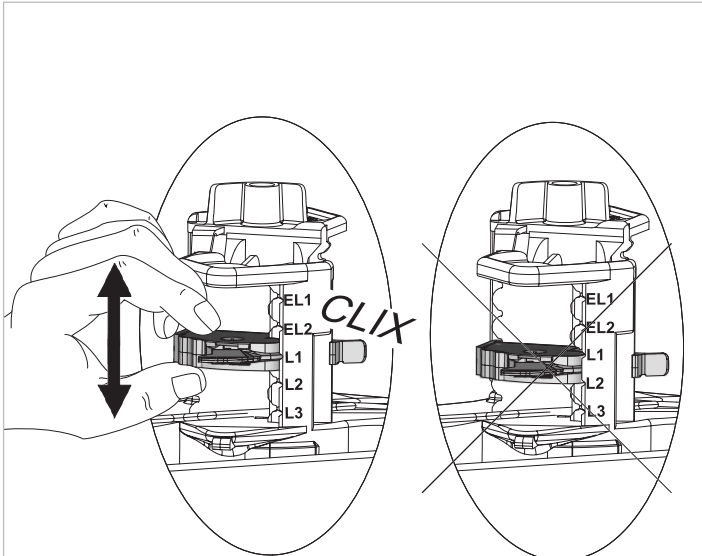
*The following installation instructions relate to the options below*

**ICOS FOR TECTON**

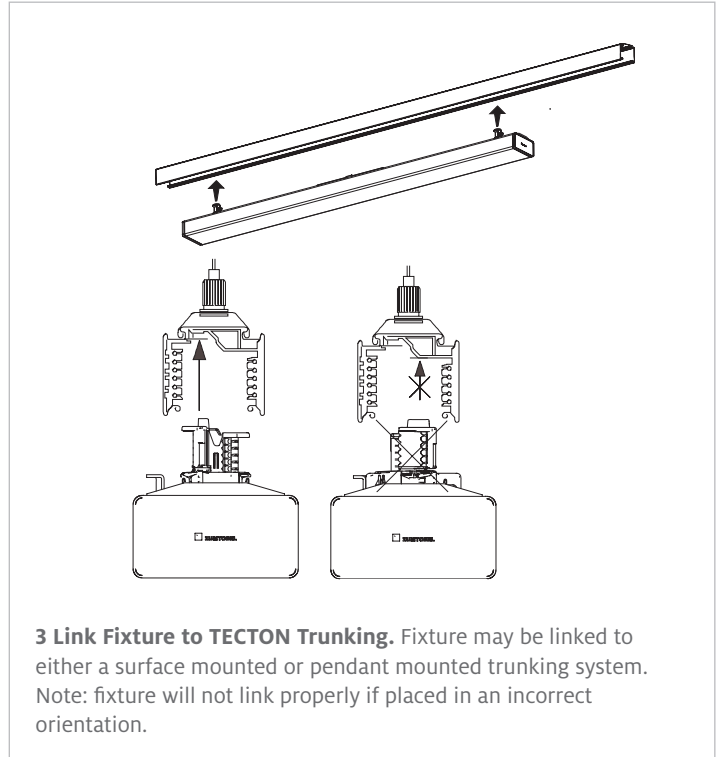
ICOS for TECTON

DO NOT REMOVE THE LED ASSEMBLY. THIS WILL VOID THE WARRANTY. CALL ZUMTOBEL AT 1-800-448-4131 FOR QUESTIONS.

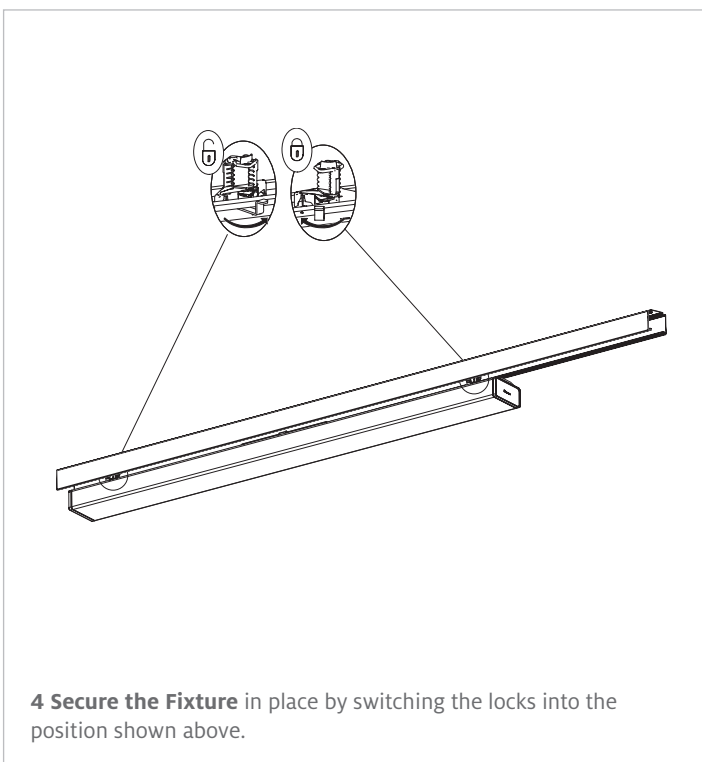
TECTON INSTALLATION - INDIVIDUAL



- 1 Remove All Covers** from electrical adapters of trunking connector.
- 2 Move the Circuit Choice** to the desired position. If using with the Tecton Sensor fixture must be set at L2.



- 3 Link Fixture to TECTON Trunking.** Fixture may be linked to either a surface mounted or pendant mounted trunking system. Note: fixture will not link properly if placed in an incorrect orientation.



- 4 Secure the Fixture** in place by switching the locks into the position shown above.

*ICOS for TECTON*

DO NOT REMOVE THE LED ASSEMBLY. THIS WILL VOID THE WARRANTY. CALL ZUMTOBEL AT 1-800-448-4131 FOR QUESTIONS.

**TECTON INSTALLATION - CONTINUOUS ROW**