

# SLOTLIGHT III

## INSTALLATION GUIDE FOR AFTER SHEETROCK CEILINGS

**THIS IS NOT COMPATIBLE FOR CLASS II CIRCUITS.**  
**PRODUCT Call Zumtobel at 1-800-448-4131 for questions.**

### ***SLOTLIGHT III***

#### **RISK OF FIRE AND ELECTRICAL SHOCK**

- Contact, improper installation, or improper servicing **MAY RESULT IN DEATH OR SERIOUS INJURY!**
- Fixture must be installed by a qualified electrician only.
- Fixture is intended for installation in accordance with the National Electrical Code, local and federal code specifications.
- Disconnect power at electrical panel before servicing. Retain these instructions for maintenance reference.
- Do not install damaged product! This luminaire has been properly packaged so that no parts should have been damaged during transit. Inspect to confirm. Any part damaged/broken during installation should be replaced.

#### **RIESGO DE INCENDIO Y CHOQUE ELECTRICO**

- ¡El contacto, la instalación incorrecta o el servicio incorrecto **PUEDEN RESULTAR EN LA MUERTE O LESIONES GRAVES!**
- El accesorio debe ser instalado por un electricista calificado solamente.
- El accesorio está diseñado para su instalación de acuerdo con el Código Eléctrico Nacional, código local y federal • especificaciones.
- Desconecte la alimentación en el panel eléctrico antes de realizar el mantenimiento. Conserve estas instrucciones como referencia de mantenimiento.
- ¡No instale el producto dañado! Esta luminaria se ha empaquetado correctamente para que ninguna pieza se haya dañado durante el transporte. Inspeccionar para confirmar. Cualquier pieza dañada / rota durante la instalación debe ser reemplazada.

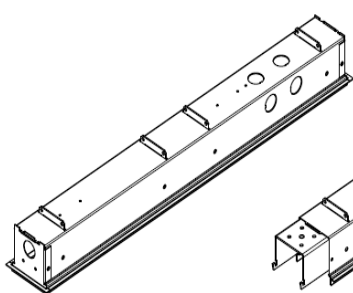
#### **RISQUE D'INCENDIE ET DE CHOC ÉLECTRIQUE**

- Un contact, une installation ou un entretien incorrects **PEUVENT ENTRAÎNER LA MORT OU DES BLESSURES GRAVES!**
- Le luminaire doit être installé par un électricien qualifié uniquement.
- Le luminaire est destiné à être installé conformément au code national de l'électricité, aux codes local et fédéral Cractéristiques.
- Débranchez le panneau électrique avant de procéder à l'entretien. Conservez ces instructions pour référence de maintenance.
- N'installez pas de produit endommagé! Ce luminaire a été correctement emballé afin qu'aucune pièce ne soit endommagée pendant le transport. Inspecter pour confirmer. Toute pièce endommagée / cassée lors de l'installation doit être remplacée.

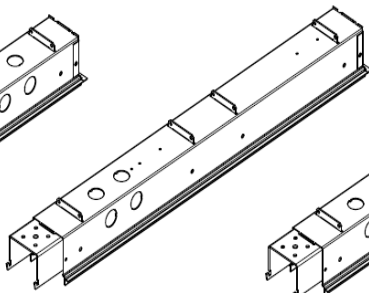
# SLOTLIGHT III

## INSTALLATION GUIDE FOR AFTER SHEETROCK CEILINGS

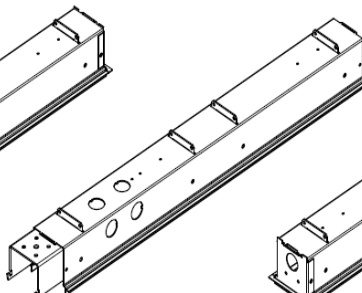
### fixture bodies



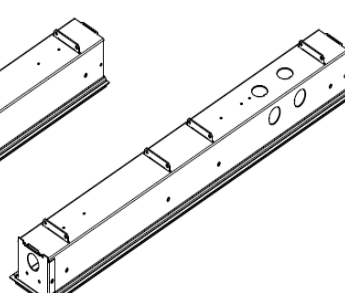
INDIVIDUAL FIXTURE  
TWO END CAPS



START FIXTURE  
ONE END CAP  
ONE JOINER

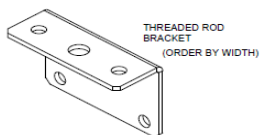


MID FIXTURE  
NO END CAPS  
ONE JOINER

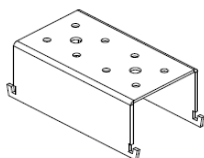


END FIXTURE  
ONE END CAP  
NO JOINER

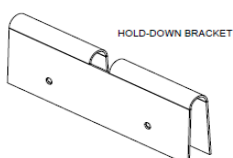
### components and tools



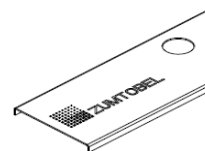
THREADED ROD  
BRACKET  
(ORDER BY WIDTH)



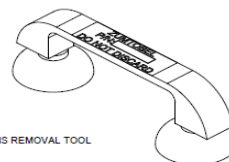
HOUSING JOINER  
(ORDER BY WIDTH)



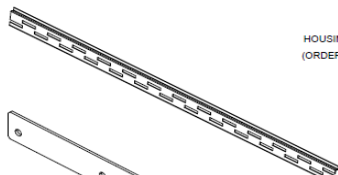
HOLD-DOWN BRACKET



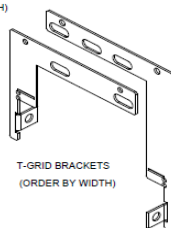
LENS CUTTING AID  
(ORDER BY WIDTH)



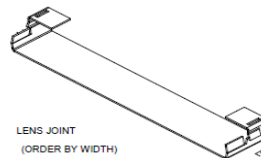
LENS REMOVAL TOOL



PERIMETER MOUNT RAIL



T-GRID BRACKETS  
(ORDER BY WIDTH)



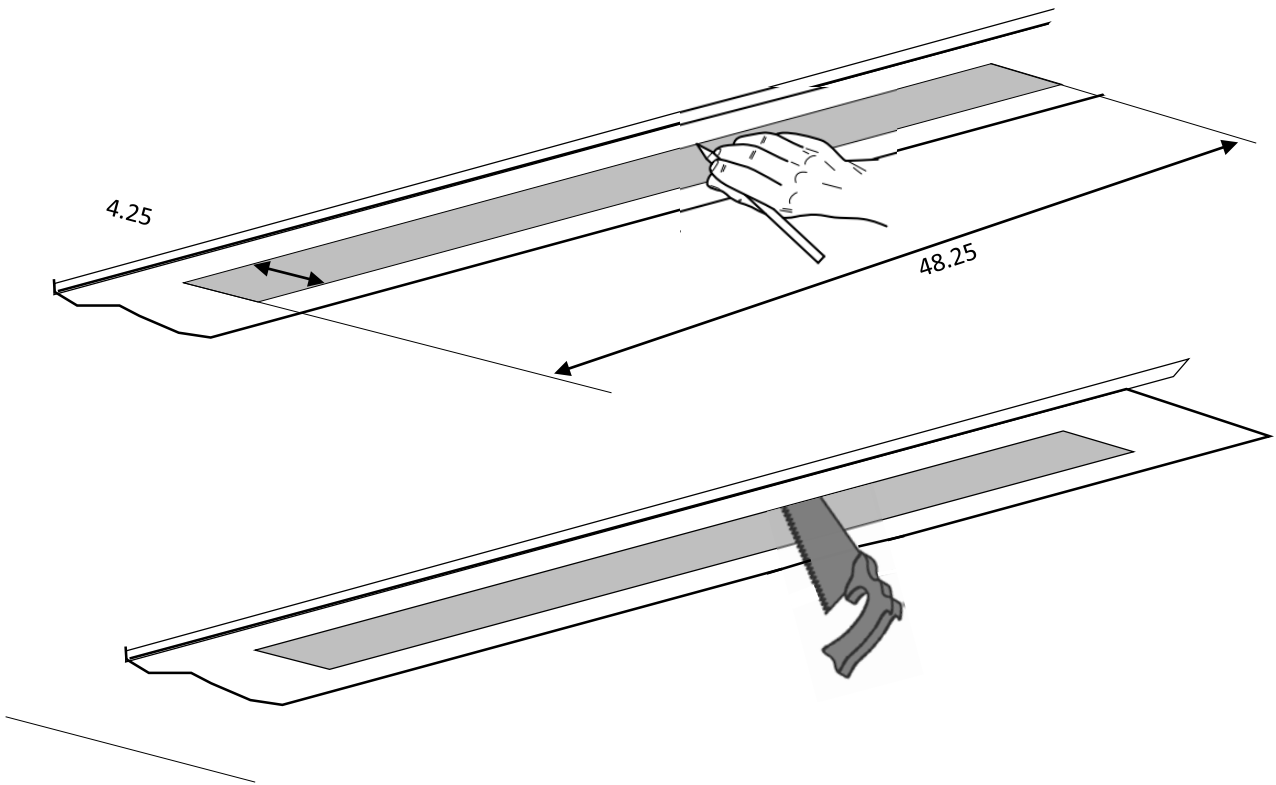
LENS JOINT  
(ORDER BY WIDTH)

PERIMETER RAIL HOOK  
(ORDER BY WIDTH)

# SLOTLIGHT III

## INSTALLATION GUIDE FOR AFTER SHEETROCK CEILINGS

**Important Pre-installation Note:** These instructions are after sheetrock ceilings only. For other ceiling conditions, consult factory.



The dimension should be  $\frac{1}{4}$ " longer than the fixture and  $\frac{1}{4}$ " wider than the fixture. This is for IND and for Continuous Runs.

The above cut dimensions shown are for a 4' IND fixture that is 4" wide.



**RISK OF FIRE AND ELECTRICAL SHOCK**



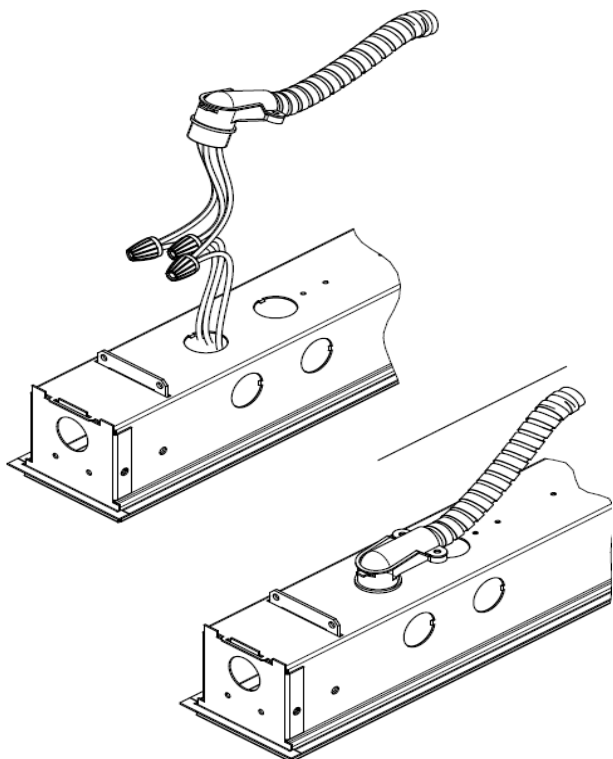
**CONTACT, IMPROPER INSTALLATION, OR IMPROPER SERVICING MAY RESULT IN DEATH OR SERIOUS INJURY!**

Fixture must be installed by a qualified electrician only. Fixture is intended for installation in accordance with the National Electrical Code, local and federal code specifications. Disconnect power at electrical panel before servicing. Retain these instructions for maintenance reference.

# SLOTLIGHT III

## CONTINUOUS INSTALLATION GUIDE FOR AFTER SHEETROCK CEILINGS

**Important Pre-installation Note:** These instructions are after sheetrock ceilings only. For other ceiling conditions, consult factory.



Make electrical connection and secure whip using knockout holes provided.

Whip supplied by others.



**RISK OF FIRE AND ELECTRICAL SHOCK**

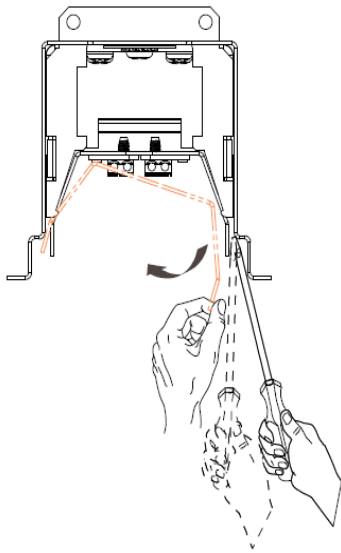


**CONTACT, IMPROPER INSTALLATION, OR IMPROPER SERVICING MAY RESULT IN DEATH OR SERIOUS INJURY!**

Fixture must be installed by a qualified electrician only. Fixture is intended for installation in accordance with the National Electrical Code, local and federal code specifications. Disconnect power at electrical panel before servicing. Retain these instructions for maintenance reference.

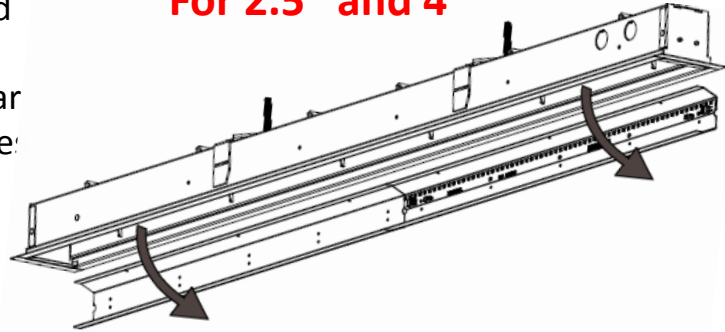
# SLOTLIGHT III

## INSTALLATION GUIDE FOR AFTER SHEETROCK CEILINGS

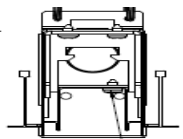


Using a flat head screw driver. Remove LED gear tray ( stamp hole are marked on reflector for guidance)

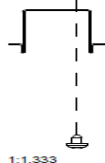
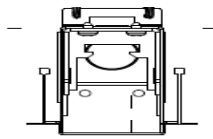
**For 2.5" and 4"**



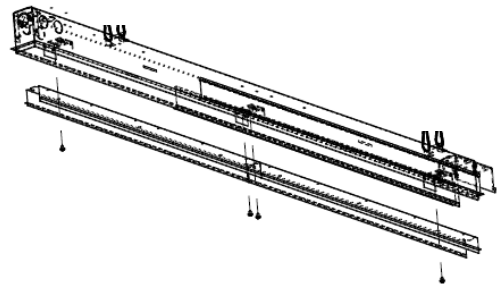
**For 1.5"**



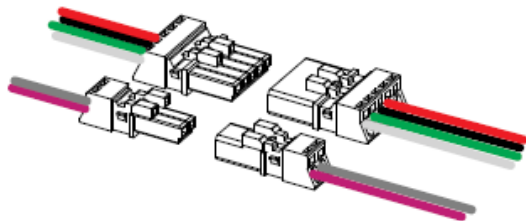
GEAR TRAY MUST BE UNSCREWED FROM BRACKETS IN ORDER TO REMOVE FROM FIXTURE



1:1.333



14



Once LED gear tray has been removed make electrical connection to the next fixture using quick connectors supplied , then re-install LED gear tray



**RISK OF FIRE AND ELECTRICAL SHOCK**



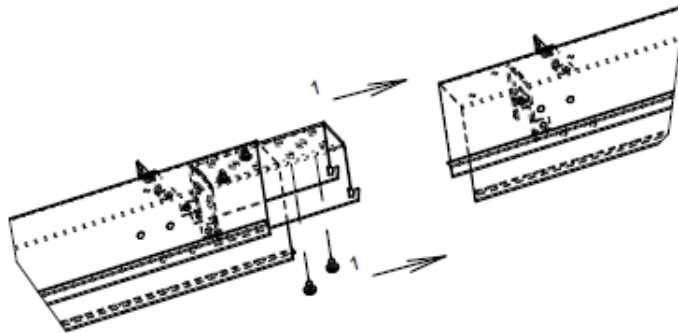
**CONTACT, IMPROPER INSTALLATION, OR IMPROPER SERVICING MAY RESULT IN DEATH OR SERIOUS INJURY!**

Fixture must be installed by a qualified electrician only. Fixture is intended for installation in accordance with the National Electrical Code, local and federal code specifications. Disconnect power at electrical panel before servicing. Retain these instructions for maintenance reference.

# SLOTLIGHT III

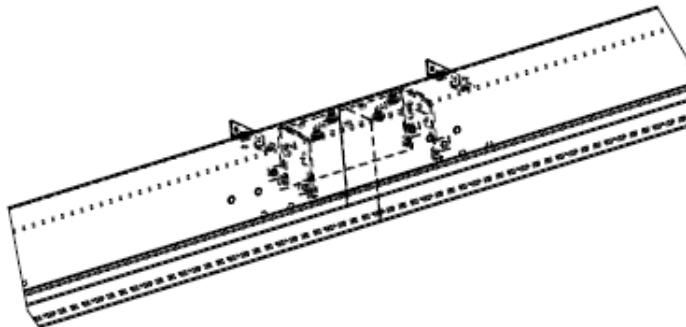
## INSTALLATION GUIDE FOR AFTER SHEETROCK CEILINGS

Skip this step for INDIVIDUAL units



### JOINER INSTALLATION

(ALL FLANGE TYPES)



For continuous run install run joiner  
and secure with 4 screws supplied



**RISK OF FIRE AND ELECTRICAL SHOCK**



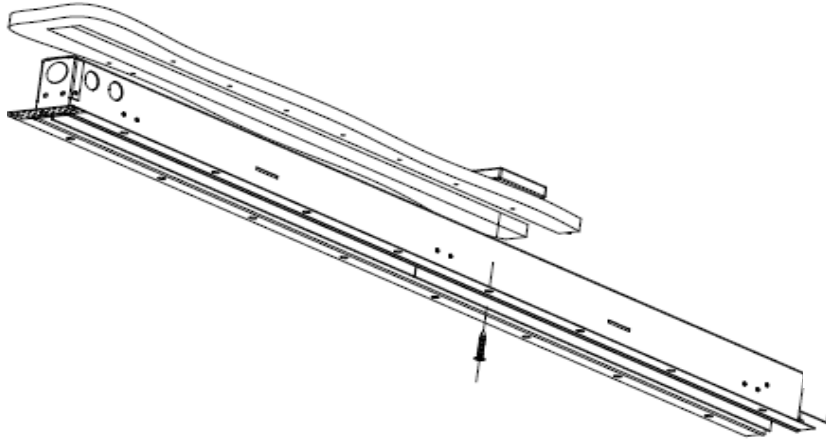
**CONTACT, IMPROPER INSTALLATION, OR IMPROPER SERVICING MAY RESULT IN DEATH OR SERIOUS INJURY!**

Fixture must be installed by a qualified electrician only. Fixture is intended for installation in accordance with the National Electrical Code, local and federal code specifications. Disconnect power at electrical panel before servicing. Retain these instructions for maintenance reference.

# SLOTLIGHT III

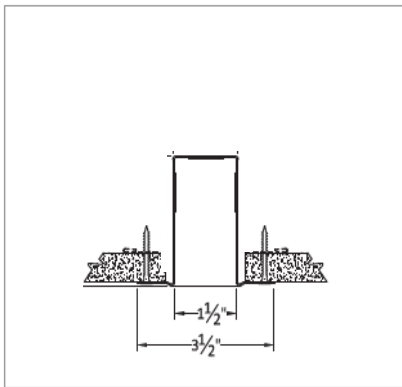
## INSTALLATION GUIDE FOR AFTER SHEETROCK CEILINGS

**Important Pre-installation Note:** These instructions are after sheetrock ceiling only. For other ceiling conditions, consult factory.

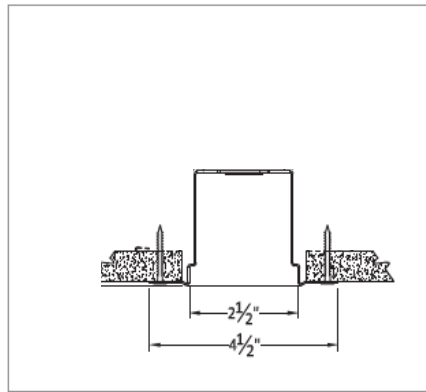


**Fixture width must be maintained during installation**

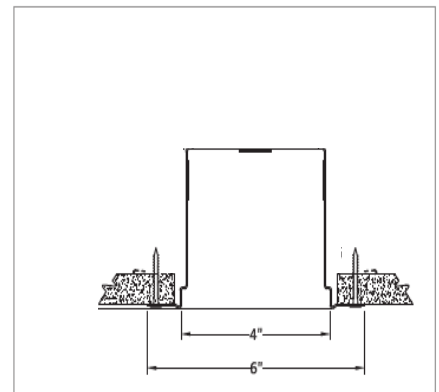
EA | After Sheetrock, Flangeless



EA | After Sheetrock, Flangeless



EA | After Sheetrock, Flangeless



**RISK OF FIRE AND ELECTRICAL SHOCK**



**CONTACT, IMPROPER INSTALLATION, OR IMPROPER SERVICING MAY RESULT IN DEATH OR SERIOUS INJURY!**

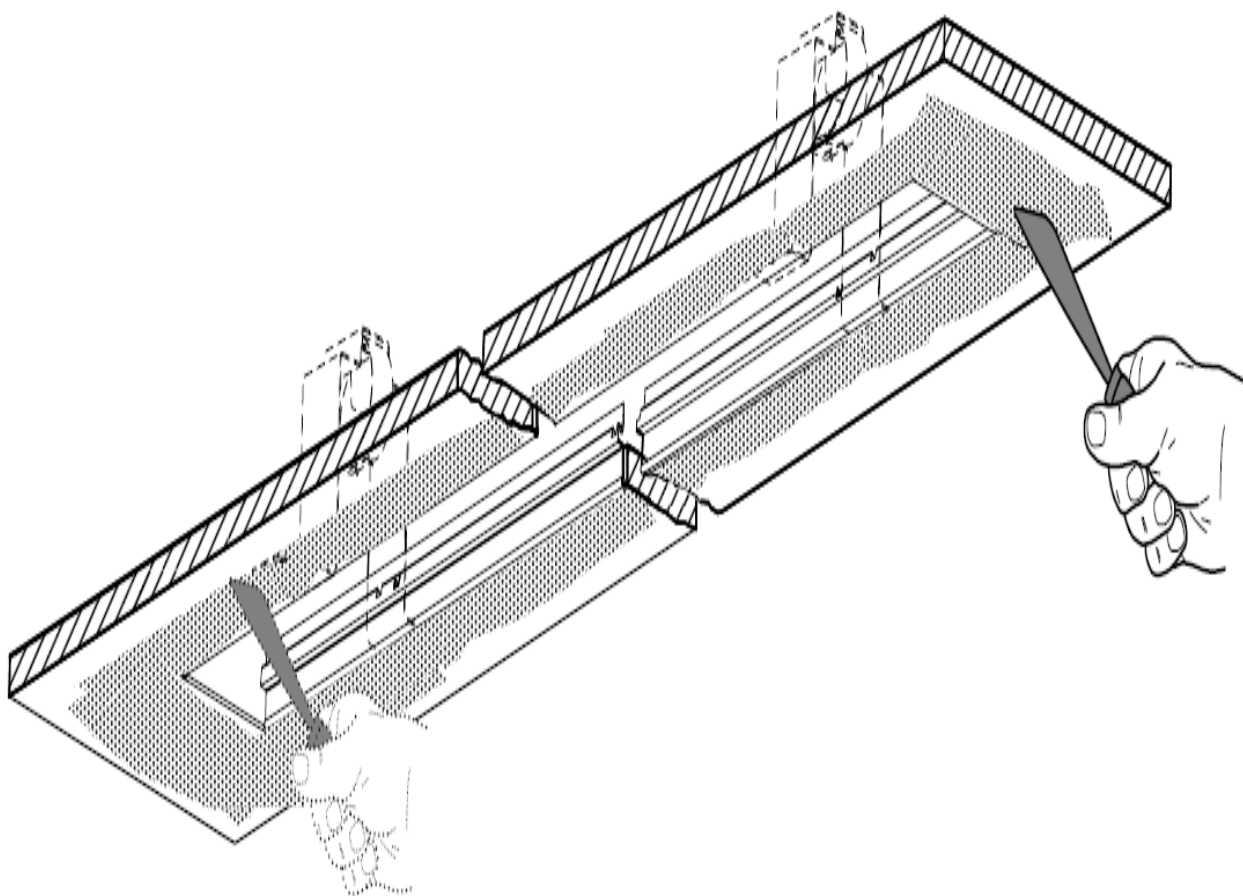
Fixture must be installed by a qualified electrician only. Fixture is intended for installation in accordance with the National Electrical Code, local and federal code specifications. Disconnect power at electrical panel before servicing. Retain these instructions for maintenance reference.

# SLOTLIGHT III

## INSTALLATION GUIDE FOR AFTER SHEETROCK CEILINGS

**Important Pre-installation Note:** These instructions are after sheetrock ceilings only. For other ceiling conditions, consult factory.

**ALL DUST AND CONTAMINATION MUST BE REMOVED  
FROM CHANNEL PRIOR TO LENS INSTALL**



### **RISK OF FIRE AND ELECTRICAL SHOCK**

**CONTACT, IMPROPER INSTALLATION, OR IMPROPER SERVICING MAY RESULT IN DEATH OR SERIOUS INJURY!**

Fixture must be installed by a qualified electrician only. Fixture is intended for installation in accordance with the National Electrical Code, local and federal code specifications. Disconnect power at electrical panel before servicing. Retain these instructions for maintenance reference.



# SLOTLIGHT III

## INSTALLATION GUIDE AFTER SHEETROCK CEILINGS

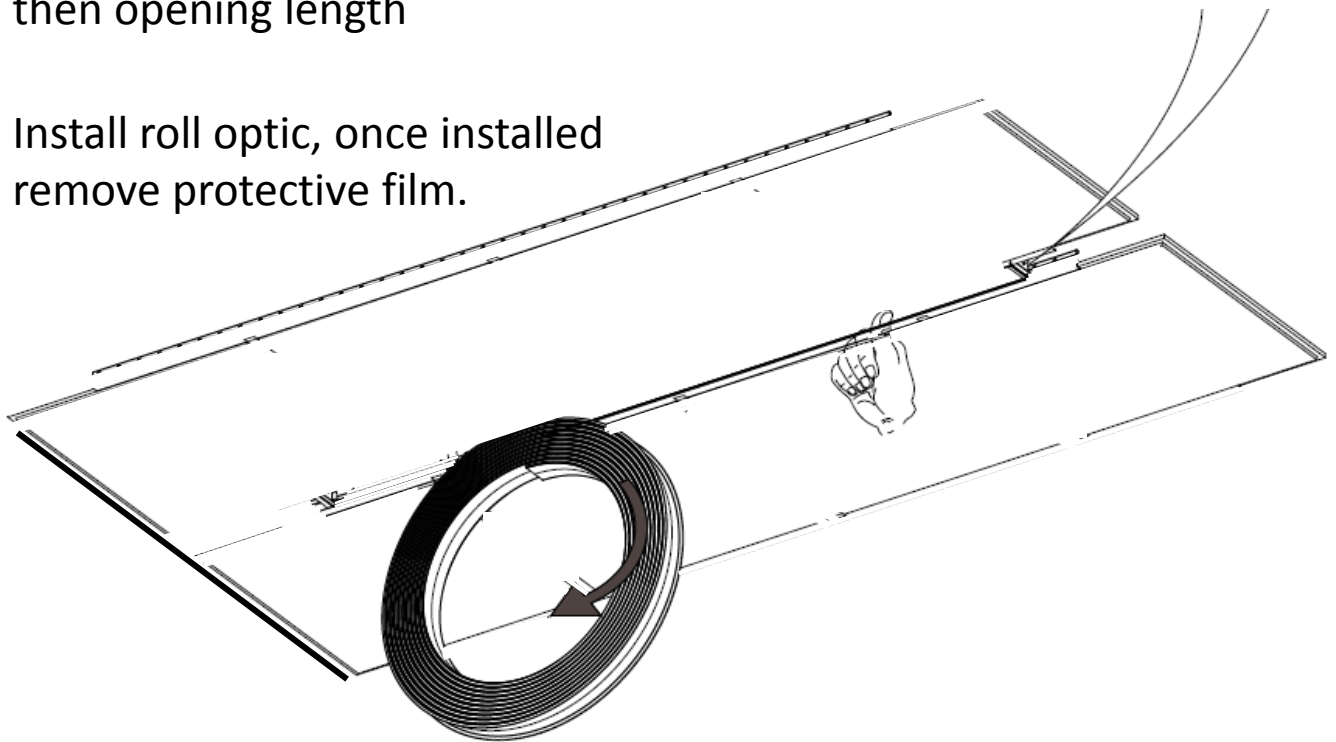
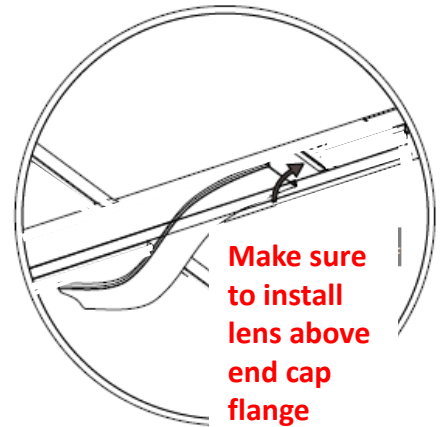
DO NOT REMOVE **FILM** FROM LENS **PRIOR** TO INSTALL

**LENS MUST REMAIN BAGGED  
UNTIL LENS INSTALLATION**

Measure fixture from end cap  
to end cap

Cut roll  $\frac{1}{2}$  Inch longer  
then opening length

Install roll optic, once installed  
remove protective film.



**ALL DUST AND CONTAMINATION MUST BE  
REMOVED FROM CHANNEL PRIOR TO LENS  
INSTALL**



**RISK OF FIRE AND ELECTRICAL SHOCK**



**CONTACT, IMPROPER INSTALLATION, OR IMPROPER SERVICING MAY RESULT IN DEATH OR SERIOUS INJURY!**

Fixture must be installed by a qualified electrician only. Fixture is intended for installation in accordance with the National Electrical Code, local and federal code specifications. Disconnect power at electrical panel before servicing. Retain these instructions for maintenance reference.