

**INSTALLATION GUIDE FOR PENDANT FIXTURES**

**THIS IS NOT COMPATIBLE FOR CLASS II CIRCUITS.  
PRODUCT Call Zumtobel at 1-800-448-4131 for questions.**

***SLOTLIGHT III*****RISK OF FIRE AND ELECTRICAL SHOCK**

- Contact, improper installation, or improper servicing **MAY RESULT IN DEATH OR SERIOUS INJURY!**
- Fixture must be installed by a qualified electrician only.
- Fixture is intended for installation in accordance with the National Electrical Code, local and federal code specifications.
- Disconnect power at electrical panel before servicing. Retain these instructions for maintenance reference.
- Do not install damaged product! This luminaire has been properly packaged so that no parts should have been damaged during transit. Inspect to confirm. Any part damaged/broken during installation should be replaced.

**RIESGO DE INCENDIO Y CHOQUE ELECTRICO**

- ¡El contacto, la instalación incorrecta o el servicio incorrecto **PUEDEN RESULTAR EN LA MUERTE O LESIONES GRAVES!**
- El accesorio debe ser instalado por un electricista calificado solamente.
- El accesorio está diseñado para su instalación de acuerdo con el Código Eléctrico Nacional, código local y federal • especificaciones.
- Desconecte la alimentación en el panel eléctrico antes de realizar el mantenimiento. Conserve estas instrucciones como referencia de mantenimiento.
- ¡No instale el producto dañado! Esta luminaria se ha empaquetado correctamente para que ninguna pieza se haya dañado durante el transporte. Inspeccionar para confirmar. Cualquier pieza dañada / rota durante la instalación debe ser reemplazada.

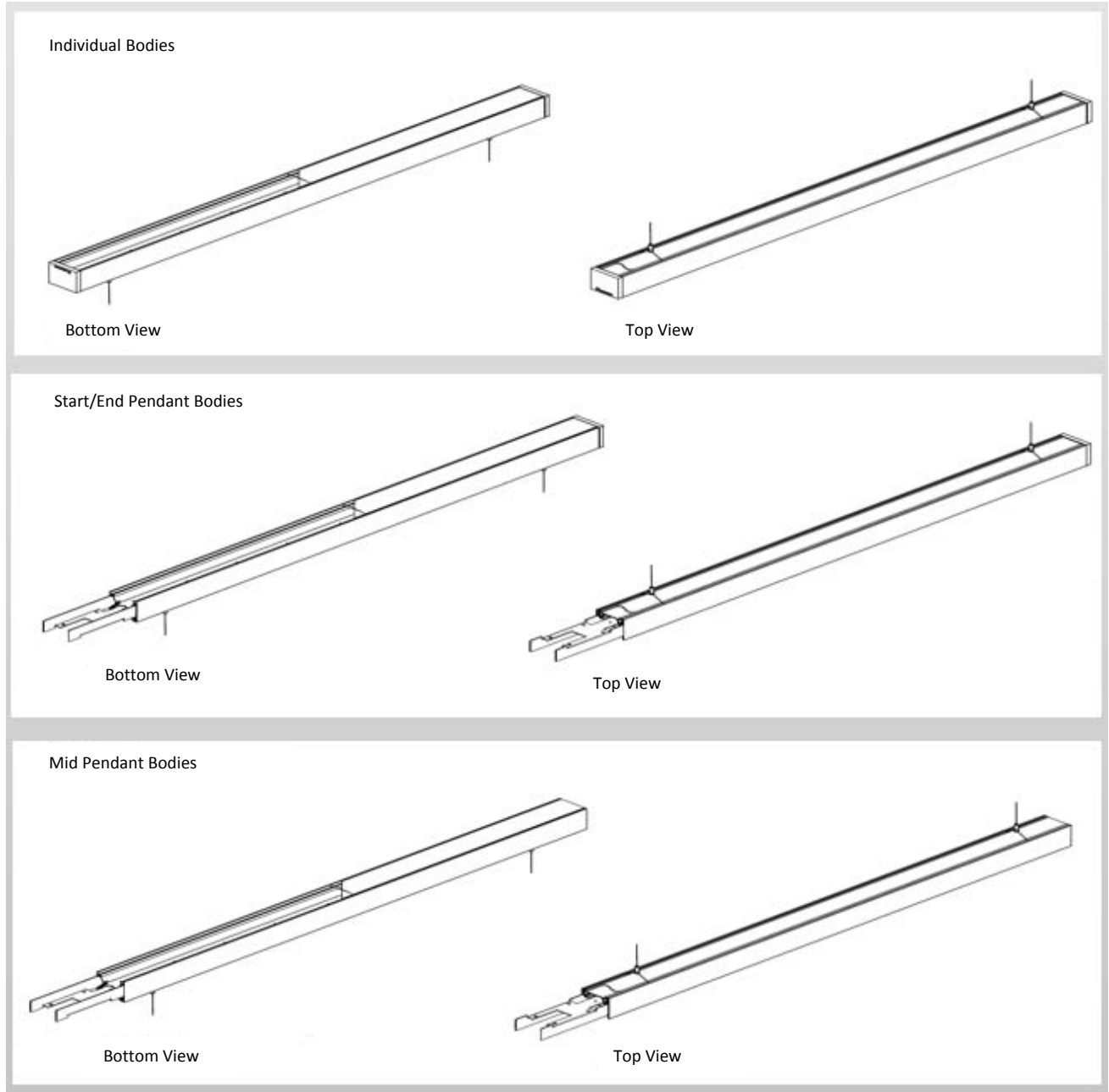
**RISQUE D'INCENDIE ET DE CHOC ÉLECTRIQUE**

- Un contact, une installation ou un entretien incorrects **PEUVENT ENTRAÎNER LA MORT OU DES BLESSURES GRAVES!**
- Le luminaire doit être installé par un électricien qualifié uniquement.
- Le luminaire est destiné à être installé conformément au code national de l'électricité, aux codes local et fédéral Caractéristiques.
- Débranchez le panneau électrique avant de procéder à l'entretien. Conservez ces instructions pour référence de maintenance.
- N'installez pas de produit endommagé! Ce luminaire a été correctement emballé afin qu'aucune pièce ne soit endommagée pendant le transport. Inspecter pour confirmer. Toute pièce endommagée / cassée lors de l'installation doit être remplacée.

# SLOTLIGHT III

## INSTALLATION GUIDE FOR PENDANT FIXTURES

### fixture bodies



**RISK OF FIRE AND ELECTRICAL SHOCK**



**CONTACT, IMPROPER INSTALLATION, OR IMPROPER SERVICING MAY RESULT IN DEATH OR SERIOUS INJURY!**

Fixture must be installed by a qualified electrician only. Fixture is intended for installation in accordance with the National Electrical Code, local and federal code specifications. Disconnect power at electrical panel before servicing. Retain these instructions for maintenance reference.

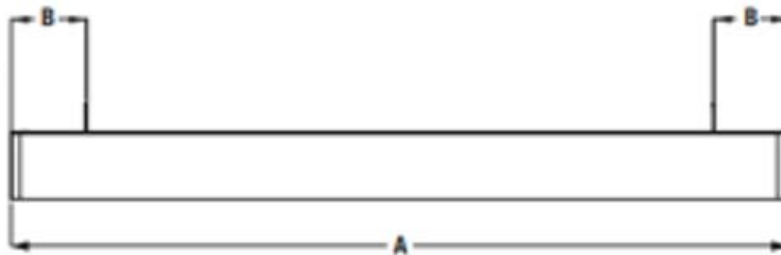
# SLOTLIGHT III

## INSTALLATION GUIDE FOR PENDANT FIXTURES

Unpack fixture. Fixture is shipped pre-assembled with power cord attached. Suspension hardware packaged separately from fixture.

---

Determine spacing for mounting points



**A - Fixture Length**

4ft Individual	4"
8ft Individual	8"

**B - Recommended minimum distance from endcap to suspension**

1"-6" min

**Fixture weights:**

4 ft.	7-1/2 lbs
8 ft.	13-1/2 lbs

**Maximum distance between suspension points must not exceed 8 feet**

---



**RISK OF FIRE AND ELECTRICAL SHOCK**



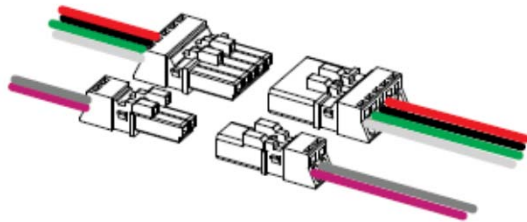
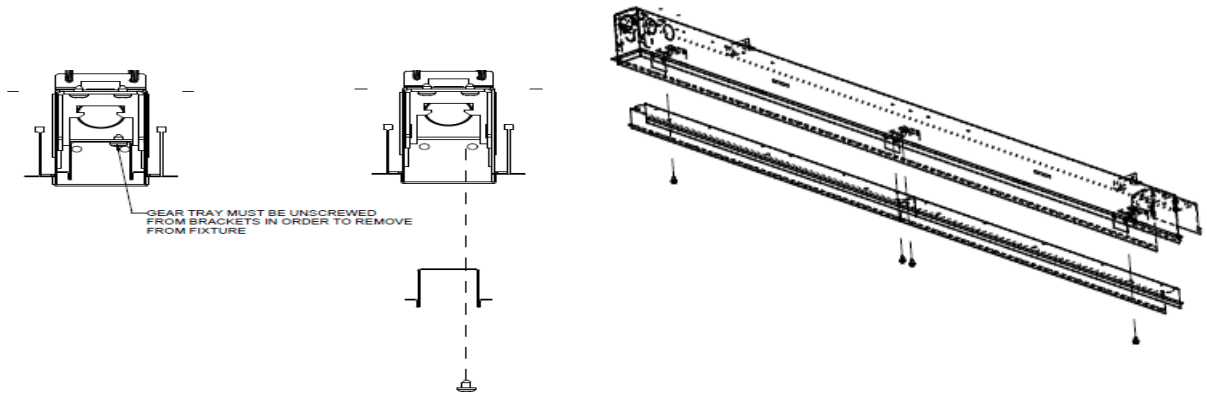
**CONTACT, IMPROPER INSTALLATION, OR IMPROPER SERVICING MAY RESULT IN DEATH OR SERIOUS INJURY!**

Fixture must be installed by a qualified electrician only. Fixture is intended for installation in accordance with the National Electrical Code, local and federal code specifications. Disconnect power at electrical panel before servicing. Retain these instructions for maintenance reference.

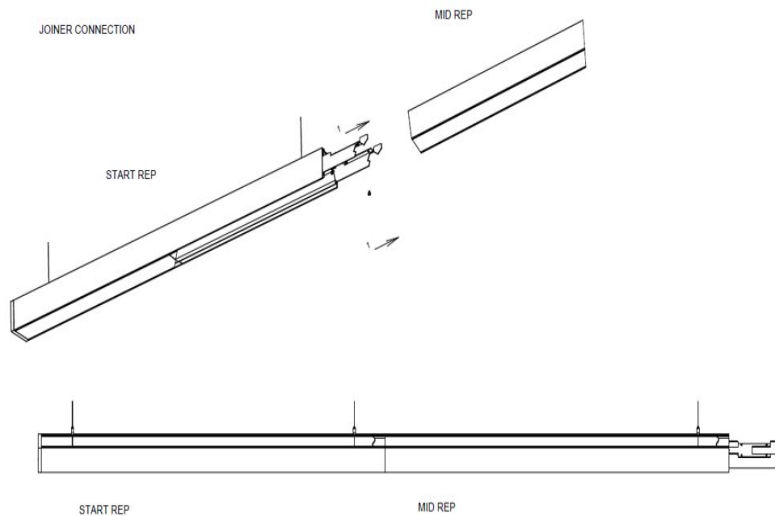
# SLOTLIGHT III

## INSTALLATION GUIDE FOR PENDANT FIXTURES

This step for Continuous Runs ONLY



Once LED gear tray has been removed make electrical connection to the next fixture using quick connectors supplied , then re-install LED gear tray



**RISK OF FIRE AND ELECTRICAL SHOCK**



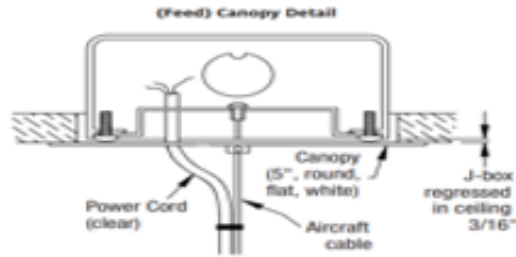
**CONTACT, IMPROPER INSTALLATION, OR IMPROPER SERVICING MAY RESULT IN DEATH OR SERIOUS INJURY!**

Fixture must be installed by a qualified electrician only. Fixture is intended for installation in accordance with the National Electrical Code, local and federal code specifications. Disconnect power at electrical panel before servicing. Retain these instructions for maintenance reference.

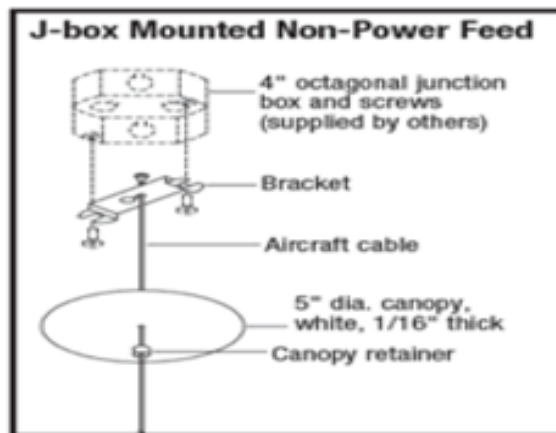
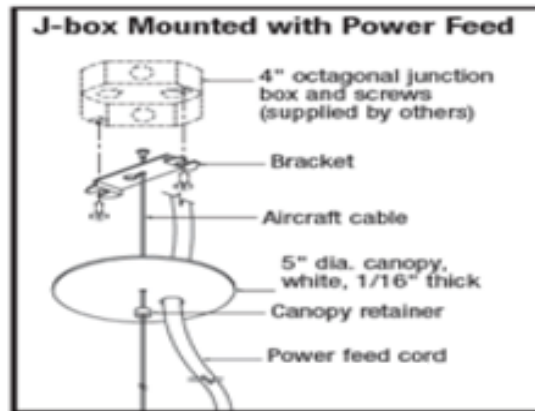
# SLOTLIGHT III

## CONTINUOUS INSTALLATION GUIDE FOR PENDANT FIXTURES

**Prepare ceiling/  
wall for junction  
box and suspension  
installation using  
method(s) below  
that apply to your  
installation.**



**Mount suspension as shown**



***Note: For feed locations, use canopy provided with power cord.***



**RISK OF FIRE AND ELECTRICAL SHOCK**



**CONTACT, IMPROPER INSTALLATION, OR IMPROPER SERVICING MAY RESULT IN DEATH OR SERIOUS INJURY!**

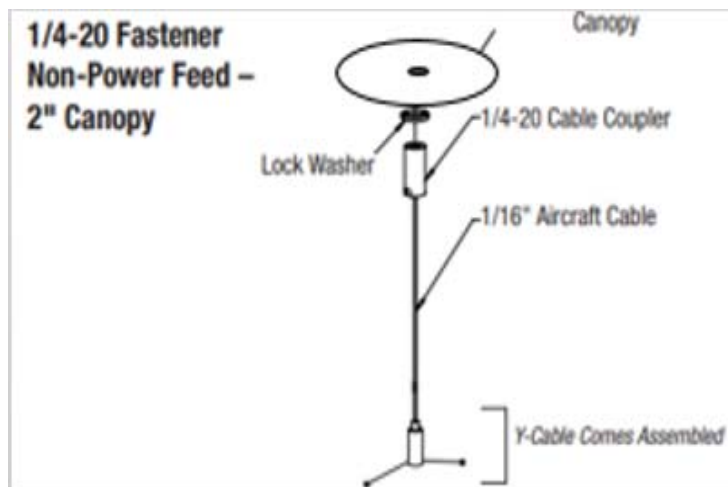
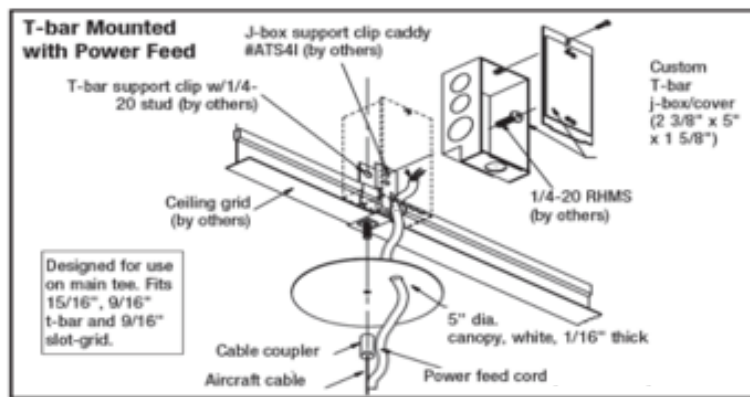
Fixture must be installed by a qualified electrician only. Fixture is intended for installation in accordance with the National Electrical Code, local and federal code specifications. Disconnect power at electrical panel before servicing. Retain these instructions for maintenance reference.

# SLOTLIGHT III

## INSTALLATION GUIDE FOR PENDANT FIXTURES

**For T-bar mounting:** Attach T-bar support clip to T-bar ceiling. Align T-bar support clip to junction box for easy wiring.

### T-bar Mounted with Power Feed



**RISK OF FIRE AND ELECTRICAL SHOCK**



**CONTACT, IMPROPER INSTALLATION, OR IMPROPER SERVICING MAY RESULT IN DEATH OR SERIOUS INJURY!**

Fixture must be installed by a qualified electrician only. Fixture is intended for installation in accordance with the National Electrical Code, local and federal code specifications. Disconnect power at electrical panel before servicing. Retain these instructions for maintenance reference.

# SLOTLIGHT III

## INSTALLATION GUIDE FOR PENDANT FIXTURES

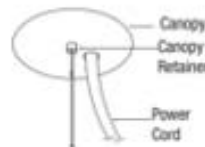
Insert aircraft cable from ceiling into the cable connector. Press top of spring-loaded cable connector and release once the desired height is reached.

Level fixture, then tighten the bottom of the cable connector. Cut excess aircraft cable to desired length.



**Make electrical connections** using supplied power cord. Attach canopy ground wire to a suitable point in the junction box, per NEC and local codes.

**Place canopy into stud** to cover junction box. Repeat for all canopies.



**Secure power cord** to aircraft cable with wire ties provided. Wire ties provide strain relief.



**RISK OF FIRE AND ELECTRICAL SHOCK**



**CONTACT, IMPROPER INSTALLATION, OR IMPROPER SERVICING MAY RESULT IN DEATH OR SERIOUS INJURY!**

Fixture must be installed by a qualified electrician only. Fixture is intended for installation in accordance with the National Electrical Code, local and federal code specifications. Disconnect power at electrical panel before servicing. Retain these instructions for maintenance reference.

# SLOTLIGHT III

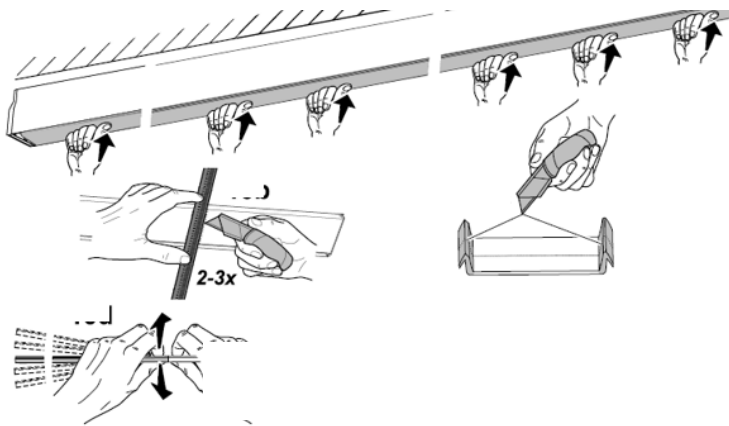
## INSTALLATION GUIDE FOR PENDANT FIXTURES

**DO NOT REMOVE FILM FROM LENS PRIOR TO INSTALL**

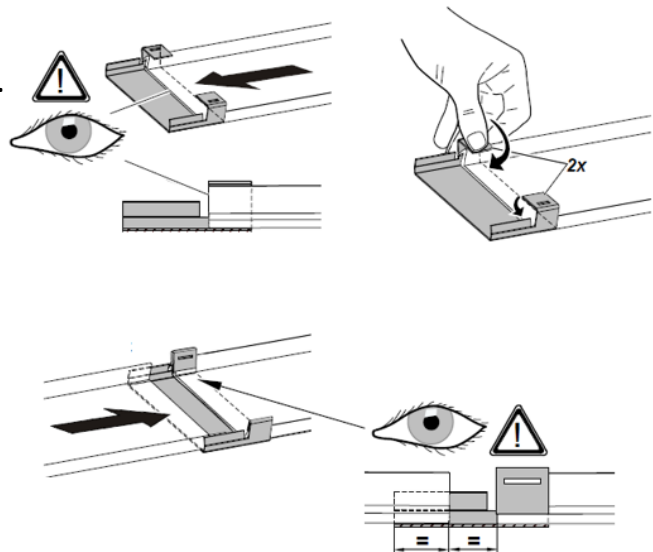
**LENS MUST REMAIN BAGGED UNTIL LENS INSTALLATION**

Measure fixture from end cap to end cap

Cut roll  $\frac{1}{2}$  inch longer than opening length



Once installed remove protective film.



**RISK OF FIRE AND ELECTRICAL SHOCK**



**CONTACT, IMPROPER INSTALLATION, OR IMPROPER SERVICING MAY RESULT IN DEATH OR SERIOUS INJURY!**

Fixture must be installed by a qualified electrician only. Fixture is intended for installation in accordance with the National Electrical Code, local and federal code specifications. Disconnect power at electrical panel before servicing. Retain these instructions for maintenance reference.