

*TECTON LED Linear 59"/79"*

DO NOT REMOVE THE LED ASSEMBLY. THIS WILL VOID THE WARRANTY. CALL ZUMTOBEL AT 1-800-448-4131 FOR QUESTIONS.

**RISK OF FIRE AND ELECTRICAL SHOCK**

Contact, improper installation, or improper servicing MAY RESULT IN DEATH OR SERIOUS INJURY! Fixture must be installed by a qualified electrician only. Fixture is intended for installation in accordance with the National Electrical Code, local and federal code specifications. Disconnect power at electrical panel before servicing. Retain these instructions for maintenance reference.

**ADVERTENCIA: RIESGO DE INCENDIO O IMPACTO ELÉCTRICO**

Conexión, instalación inapropiada o servicio incorrecto PUEDE CAUSAR MUERTE O HERIDAS GRAVES. La luminaria debe ser instalada únicamente por un eléctrico calificado. La luminaria debe instalarse de acuerdo al Norma eléctrica nacional, al igual que especificaciones locales y normas federales. Se debe desconectar la corriente eléctrica antes de realizar la mantención. Conservar estas instrucciones como referencia para futuras mantenciones.

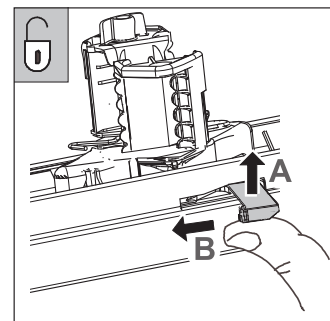
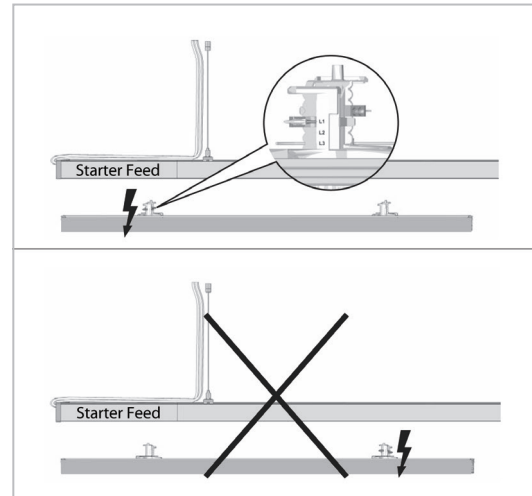
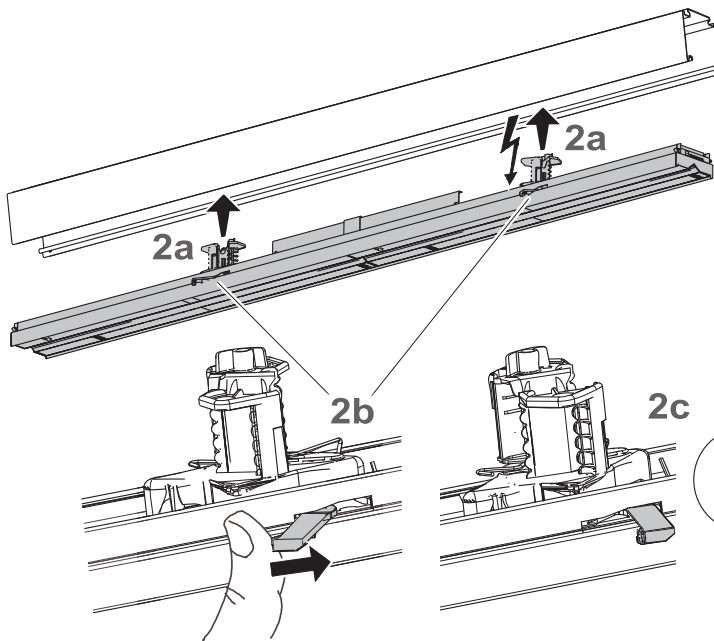
**ATTENTION: RISQUE D'INCENDIE ET D'ELECTROCUTION**

Une installation, un entretien ou un contact physique non conforme pourraient mener à un DANGER DE MORT OU DE BLESSURE GRAVE! L'appareil doit être installé uniquement par un électricien professionnel qualifié. L'installation doit respecter le code électrique national de même que les lois locales et fédérales en vigueur. Veuillez fermer l'alimentation électrique au panneau principal avant tout entretien. Conservé ces instructions pour référence et tout entretien futur.

**FOR WIDE, NARROW, SHELF BEAM MODELS:**

**1a. After Trunking has Been Installed and Connected, Attach Batten to it.**

Trunking is polarized allowing for installation in one direction only. See image below. Rotate the CLIX handle to lock the batten to the trunking. Insert the end caps to complete the installation.

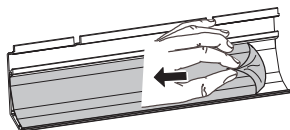


TECTON LED Linear 59"/79"

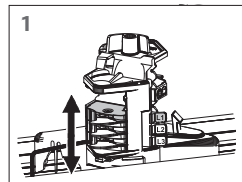
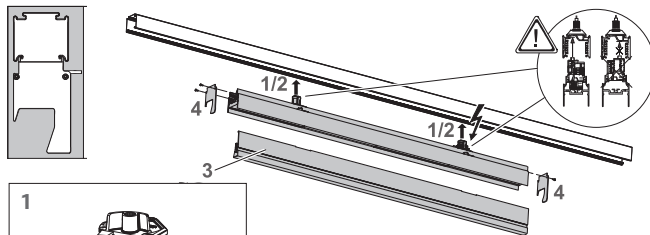
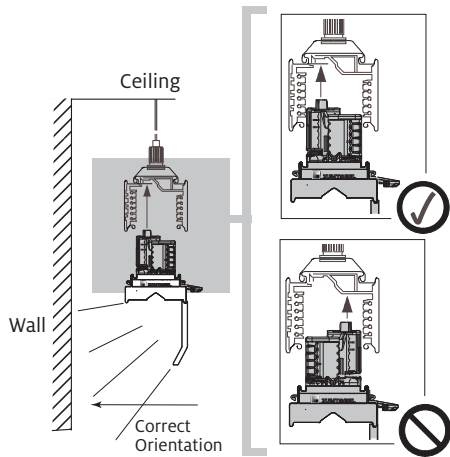
DO NOT REMOVE THE LED ASSEMBLY. THIS WILL VOID THE WARRANTY. CALL ZUMTOBEL AT 1-800-448-4131 FOR QUESTIONS.

**FOR WALL WASH BEAM MODELS:**

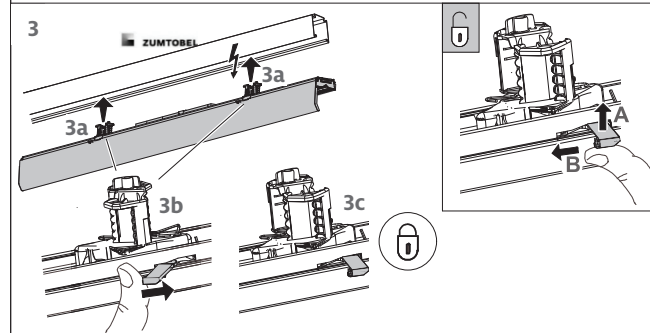
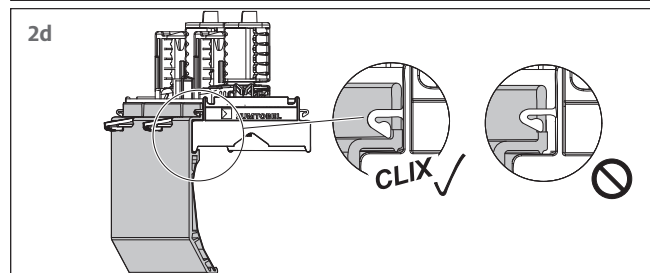
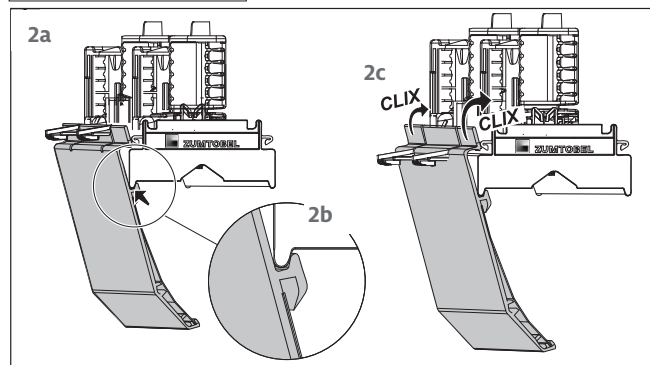
**1b. Attach Shelf Beam to Trunking** as described in Step 1a. Remove protective film from the supplied Asymmetric reflector. Position the bottom end of the reflector against the correct side of the shelf beam and snap the top part in as illustrated with the arrow.



The reflector can be attached to either side of the shelf beam but correct side is dictated by wall to be illuminated (see below). Make sure the reflector is aligned perfectly with the side of the Shelf Beam optic. Tighten the supplied thumb screw to secure the reflector to the optic. Insert the end caps and tighten the screws to complete the installation.



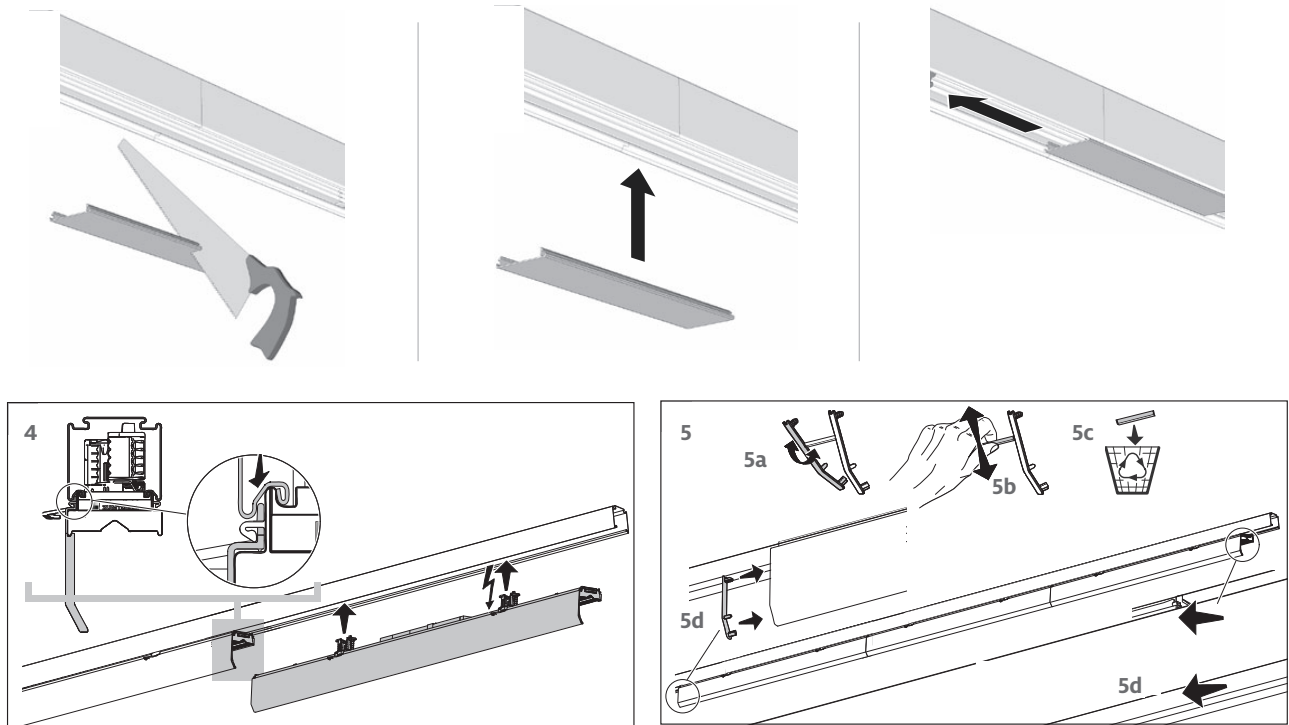
If using with the Tecton Sensor fixture must be set at L2.



TECTON LED LINEAR 59"/79"

DO NOT REMOVE THE LED ASSEMBLY. THIS WILL VOID THE WARRANTY. CALL ZUMTOBEL AT 1-800-448-4131 FOR QUESTIONS.

**2. Install Blank Covers.** If blank covers are needed in a run, cut them to size and snap onto the trunking as shown.



**3. Maintenance**

→ Turn off power first!

**3a. Cleaning**

- Wipe with microfiber cleaning cloth.
- Do not use glass cleaner or other solvents.
- Wipe the optic gently to prevent scratches.

**3b. Accessing Driver**

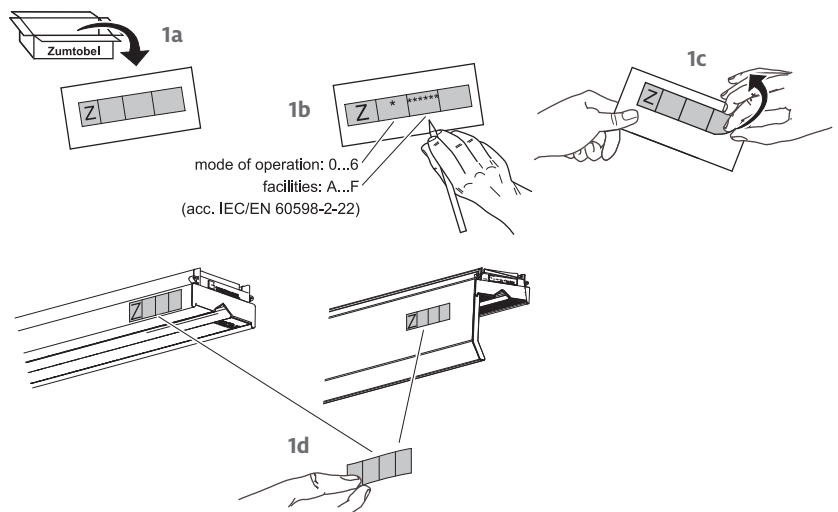
- No serviceable parts.
- Do not attempt to replace the LED driver. Contact Zumtobel.

**3c. Replacing Led Module/Assembly**

- No serviceable parts.
- Contact Zumtobel for LED board replacement.

**OPTION**

**4. Emergency Lighting: Standby battery pack**



TECTON LED LINEAR 59"/79"

DO NOT REMOVE THE LED ASSEMBLY. THIS WILL VOID THE WARRANTY. CALL ZUMTOBEL AT 1-800-448-4131 FOR QUESTIONS.

**TECTON C STANDBY BATTERY PACK (EM) INSTALLATION GUIDE**

**4a. For Pendant Mount Installations, Mount Anywhere Along Fixture Run Length.**

Note: All dimensions for drilling cord and switch holes are referenced from the fixture end where the power contact/CLIX device is located.

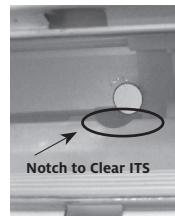
**4b. For all Installations, Determine Desired Location.** Orient fixture to trunking. Standby battery pack may be installed at the beginning and the end of the row and at varying locations in between.

**4c. Beginning of Row:** Originating at the Starter Feed connector or fixture end – Measure and mark hole centerline for drilling.

→ 24-1/4" +/- 1/8" MAX. to centerline of EM test switch (ITS).

**Using a Transfer Punch and TECTON EM Drill Jig (order code 11018085):**

– Drill 9.5mm (3/8") dia. hole for ITS (24-1/4" +/- 1/8")



Note: Deburr/remove all chips. Clearance hole through plastic buss shield is required for proper component installation. Do not contact or nick conductors or conductor buss.

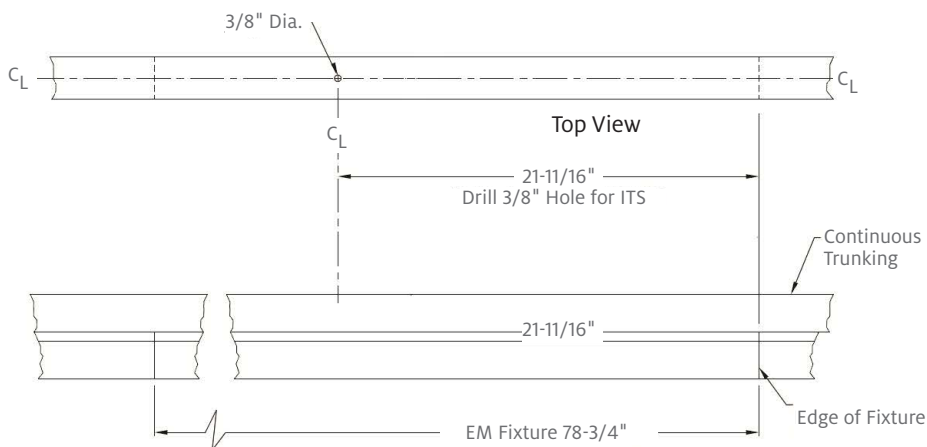


TECTON EM Drill Jig (part number 11018085)

**4d. Middle of Row**

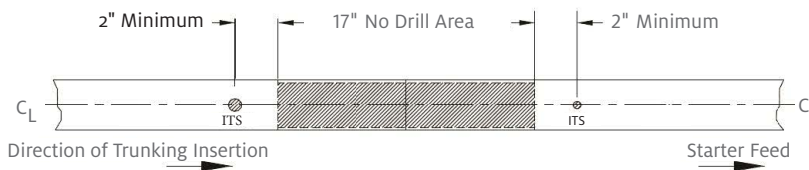
**Mid Mounting**

Side View with Fixture



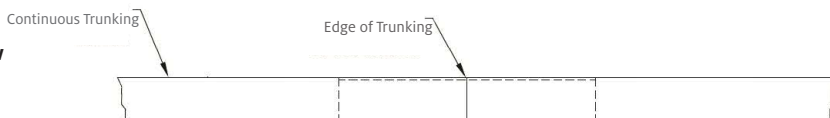
**Top View**

Note: EM fixtures cannot be installed in the nominal 12" area of the galvanized joiner used to connect trunking component.



**Continuous Row**

Trunking at Connecting Joint

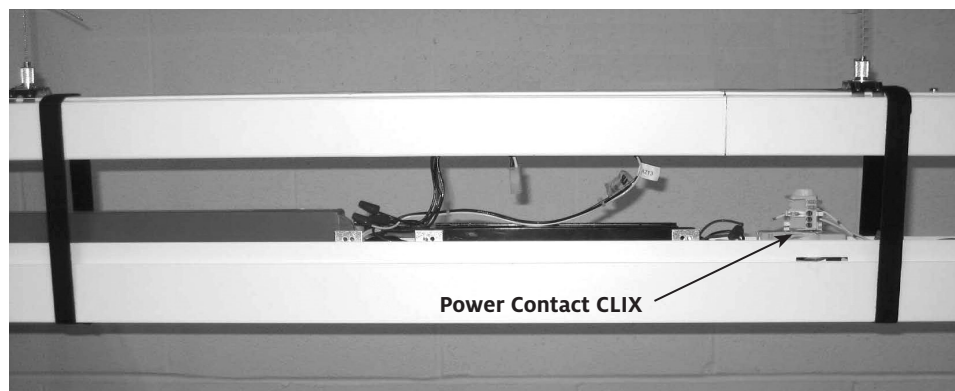


*TECTON LED LINEAR 59"/79"*

DO NOT REMOVE THE LED ASSEMBLY. THIS WILL VOID THE WARRANTY. CALL ZUMTOBEL AT 1-800-448-4131 FOR QUESTIONS.

**4e. End of Row:** This will be the last fixture installed and trunking termination will be determined prior to drilling holes for TECTON C EM fixture. With completed trunking dimension known index (measure) from the edge of second to last fixture and drill trunking as in MID MOUNTING diagram on previous page.

**5. For Pendant Installations, Loop "Service Sling" (Velcro strap) Around the Trunking** to suspend the fixture below and temporarily position the fixture to make needed connections.



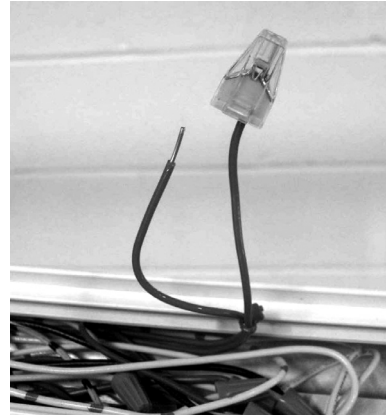
*TECTON LED LINEAR 59"/79"*

DO NOT REMOVE THE LED ASSEMBLY. THIS WILL VOID THE WARRANTY. CALL ZUMTOBEL AT 1-800-448-4131 FOR QUESTIONS.

**5a Install ITS** (attached to fixture) and secure to trunking with hex nut hardware provided. Connect EM unit connector.



Emergency Battery Pack – Integrated Test Switch (ITS)



Unit Connector

**5b Install Fixture to Trunking.** Raise fixture to trunking being certain that wiring serpentines inside so as not to trap any wires between fixture and trunking during installation. Fully engage CLIX mechanism (2-places) to secure fixture to trunking.

