

DIAMO

LED
2700K, 3000K, 4000K

**LED Recessed
Downlight and
Wallwasher**

2.5"



Applications: LED ceiling recessed luminaire for high-performance accent lighting. Precise light distribution with diffuse light and excellent glare control. A variety of beam angles allows DIAMO to be used in many applications, from in-store displays to lobbies and hotel rooms.

online Find it Fast **1128**



IBEW Union Made

Type: _____ Quantity: _____ Project: _____

DIAMO LED HOUSING						
DIAMOLED		FG				
FIXTURE	APERTURE	WATTAGE	MOUNTING		DRIVER	OPTIONS
DIAMOLED DIAMO LED 2 1/2" Recessed Downlight White LED	2 2 1/2"	21W 21W	FG	Flanged, Grid	D_* Standard 0-10V DD_* DALI Dimming DH_* Lutron HiLume Dimming * Specify "1" for 120V or "2" for 277V.	EM_* Standby Battery Pack - 5W, 280 lumens

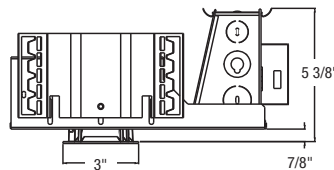
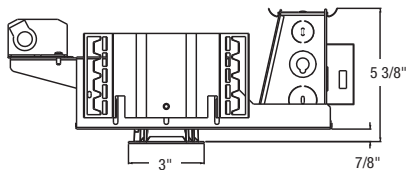
DIAMO LED MODULE				
DIAMOLED				
FIXTURE	APERTURE	WATTAGE	LED MODULE	DISTRIBUTION
DIAMOLED DIAMO LED 2 1/2" Recessed Downlight White LED	2 2 1/2"	21W 21W	827 2700K, 80 typical CRI 930 3000K, 90 typical CRI 840 4000K, 80 typical CRI	FL Flood, 28° WF Wide Flood, 37° VWF Very Wide Flood, 50° WW Wallwash
		CCT Multiplier for Lumen Output 2700K, 80CRI 1.00 3000K, 90CRI 1.02 4000K, 80CRI 1.06		

DIAMO MOUNTING	
OPTIONS	
9930	Set of two 27" C-Channel mounting bars
9952	Set of two 52" C-Channel mounting bars
9956	Set of two 28" 10 ga. one-piece universal mounting bars

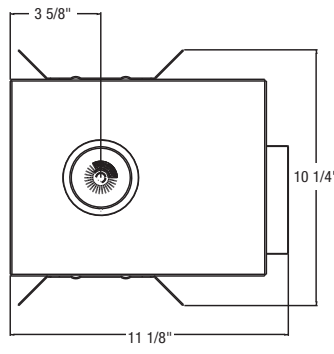
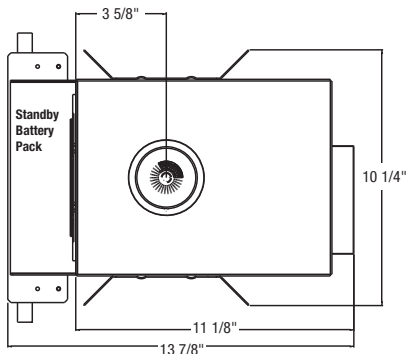
VIEWS

with Standby Battery Pack

without Standby Battery Pack



Ceiling cutout: 2 3/4" Diameter



Suitable for Damp Locations
NYC Approved

- Housing** – 20-gauge galvanized steel with driver box accessible from above ceiling. Light module is die-cast aluminum.
- Wattage & CCT** – 21W available in 2700K (80 typical CRI), 3000K (90 typical CRI), and 4000K (80 typical CRI).

3. Dimming – DIAMO is available with 0-10V Dimming driver standard, with 10% dimming. 1% dimming is available with the Lutron HiLume A-series, and 0.1% dimming is available with a DALI driver. For non-dimming installations, the standard 0-10V dimming driver will be provided, and the dimming control wires can simply be capped off at installation.

4. Driver – The driver is accessible with above ceiling access. Standard Quick Disconnect allows light module to be removed from housing.

5. Standby Battery Pack – 5W, 280 lumens. Test switch is remote mounted (requires outlet box by others).

6. Mounting – Rigid mounting brackets accommodate One-Piece Universal Mounting Bar (mounting bars ordered as an optional accessory).

7. Reflectors – Flood (28°), Wide Flood (37°), Very Wide Flood (50°) or Wallwash available.

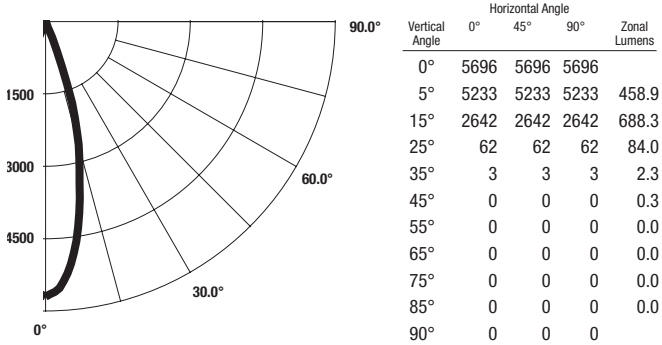
8. Life – L70 @ 50,000 hours

9. Weight – 5.15 lb (8.8 lb with EM)

HiLume is a registered trademark of Lutron Electronics Co., Inc.

DIAMO LED, 21W, 80 CRI, 4000K, Flood

Candela Distribution



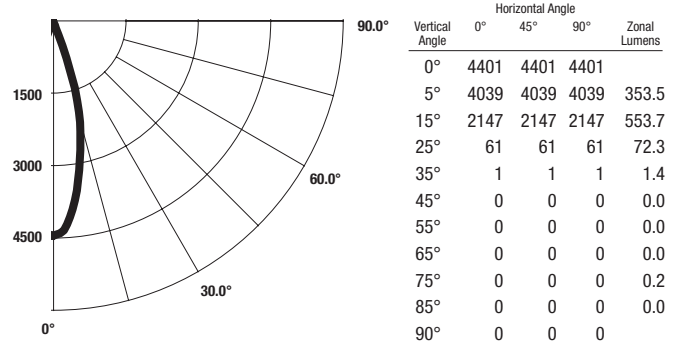
Coefficients Of Utilization - Zonal Cavity Method

Effective Floor Cavity Reflectance 0.20

RC	80				70				50				30			
	RW	70	50	30	10	70	50	30	10	50	30	10	50	30	10	
0	119	119	119	119	116	116	116	116	111	111	111	106	106	106		
1	371	478	573	659	383	482	571	651	489	566	636	496	561	621		
2	326	403	467	521	334	406	466	516	410	463	508	415	460	500		
3	292	349	394	429	298	351	393	427	354	391	422	357	390	417		
4	265	309	341	365	269	310	340	364	312	339	361	314	338	358		
5	243	277	300	318	246	278	300	317	279	299	315	280	299	313		
6	225	251	269	281	227	252	268	281	253	268	279	254	267	278		
7	210	230	243	252	211	230	243	252	231	243	251	231	242	250		
8	196	212	222	229	197	212	222	228	213	222	228	213	221	227		
9	184	197	204	209	185	197	204	209	197	204	209	197	204	208		
10	174	183	189	193	175	184	189	193	184	189	192	184	189	192		

DIAMO LED, 21W, 90 CRI, 3000K, Flood

Candela Distribution



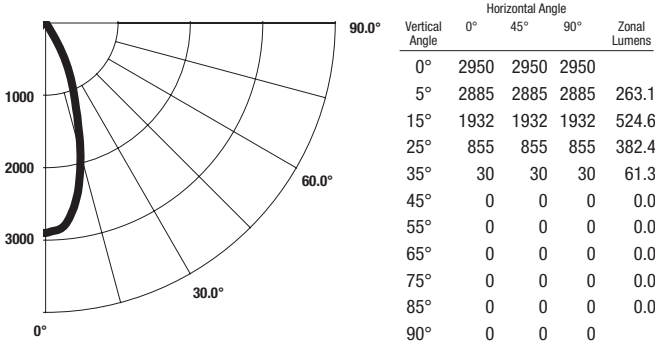
Coefficients Of Utilization - Zonal Cavity Method

Effective Floor Cavity Reflectance 0.20

RC	80				70				50				30			
	RW	70	50	30	10	70	50	30	10	50	30	10	50	30	10	
0	119	119	119	119	116	116	116	116	111	111	111	106	106	106		
1	371	477	573	659	383	481	570	650	489	565	635	496	560	620		
2	325	402	466	520	334	405	465	515	410	462	507	414	459	499		
3	291	349	393	428	297	350	392	426	353	390	421	356	389	416		
4	265	308	340	364	269	309	339	363	311	338	360	313	337	357		
5	243	276	299	317	246	277	299	316	278	298	314	279	298	312		
6	225	250	268	280	227	251	267	279	252	267	278	253	266	277		
7	209	229	242	251	210	229	242	251	230	241	250	230	241	249		
8	195	211	221	228	196	211	221	227	212	220	227	212	220	226		
9	184	196	203	208	184	196	203	208	196	203	207	196	202	207		
10	173	182	188	192	174	182	188	191	183	188	191	183	187	191		

DIAMO LED, 21W, 80 CRI, 4000K, Wide Flood

Candela Distribution



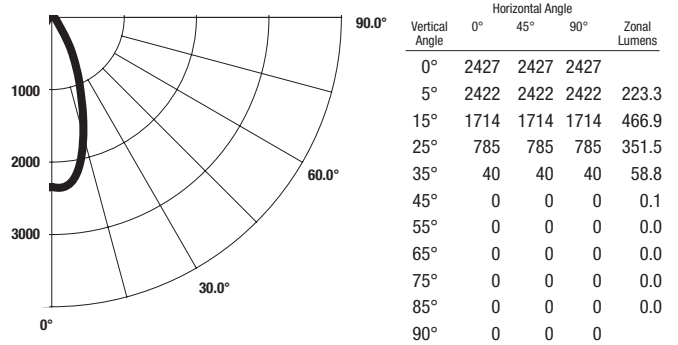
Coefficients Of Utilization - Zonal Cavity Method

Effective Floor Cavity Reflectance 0.20

RC	80				70				50				30			
	RW	70	50	30	10	70	50	30	10	50	30	10	50	30	10	
0	119	119	119	119	116	116	116	116	111	111	111	106	106	106		
1	347	444	530	608	358	447	528	601	454	523	586	460	518	573		
2	301	369	425	472	308	371	423	468	375	421	460	378	418	453		
3	266	315	353	383	271	316	352	380	318	350	376	320	348	372		
4	239	274	300	320	242	275	299	319	276	298	316	277	297	313		
5	216	242	260	274	218	243	260	273	243	259	271	244	258	270		
6	198	217	229	239	199	217	229	238	217	229	237	218	228	236		
7	182	196	205	211	183	196	204	210	196	204	210	196	203	209		
8	168	178	184	188	169	178	184	188	178	184	187	178	183	187		
9	156	163	167	170	157	163	167	170	163	167	169	163	166	169		
10	146	150	153	154	146	150	153	154	150	152	154	150	152	154		

DIAMO LED, 21W, 90 CRI, 3000K, Wide Flood

Candela Distribution



Coefficients Of Utilization - Zonal Cavity Method

Effective Floor Cavity Reflectance 0.20

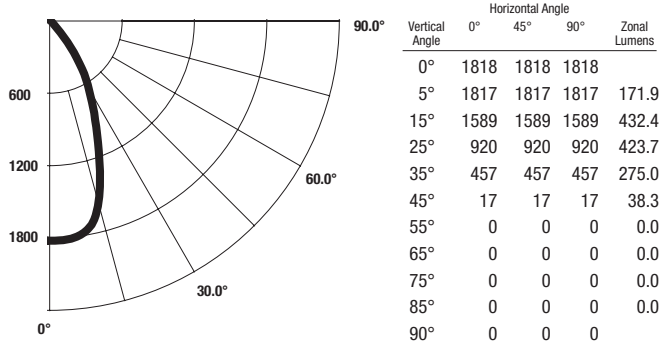
RC	80				70				50				30			
	RW	70	50	30	10	70	50	30	10	50	30	10	50	30	10	
0	119	119	119	119	116	116	116	116	111	111	111	106	106	106		
1	346	442	528	606	357	446	526	598	452	521	584	458	516	570		
2	300	367	423	470	307	369	421	466	373	418	458	376	416	451		
3	265	313	350	380	269	314	350	378	317	348	374	319	346	369		
4	237	272	298	318	240	273	297	316	274	296	314	276	295	311		
5	215	241	258	272	217	241	258	271	242	257	269	242	256	267		
6	196	215	227	236	198	215	227	236	216	227	235	216	226	234		
7	180	194	203	209	181	194	202	208	194	202	208	194	201	207		
8	167	176	182	186	167	176	182	186	176	182	185	176	181	185		
9	155	161	165	168	155	161	165	168	161	165	167	161	164	167		
10	145	148	151	152	145	148	151	152	148	150	152	148	150	152		

Photometric Data

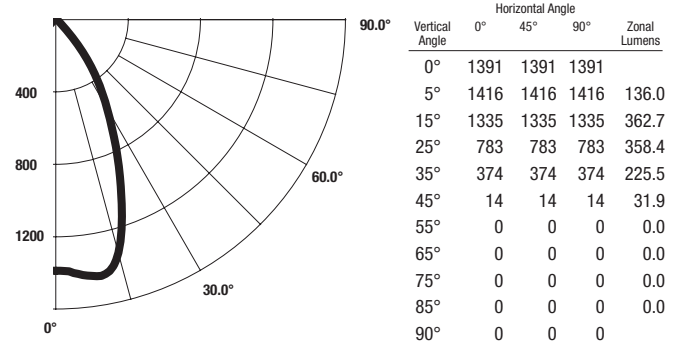
DIAMO LED, 21W, 80 CRI, 4000K, Very Wide Flood

DIAMO LED, 21W, 90 CRI, 3000K, Very Wide Flood

Candela Distribution



Candela Distribution



Coefficients Of Utilization - Zonal Cavity Method

Effective Floor Cavity Reflectance 0.20

RC	80				70				50				30			
	70	50	30	10	70	50	30	10	50	30	10	50	30	10		
0	119	119	119	119	116	116	116	116	111	111	111	106	106	106		
1	324	411	488	558	333	413	485	551	419	481	538	424	476	525		
2	277	336	384	425	283	337	383	422	340	380	415	343	378	408		
3	242	282	314	339	246	283	313	337	285	311	333	286	310	329		
4	214	243	263	279	217	243	262	278	244	261	275	244	260	273		
5	192	211	225	235	193	212	225	234	212	224	233	212	223	231		
6	174	187	195	202	175	187	195	201	187	194	200	187	194	199		
7	158	166	172	176	159	166	172	175	166	171	175	166	171	174		
8	145	150	153	155	145	150	152	154	149	152	154	149	152	154		
9	134	136	137	138	133	135	137	137	135	136	137	135	136	137		
10	124	124	124	124	123	123	123	123	123	123	123	123	123	123		

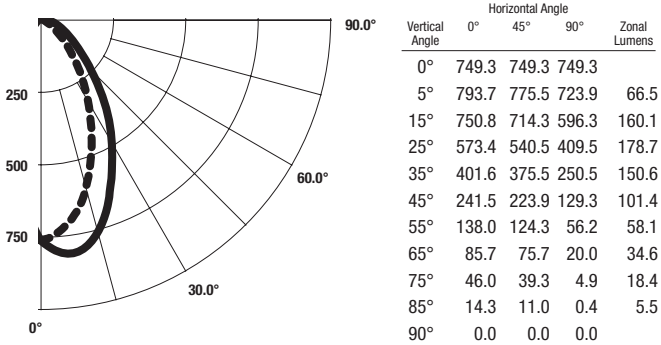
Coefficients Of Utilization - Zonal Cavity Method

Effective Floor Cavity Reflectance 0.20

RC	80				70				50				30			
	70	50	30	10	70	50	30	10	50	30	10	50	30	10		
0	119	119	119	119	116	116	116	116	111	111	111	106	106	106		
1	324	410	487	557	333	413	485	550	418	480	537	423	476	524		
2	277	335	384	425	282	337	382	421	340	380	414	342	377	407		
3	241	282	313	338	245	283	312	336	284	310	332	286	309	328		
4	214	242	262	278	216	242	262	277	243	261	274	244	259	272		
5	192	211	224	234	193	211	224	233	211	223	232	212	222	230		
6	173	186	195	201	174	186	194	200	186	194	199	186	193	198		
7	158	166	171	175	158	166	171	174	166	170	174	165	170	173		
8	144	149	152	154	144	149	152	154	149	151	153	148	151	153		
9	133	135	136	137	133	135	136	137	134	136	136	134	135	136		
10	123	123	123	123	123	123	123	123	122	122	122	122	122	122		

DIAMO LED, 21W, 90 CRI, 3000K, Wallwash

Candela Distribution



Coefficients Of Utilization - Zonal Cavity Method

Effective Floor Cavity Reflectance 0.20

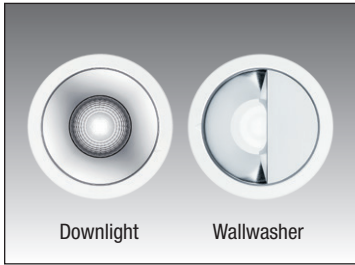
RC	80				70				50				30			
	70	50	30	10	70	50	30	10	50	30	10	50	30	10		
0	119	119	119	119	116	116	116	116	111	111	111	106	106	106		
1	281	350	411	466	288	351	408	460	355	404	449	358	400	438		
2	236	279	315	345	240	280	314	342	281	311	336	283	308	331		
3	203	230	251	268	205	230	251	267	231	249	263	231	247	260		
4	177	194	207	216	178	194	206	215	194	205	213	194	204	211		
5	157	167	174	179	158	167	173	178	166	173	177	166	172	176		
6	141	146	149	151	141	146	149	151	145	148	150	144	147	149		
7	128	129	129	130	127	128	129	130	128	129	129	127	128	129		
8	116	115	114	113	116	114	114	113	114	113	113	113	113	112		
9	107	103	101	100	106	103	101	99	102	100	99	102	100	99		
10	98	93	91	89	98	93	90	89	93	90	88	92	90	88		

DIAMO

LED
2700K, 3000K, 4000K

**LED Recessed
Downlight and
Wallwasher
Inaccessible Ceilings**

2.5"



Downlight

Wallwasher

Applications: LED ceiling recessed luminaire for high-performance accent lighting. Precise light distribution with diffuse light and excellent glare control. A variety of beam angles allows DIAMO to be used in many applications, from in-store displays to lobbies and hotel rooms.

online
Find it Fast **1151**

LED

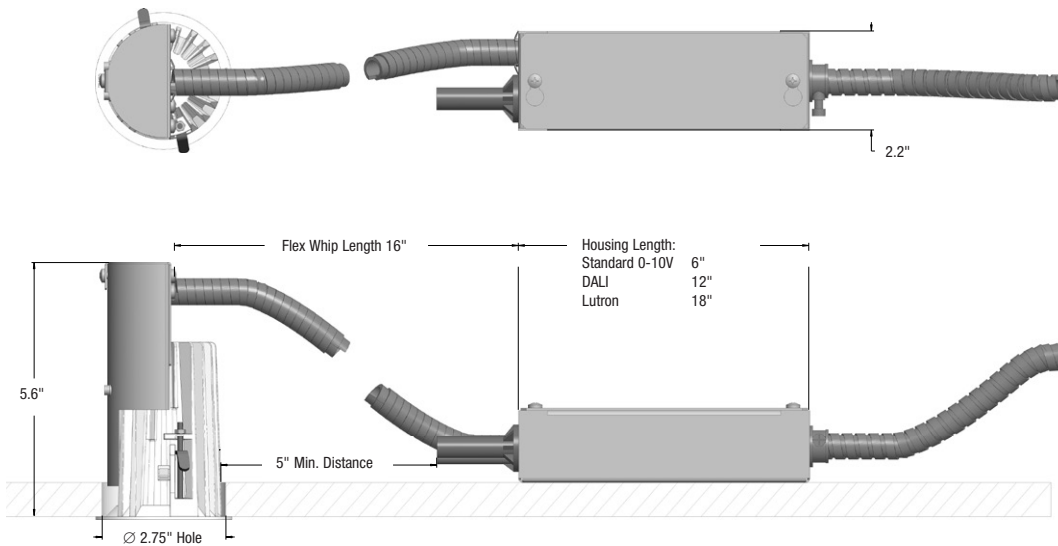
IBEW Union Made

Type: _____ **Quantity:** _____ **Project:** _____

DIAMO LED FIXTURE

DIAMOLED		FE					
FIXTURE	APERTURE	WATTAGE	MOUNTING	LED MODULE	DISTRIBUTION	DRIVER	
DIAMOLED DIAMO LED 2 1/2" Recessed Downlight White LED	2 2 1/2"	21W 21W	FE Flanged, Inaccessible	827 2700K, 80 typical CRI	FL Flood, 28°	D_* Standard 0-10V	
				930 3000K, 90 typical CRI	WF Wide Flood, 37°	DD_* DALI Dimming	
				840 4000K, 80 typical CRI	VWF Very Wide Flood, 50°	DH_* Lutron HiLume Dimming	
					WW Wallwash		
* Specify "1" for 120V or "2" for 277V.							

VIEWS



*Suitable
for Damp
Locations*

*NYC
Approved*

- Housing** – 20-gauge galvanized steel. Light module is die-cast aluminum.
- Wattage & CCT** – 21W available in 2700K (80 typical CRI), 3000K (90 typical CRI), and 4000K (80 typical CRI).
- Dimming** – DIAMO is available with 0-10V Dimming driver standard, with 10% dimming. 1% dimming is available with the Lutron HiLume A-series, and 0.1% dimming is available with a DALI driver. For non-dimming installations, the standard 0-10V dimming driver will be provided, and the dimming control wires can simply be capped off at installation.
- Driver** – The driver can be accessed by pulling the driver housing through the ceiling cutout.
- Standby Battery Pack** – 5W, 280 lumens. Test switch is remote mounted (requires outlet box by others).
- Mounting** – Swing out brackets that are accessible from below the luminaire secure the fixture to the ceiling.
- Reflectors** – Flood (28°), Wide Flood (37°), Very Wide Flood (50°) or Wallwash available.
- Life** – L70 @ 50,000 hours
- Weight** – 0-10V Driver 2.4 lb.
DALI Driver 3.3 lb.
Lutron Driver 4.4 lb.

HiLume is a registered trademark of Lutron Electronics Co., Inc.

Zumtobel Lighting Inc. ©2014
3300 Route 9W
Highland, NY 12528-2630

845-691-6262
800-448-4131
zli.us@zumtobelgroup.com

www.zumtobel.us

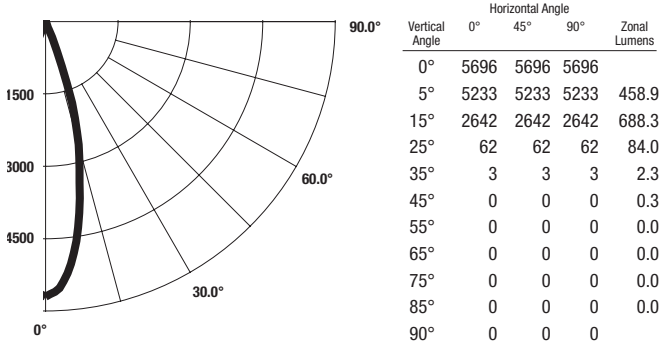
In a continuing effort to offer the best product possible we reserve the right to change, without notice, specifications or materials. Technical specification sheets that appear on www.zumtobel.us are the most recent version and supersede all other versions that exist in any other printed or electronic form.



D01051TS 04/03/15

DIAMO LED, 21W, 80 CRI, 4000K, Flood

Candela Distribution



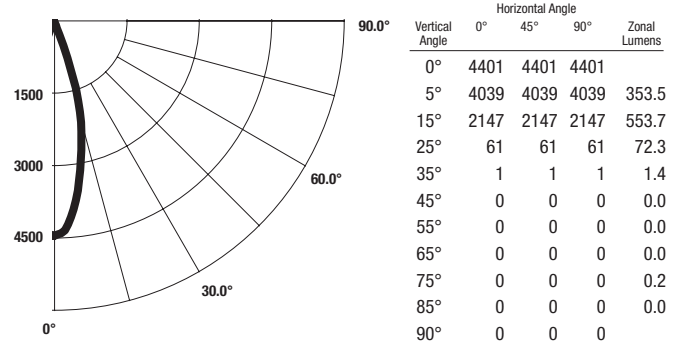
Coefficients Of Utilization - Zonal Cavity Method

Effective Floor Cavity Reflectance 0.20

RC	80				70				50				30			
	RW	70	50	30	10	70	50	30	10	50	30	10	50	30	10	
0	119	119	119	119	116	116	116	116	111	111	111	106	106	106		
1	371	478	573	659	383	482	571	651	489	566	636	496	561	621		
2	326	403	467	521	334	406	466	516	410	463	508	415	460	500		
3	292	349	394	429	298	351	393	427	354	391	422	357	390	417		
4	265	309	341	365	269	310	340	364	312	339	361	314	338	358		
5	243	277	300	318	246	278	300	317	279	299	315	280	299	313		
6	225	251	269	281	227	252	268	281	253	268	279	254	267	278		
7	210	230	243	252	211	230	243	252	231	243	251	231	242	250		
8	196	212	222	229	197	212	222	228	213	222	228	213	221	227		
9	184	197	204	209	185	197	204	209	197	204	209	197	204	208		
10	174	183	189	193	175	184	189	193	184	189	192	184	189	192		

DIAMO LED, 21W, 90 CRI, 3000K, Flood

Candela Distribution



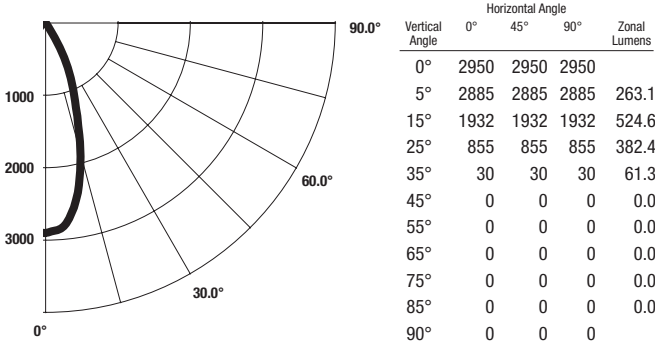
Coefficients Of Utilization - Zonal Cavity Method

Effective Floor Cavity Reflectance 0.20

RC	80				70				50				30			
	RW	70	50	30	10	70	50	30	10	50	30	10	50	30	10	
0	119	119	119	119	116	116	116	116	111	111	111	106	106	106		
1	371	477	573	659	383	481	570	650	489	565	635	496	560	620		
2	325	402	466	520	334	405	465	515	410	462	507	414	459	499		
3	291	349	393	428	297	350	392	426	353	390	421	356	389	416		
4	265	308	340	364	269	309	339	363	311	338	360	313	337	357		
5	243	276	299	317	246	277	299	316	278	298	314	279	298	312		
6	225	250	268	280	227	251	267	279	252	267	278	253	266	277		
7	209	229	242	251	210	229	242	251	230	241	250	230	241	249		
8	195	211	221	228	196	211	221	227	212	220	227	212	220	226		
9	184	196	203	208	184	196	203	208	196	203	207	196	202	207		
10	173	182	188	192	174	182	188	191	183	188	191	183	187	191		

DIAMO LED, 21W, 80 CRI, 4000K, Wide Flood

Candela Distribution



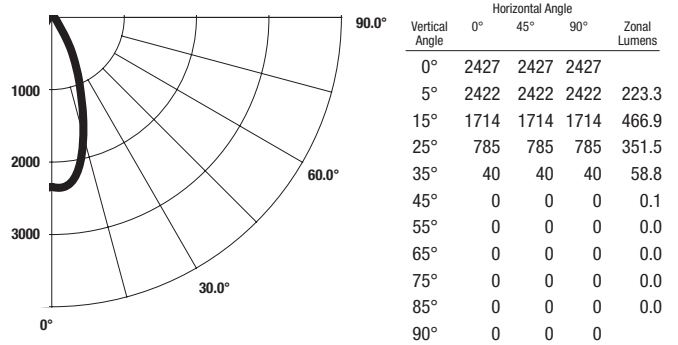
Coefficients Of Utilization - Zonal Cavity Method

Effective Floor Cavity Reflectance 0.20

RC	80				70				50				30			
	70	50	30	10	70	50	30	10	50	30	10	50	30	10		
0	119	119	119	119	116	116	116	116	111	111	111	106	106	106		
1	347	444	530	608	358	447	528	601	454	523	586	460	518	573		
2	301	369	425	472	308	371	423	468	375	421	460	378	418	453		
3	266	315	353	383	271	316	352	380	318	350	376	320	348	372		
4	239	274	300	320	242	275	299	319	276	298	316	277	297	313		
5	216	242	260	274	218	243	260	273	243	259	271	244	258	270		
6	198	217	229	239	199	217	229	238	217	229	237	218	228	236		
7	182	196	205	211	183	196	204	210	196	204	210	196	203	209		
8	168	178	184	188	169	178	184	188	178	184	187	178	183	187		
9	156	163	167	170	157	163	167	170	163	167	169	163	166	169		
10	146	150	153	154	146	150	153	154	150	152	154	150	152	154		

DIAMO LED, 21W, 90 CRI, 3000K, Wide Flood

Candela Distribution



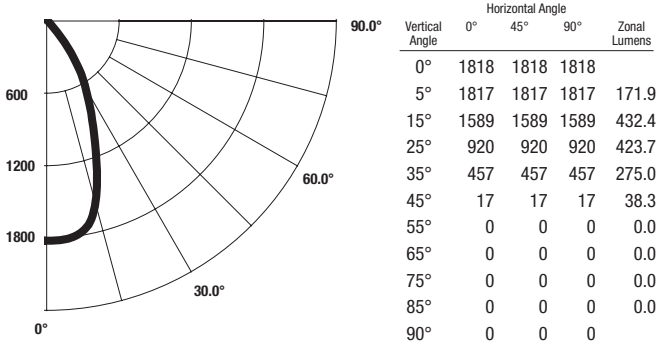
Coefficients Of Utilization - Zonal Cavity Method

Effective Floor Cavity Reflectance 0.20

RC	80				70				50				30			
	70	50	30	10	70	50	30	10	50	30	10	50	30	10		
0	119	119	119	119	116	116	116	116	111	111	111	106	106	106		
1	346	442	528	606	357	446	526	598	452	521	584	458	516	570		
2	300	367	423	470	307	369	421	466	373	418	458	376	416	451		
3	265	313	350	380	269	314	350	378	317	348	374	319	346	369		
4	237	272	298	318	240	273	297	316	274	296	314	276	295	311		
5	215	241	258	272	217	241	258	271	242	257	269	242	256	267		
6	196	215	227	236	198	215	227	236	216	227	235	216	226	234		
7	180	194	203	209	181	194	202	208	194	202	208	194	201	207		
8	167	176	182	186	167	176	182	186	176	182	185	176	181	185		
9	155	161	165	168	155	161	165	168	161	165	167	161	164	167		
10	145	148	151	152	145	148	151	152	148	150	152	148	150	152		

DIAMO LED, 21W, 80 CRI, 4000K, Very Wide Flood

Candela Distribution



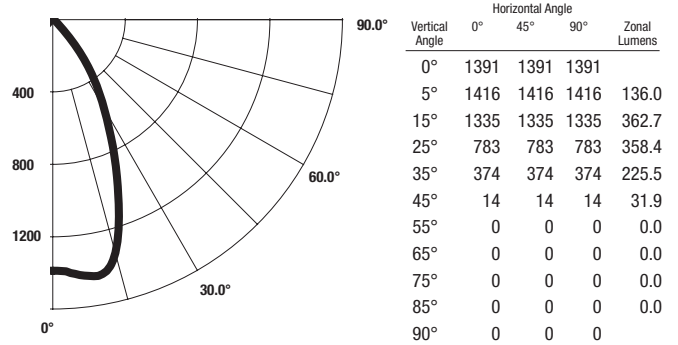
Coefficients Of Utilization - Zonal Cavity Method

Effective Floor Cavity Reflectance 0.20

RC	80				70				50				30			
	70	50	30	10	70	50	30	10	50	30	10	50	30	10		
0	119	119	119	119	116	116	116	116	111	111	111	106	106	106		
1	324	411	488	558	333	413	485	551	419	481	538	424	476	525		
2	277	336	384	425	283	337	383	422	340	380	415	343	378	408		
3	242	282	314	339	246	283	313	337	285	311	333	286	310	329		
4	214	243	263	279	217	243	262	278	244	261	275	244	260	273		
5	192	211	225	235	193	212	225	234	212	224	233	212	223	231		
6	174	187	195	202	175	187	195	201	187	194	200	187	194	199		
7	158	166	172	176	159	166	172	175	166	171	175	166	171	174		
8	145	150	153	155	145	150	152	154	149	152	154	149	152	154		
9	134	136	137	138	133	135	137	137	135	136	137	135	136	137		
10	124	124	124	124	123	123	123	123	123	123	123	123	123	123		

DIAMO LED, 21W, 90 CRI, 3000K, Very Wide Flood

Candela Distribution



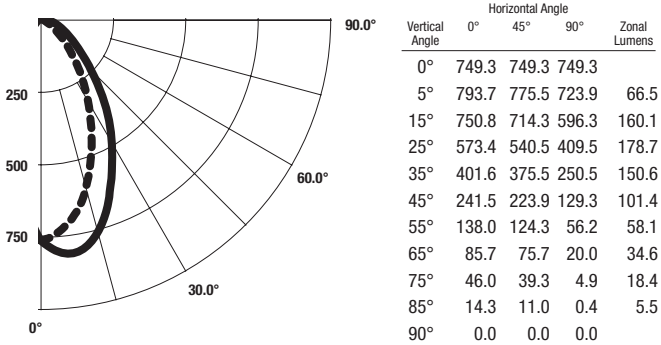
Coefficients Of Utilization - Zonal Cavity Method

Effective Floor Cavity Reflectance 0.20

RC	80				70				50				30			
	70	50	30	10	70	50	30	10	50	30	10	50	30	10		
0	119	119	119	119	116	116	116	116	111	111	111	106	106	106		
1	324	410	487	557	333	413	485	550	418	480	537	423	476	524		
2	277	335	384	425	282	337	382	421	340	380	414	342	377	407		
3	241	282	313	338	245	283	312	336	284	310	332	286	309	328		
4	214	242	262	278	216	242	262	277	243	261	274	244	259	272		
5	192	211	224	234	193	211	224	233	211	223	232	212	222	230		
6	173	186	195	201	174	186	194	200	186	194	199	186	193	198		
7	158	166	171	175	158	166	171	174	166	170	174	165	170	173		
8	144	149	152	154	144	149	152	154	149	151	153	148	151	153		
9	133	135	136	137	133	135	136	137	134	136	136	134	135	136		
10	123	123	123	123	123	123	123	123	122	122	122	122	122	122		

DIAMO LED, 21W, 90 CRI, 3000K, Wallwash

Candela Distribution



Coefficients Of Utilization - Zonal Cavity Method

Effective Floor Cavity Reflectance 0.20

RC	80				70				50				30			
	70	50	30	10	70	50	30	10	50	30	10	50	30	10		
0	119	119	119	119	116	116	116	116	111	111	111	106	106	106		
1	281	350	411	466	288	351	408	460	355	404	449	358	400	438		
2	236	279	315	345	240	280	314	342	281	311	336	283	308	331		
3	203	230	251	268	205	230	251	267	231	249	263	231	247	260		
4	177	194	207	216	178	194	206	215	194	205	213	194	204	211		
5	157	167	174	179	158	167	173	178	166	173	177	166	172	176		
6	141	146	149	151	141	146	149	151	145	148	150	144	147	149		
7	128	129	129	130	127	128	129	130	128	129	129	127	128	129		
8	116	115	114	113	116	114	114	113	114	113	113	113	113	112		
9	107	103	101	100	106	103	101	99	102	100	99	102	100	99		
10	98	93	91	89	98	93	90	89	93	90	88	92	90	88		