



## BASYS™ LED II

**Applications:** The BASYS LED II family has a broad range of distributions, outputs, and finishes. Whether you are looking to achieve high light levels or a sleek, minimalist appearance, BASYS LED II has an option to meet your lighting challenges. Perfect for offices, foyers, hallways, conference rooms, or educational areas.

**Type:** \_\_\_\_\_

**Project:** \_\_\_\_\_

# Recessed Square Downlight **2.75"**

online  
Find it Fast

1146



IBEW Union Made



BASYS LED II HOUSING				BASYS LED II MOUNTING	
<b>BS2DLED2</b>					
FIXTURE	TRIM/CEILING TYPE	CUTOFF	OPTIONS		
<b>BASYS LED II Square 2.75" Recessed Downlight</b>	<b>N</b> Standard Flange	<b>C45</b> 45° Cutoff	<b>CP</b> Chicago Plenum		
	<b>F</b> Flangeless	<b>C55</b> 55° Cutoff	<b>F</b> Fusing		
	<b>T</b> TechZone, 6"				
				OPTIONS	
				<b>9930</b> Set of two 27" C-Channel mounting bars	
				<b>9952</b> Set of two 52" C-Channel mounting bars	
				<b>9956</b> Set of two 28" 10 ga. one-piece universal mounting bars	

BASYS LED II TRIM									
<b>BS2DLED2</b>									
FIXTURE	TRIM/CEILING TYPE	WATTAGE/OUTPUT	LED MODULE	CUTOFF	DISTRIBUTION	DRIVER	REFLECTOR FINISH	FLANGE FINISH	OPTIONS
<b>BASYS LED II Square 2.75" Recessed Downlight</b>	<b>N</b> Standard Flange	<b>12W</b> 800 lm	<b>827</b> 2700K, 80+ CRI	<b>C45</b> 45° Cutoff <b>C55</b> 55° Cutoff	<b>M</b> Medium 25° <b>W</b> Wide 50°	<b>D_*</b> Standard 0-10V Dimming Driver, 10% <b>DH_*</b> Lutron HiLume A Series, 1% <b>DD_**</b> DALI Dimming, 1%	<b>CS</b> Clear Semi-Specular <b>MT</b> Matte <b>WH</b> White Matte <b>CC*</b> Custom	<b>N</b> Natural <b>W</b> White <b>C*</b> Custom <b>F</b> Flangeless	<b>CP</b> Chicago Plenum
	<b>F</b> Flangeless	<b>16W</b> 1000 lm	<b>830</b> 3000K, 80+ CRI						
	<b>T</b> TechZone, 6"	<b>20W</b> 1200 lm	<b>835</b> 3500K, 80+ CRI <b>840</b> 4000K, 80+ CRI <b>927</b> 2700K, 90+ CRI <b>930</b> 3000K, 90+ CRI <b>935</b> 3500K, 90+ CRI <b>940</b> 4000K, 90+ CRI						
NOTE: Unit is NOT designed to be used in a 6"x6" square		<i>For exact Lumen Output and Wattage consumption data, please consult LM-79 reports.</i>	3-Step MacAdam Ellipse		* Specify "1" for 120V or "2" for 277V  ** DALI dimming NOT available for CP Chicago Plenum housings.		* For Custom Colors, please specify RAL #		
			<b>CCT Multiplier for Lumen Output</b> <b>80 CRI</b> 2700K 0.93 3000K 0.98 3500K 1.00 4000K 1.02  <b>90 CRI</b> 2700K 0.79 3000K 0.83 3500K 0.85 4000K 0.87				<b>Trim Finish Multiplier for Lumen Output</b>  Clear Specular 1.00 Clear Semi-Specular 1.00 Matte 1.05 White Matte 0.88		



**1) Housing** - Mounting pan is of 20-gauge galvanized steel. Plaster frame has a fixed throat of 1 3/16" to accommodate double-thickness plasterboard. Thru Wire junction box is 16-gauge galvanized steel. CSA listed for thru wiring (2 in and 2 out at 90° C) and has 7/8" knockouts.

Compatible 0-10V Dimmers:

- Lutron DDTV
- Lutron NTFTV
- LEVITON IP710-DLZ
- Wattstopper/Legrand ADF-120277
- Osram 45561 - LC-SL3W-TWWBX/UNV

**Lower Reflector** - Lower reflector provides optical and physical cutoff with two options: 45 degrees or 55 degrees. Aluminum lower reflector is designed to provide an iridescent-free finish.

**Lower Reflector Finishes -**

**Clear Specular** - Highly polished post-anodized finish with dark light appearance. Precise light distribution and glare limitation provides highest lumen output.

**Clear Semi-Specular** - Architectural visual identity is provided while maintaining precise directionality of light.

**Matte** - Soft, diffuse, evenly illuminated surface provides a congruous appearance between the downlight and the ceiling.

**White** - Zumtobel White painted finish blends well with typical White painted ceilings.

**7) Life** - 50,000 hours, L70.

**8) Weight** - 5 lbs.

**2) Wattage & CCT** - Wattage options are 12W, 16W or 20W. Available in 2700K, 3000K, 3500K or 4000K color temperatures for 80CRI or 90CRI. 3-Step MacAdam Ellipse.

**4) Driver** - The driver can be removed through the throat.

**5) Mounting** - Rigid mounting brackets provide 2" vertical adjustment from inside the aperture. Brackets accommodate One-Piece Universal Mounting Bar. (mounting bars ordered as an optional accessory). For installation in TechZone 6" ceilings mounting bars are not required as mounting brackets can be adjusted to slide onto the ceiling grid.

**6) Reflectors - Upper Reflector** - Reflector is anodized aluminum of high-specularity, vacuum metalized or electropolished designed to provide highest efficiency and effective beam distribution. Wide beam uses one piece optical lens that obscures direct view of the LEDs and enhances light distribution. Medium beam uses clear lens to achieve and enhance light distribution.

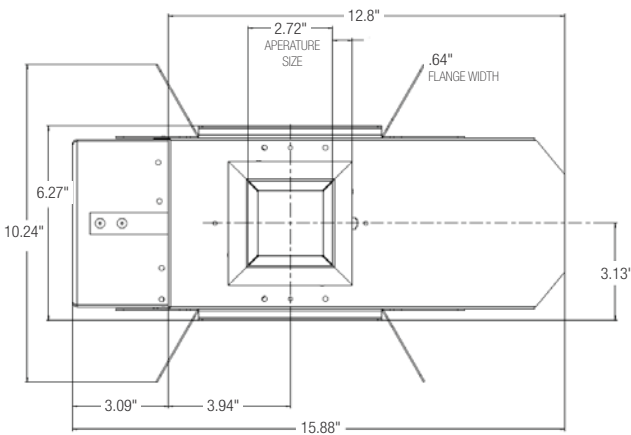
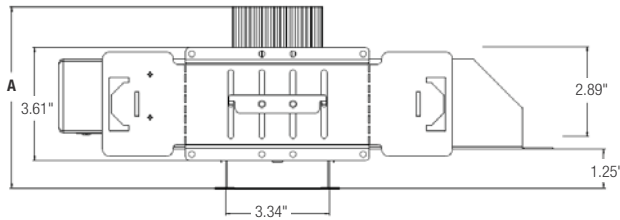
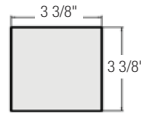
IBEW Union Made

**3) Dimming** - Basys LED II is available with 0-10V Dimming driver standard, with 10% dimming. 5% dimming is available with the Lutron 5 series, 1% dimming with the Lutron HiLume A series, and 1% dimming with a DALI driver. For non-dimming installations, the standard 0-10V dimming driver will be provided, and the dimming control wires can simply be capped off at installation.

**FLANGED VIEWS**

**Dimension A – Flanged** 45° 5.80"  
55° 5.09"

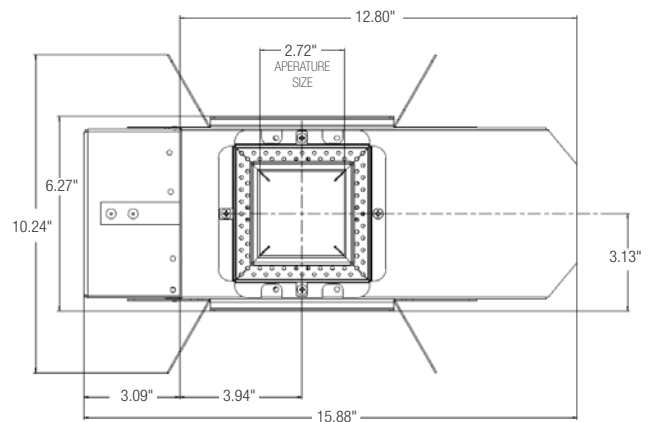
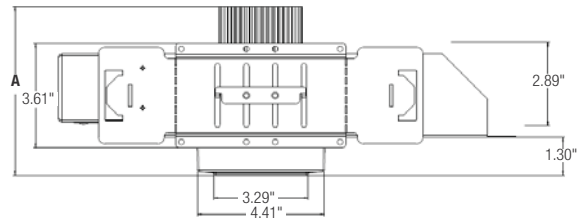
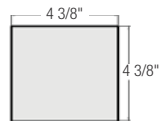
**Ceiling Cutout**  
3 3/8" x 3 3/8"



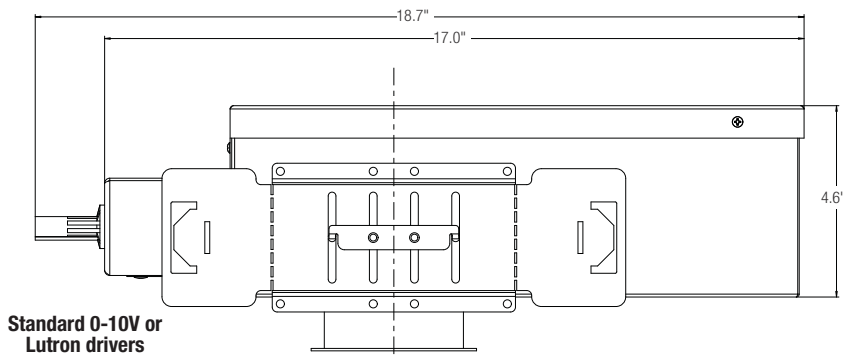
**FLANGELESS VIEWS**

**Dimension A – Flangeless** 45° 5.83"  
55° 5.12"

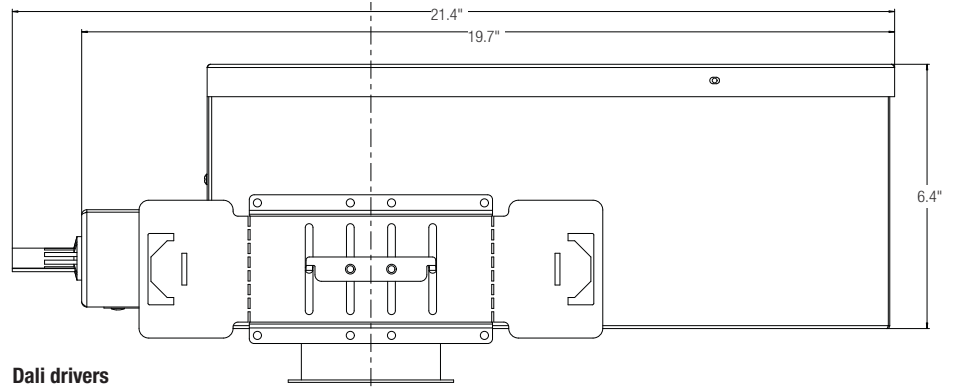
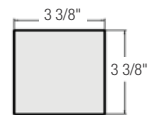
**Ceiling Cutout**  
4 3/8" x 4 3/8"



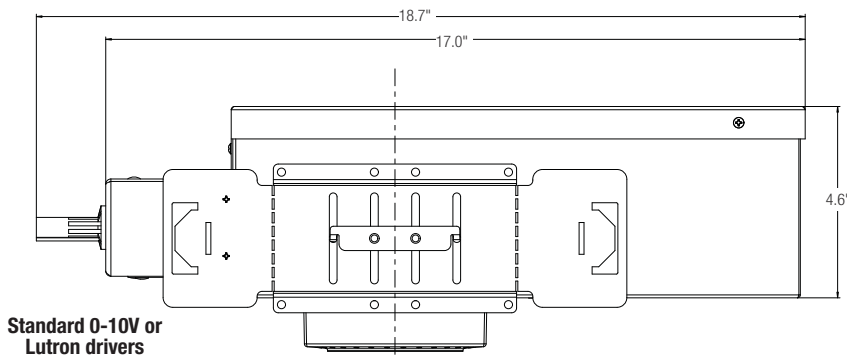
**FLANGED VIEWS CHICAGO PLENUM ROUND**



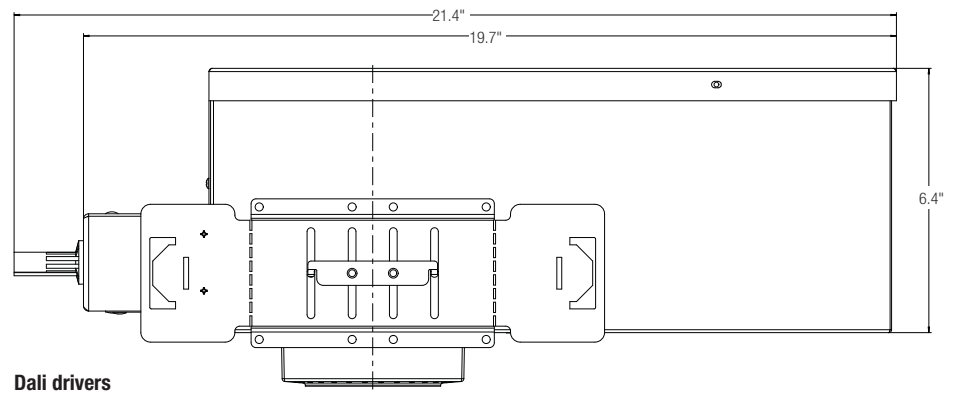
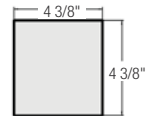
**Ceiling Cutout**  
3 3/8" x 3 3/8"



**FLANGELESS VIEWS CHICAGO PLENUM ROUND**



**Ceiling Cutout**  
4 3/8" x 4 3/8"



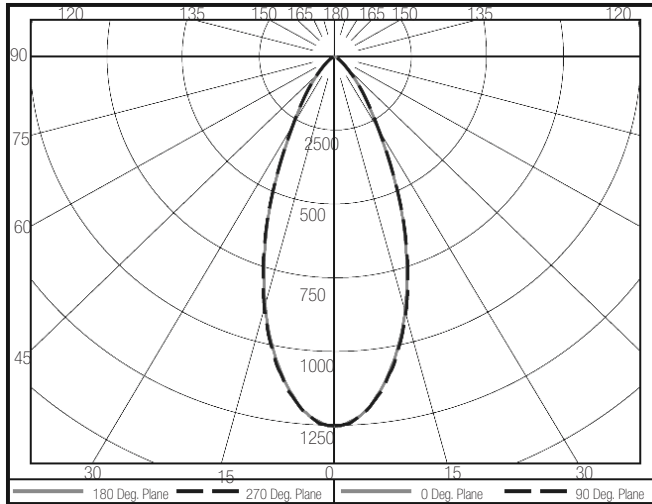
# Photometric Data

**BASYS LED II, 2.75" SQ DL M 12W 3500K**

**Medium Distribution**

**13W 809lm 62 lm/w**

## Candela Distribution



		Horizontal Angle		
		0°	45°	90°
Vertical Angle	0	256600	256600	256600
	45	18360	22920	19160
	55	7473	4857	7689
	65	0	0	0
	75	0	0	0
	85	0	0	0
	90	0	0	0

### Coefficients Of Utilization - Zonal Cavity Method

Effective Floor Cavity Reflectance 0.20

RC	80				70				50			30			10		0	
RW	70	50	30	10	70	50	30	10	50	30	10	50	30	10	50	30	10	0
0	963	963	963	963	940	940	940	940	899	899	899	860	860	860	825	825	825	809
1	920	898	878	861	900	880	863	847	848	834	821	818	807	797	790	781	774	759
2	876	837	806	779	858	823	795	770	797	774	753	774	754	737	751	736	722	709
3	833	783	744	713	817	772	736	707	750	720	696	731	706	685	713	692	674	662
4	793	733	690	657	778	724	684	653	707	673	645	691	662	638	676	651	631	619
5	754	689	643	610	741	681	639	607	667	630	601	654	621	596	641	613	591	579
6	718	649	602	568	707	642	598	566	630	592	563	619	585	559	609	579	555	544
7	685	612	565	532	674	607	563	531	597	557	528	587	552	525	578	547	523	512
8	654	579	533	500	644	575	530	499	566	526	497	558	522	495	550	518	493	482
9	624	549	503	472	616	545	501	471	538	498	470	531	494	468	524	491	466	456
10	597	522	477	446	589	518	475	446	512	472	445	506	469	443	500	466	442	432

IES File 10730477-1018291

All values are rated values. Luminous flux and connected electrical load are subject to an initial tolerance of +/- 10%. Tolerance of color temperature: +/- 150 K. Unless stated otherwise, the values apply to an ambient temperature of 25°C.

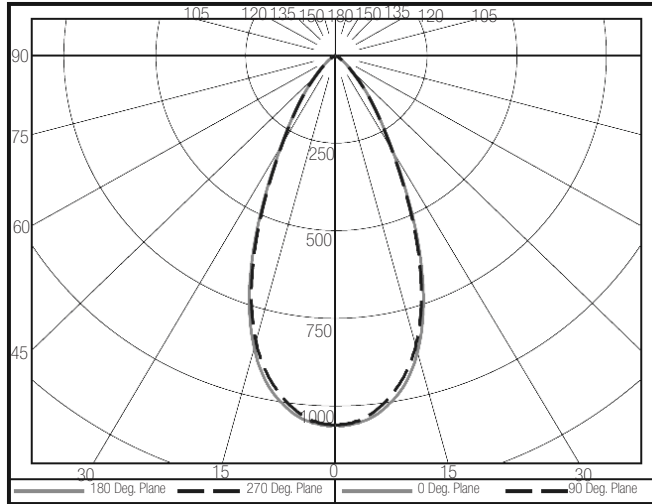
# Photometric Data

**BASYS LED II, 2.75" SQ DL W 12W 3500K**

**Wide Distribution**

**13W 802lm 62 lm/w**

## Candela Distribution



		Horizontal Angle		
		0°	45°	90°
Vertical Angle	0	216100	216100	216100
	45	19150	23870	18820
	55	7695	4851	7280
	65	0	0	0
	75	0	0	0
	85	0	0	0

### Coefficients Of Utilization - Zonal Cavity Method

Effective Floor Cavity Reflectance 0.20

RC	80				70				50			30			10			0
	70	50	30	10	70	50	30	10	50	30	10	50	30	10	50	30	10	0
0	955	955	955	955	932	932	932	932	891	891	891	853	853	853	818	818	818	802
1	911	889	869	852	891	872	854	838	839	825	812	810	799	788	782	774	766	751
2	867	828	796	769	849	814	785	761	788	765	744	765	745	728	743	727	713	700
3	824	773	733	702	808	762	726	696	741	710	685	721	696	675	703	682	664	652
4	783	723	679	646	768	714	673	642	697	662	634	681	651	627	666	641	620	608
5	744	678	632	598	731	670	627	595	656	618	590	643	610	584	630	602	579	568
6	707	637	590	556	696	631	586	554	619	579	550	607	573	546	597	567	543	531
7	673	600	552	519	663	595	550	518	584	544	515	575	539	512	566	534	510	498
8	641	566	519	487	632	562	517	486	553	513	484	545	508	482	537	504	480	469
9	612	536	489	458	603	532	487	457	524	484	456	517	480	454	511	477	452	442
10	584	508	462	432	576	505	461	431	498	458	430	492	455	429	486	452	428	418

IES File 10730477-1018295

All values are rated values. Luminous flux and connected electrical load are subject to an initial tolerance of +/- 10%. Tolerance of color temperature: +/- 150 K. Unless stated otherwise, the values apply to an ambient temperature of 25°C.