



VIVO XS LED

Applications: The VIVO XS LED spotlight is designed for attractive illumination of retail spaces and is available with various lumen output levels. Very efficient alternative to conventional HID spotlights. Now more efficient with higher lumen output! For use with EUTRAC™ system. See separate spec sheet.



Suitable for Damp Locations

IBEW Union Made

Type: _____

Project: _____

VIVO EXTRA SMALL LED SPOTLIGHT

VIVOXS				90			
FIXTURE	LUMEN OUTPUT	CCT	BEAM SPREAD	CRI	FINISH	ADAPTER	DRIVER
VIVOXS Vivo Extra Small Spotlight	1300 lm	K27 2700K	FL Flood (33°) SP Spot (20°)	90 90+ CRI	WH White BK Black	EU11 1-Circuit 120V EU21 2-Circuit 120V EU22 2-Circuit 277V	SW Non-dimming SWITCHED DT Triac DIMMING (120V only)
	1400 lm	K30 3000K K40 4000K				EU11C 1-Circuit 120V Control EU21C 2-Circuit 120V Control	DA_ 1-10V Dimming DD_ DALI Dimming DH_ Lutron Hi-Lume

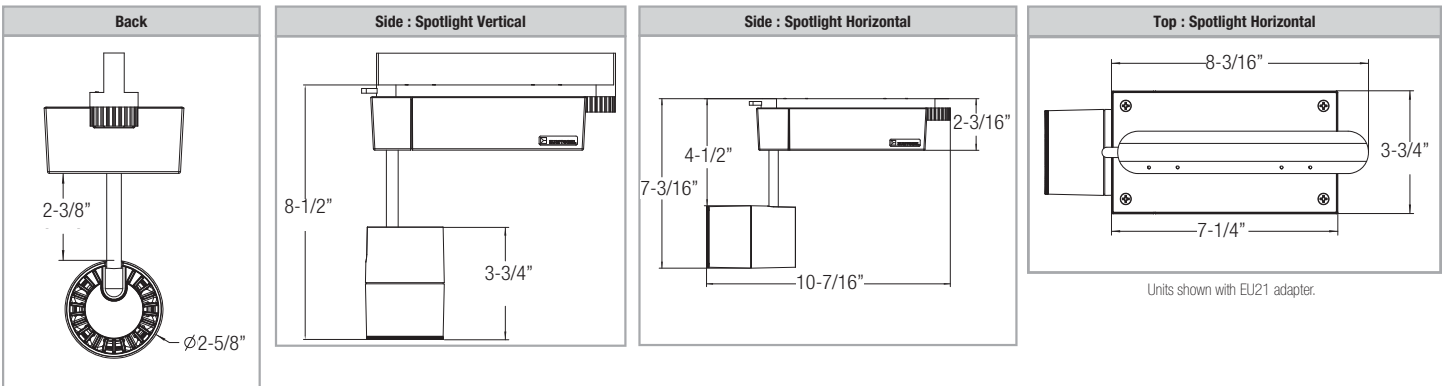
VIVO EXTRA SMALL ACCESSORIES

60700340	Black Anti-glare ring	60700341	Soft-outline lens (blur lens)
60700347	Interchangeable reflector, flood	60700346	Interchangeable reflector, spot

DELIVERED LUMENS

FLOOD	2700K	1305	SPOT	2700K	1309
	3000K	1405		3000K	1409
	4000K	1405		4000K	1409

Dimensional Data



Technical Details

- Track** – VIVO XS is compatible with EUTRAC™. For additional information regarding the EUTRAC™, please see spec sheet on the website using FIF1176.
- Adapter / Driverbox** – Track adapter and injection molded polycarbonate driver box are supplied with the fixture.
- Housing** – Die-cast aluminum housing painted white or black.
- Rotation and Pivot** – Spotlight head rotates through 360°, pivots through 90°
- Wattage, CCT, CRI** – Unit is 22W, available in 2700K, 3000K or 4000K color temperature. White LEDs with 90+ color rendering.
- Dimming** – Standard unit is non-dimming switched, use EU11 or EU22. Triac dimming (120V only) use EU11 or EU21. Integral 0-10V, DALI, Lutron Hi-Lume or Lutron 5-series dimming require control track, use EU11C or EU22C based on voltage and circuit

- quantity.
- Life** – 50,000 hours rated life. L80.
- Optic** – Polycarbonate (PC) aluminum sputtered specular reflector.
- Beam Spread** – Options of Spot with 20° or Flood with 33° spread.
- Clean Beam** – Symmetric beam pattern, free of striations with smooth transition from center beam to outer edge.
- Internal Accessory Holder** – Front cylinder of housing accommodates accessories internally and provides a seamless appearance.
- Accessories** – Black Anti-glare ring or Soft-outline lens (blur lens)
- Weight** – 1.5 lbs.

Zumtobel Lighting, Inc. ©2017
3300 Route 9W
Highland, NY 12528-2630

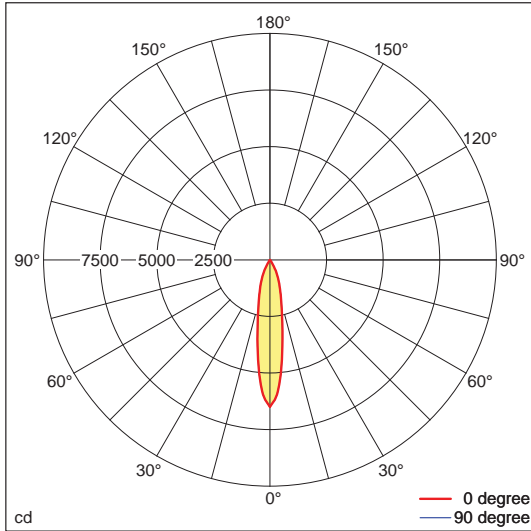
845-691-6262
800-448-4131
zli.us@zumtobelgroup.com

In a continuing effort to offer the best product possible, we reserve the right to change, without notice, specifications or materials. Technical specification sheets that appear on www.zumtobel.us are the most recent version and supersede all other versions that exist in any other printed or electronic form.



Photometric Data

VIVOXS1400K40SP90WHEU11SW



Technical Description	
Designation	VIVO XS LED1400-940 3CV SP-S WHM/-
Manufacturers	Zumtobel Lighting
Total lamp lumens	1400 lm
Input watts	22.0 W

Coefficients of Utilization														
Ceiling	80				70				50			30		
Walls	70	50	30	10	70	50	30	10	50	30	10	50	30	10
RCR	Effective Floor Cavity Reflectance = 20%								Spacing Criteria (along, across, 45°) = 0.4, 0.4, 0.4					
0	119	119	119	119	116	116	116	116	111	111	111	106	106	106
1	102	94	87	81	99	91	85	79	87	82	77	83	78	74
2	97	88	81	75	95	86	80	74	83	77	72	79	75	70
3	93	84	76	70	91	82	75	70	79	73	68	76	71	67
4	89	79	72	67	87	78	71	66	76	70	65	74	69	64
5	86	76	69	63	84	75	68	63	73	67	62	71	66	62
6	83	72	66	61	81	72	65	60	70	64	60	68	63	60
7	80	69	63	58	78	69	62	58	67	62	58	66	61	57
8	77	67	60	56	75	66	60	56	65	60	56	64	59	55
9	74	64	58	54	73	64	58	54	63	57	54	62	57	54
10	72	62	56	52	71	62	56	52	61	56	52	60	55	52

Luminances							
	C0	C15	C30	C45	C60	C75	C90
55.0°	1740	1740	1740	1740	1740	1740	1740
60.0°	570	570	570	570	570	570	570
65.0°	169	169	169	169	169	169	169
70.0°	0	0	0	0	0	0	0
75.0°	0	0	0	0	0	0	0
80.0°	0	0	0	0	0	0	0
85.0°	0	0	0	0	0	0	0
90.0°	-	-	-	-	-	-	-

Luminances in cd/m² based on 1400 lm

Candela distribution							
	0	15	30	45	60	75	90
0.0°	6490	6490	6490	6490	6490	6490	6490
10.0°	3176	3176	3176	3176	3176	3176	3176
20.0°	1251	1251	1251	1251	1251	1251	1251
30.0°	371	371	371	371	371	371	371
40.0°	16	16	16	16	16	16	16
50.0°	5	5	5	5	5	5	5
60.0°	1	1	1	1	1	1	1
70.0°	0	0	0	0	0	0	0
80.0°	0	0	0	0	0	0	0
90.0°	0	0	0	0	0	0	0
100.0°	0	0	0	0	0	0	0
110.0°	0	0	0	0	0	0	0
120.0°	0	0	0	0	0	0	0
130.0°	0	0	0	0	0	0	0
140.0°	0	0	0	0	0	0	0
150.0°	0	0	0	0	0	0	0
160.0°	0	0	0	0	0	0	0
170.0°	0	0	0	0	0	0	0
180.0°	0	0	0	0	0	0	0

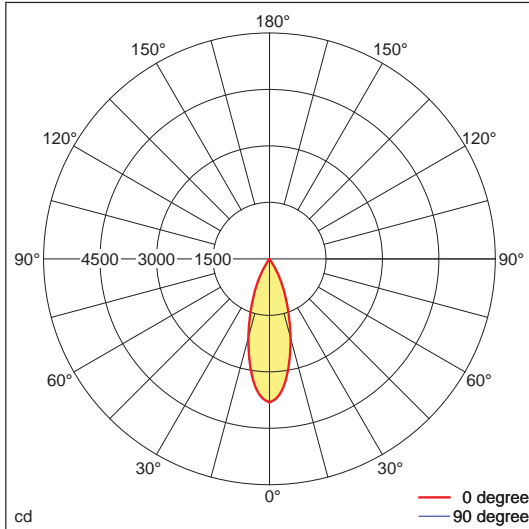
Intensities in cd based on 1400 lm

All values are rated values. Luminous flux and connected electrical load are subject to an initial tolerance of +/- 10%. Tolerance of color temperature: +/- 150 K. Unless stated otherwise, the values apply to an ambient temperature of 25°C.

Refer to IES Files for further photometric information at www.zumtobel.us

Photometric Data

VIVOXS1400K40FL90WHEU11SW



Technical Description	
Designation	VIVO XS LED1400-940 3CV FL-S WHM/-
Manufacturers	Zumtobel Lighting
Total lamp lumens	1400 lm
Input watts	22.0 W

Coefficients of Utilization														
Ceiling	80				70				50			30		
Walls	70	50	30	10	70	50	30	10	50	30	10	50	30	10
RCR	Effective Floor Cavity Reflectance = 20%								Spacing Criteria (along, across, 45°) = 0.6, 0.6, 0.6					
0	119	119	119	119	116	116	116	116	111	111	111	106	106	106
1	101	94	86	80	98	91	85	79	87	81	76	82	78	74
2	97	88	80	74	94	86	79	73	82	76	71	79	74	70
3	92	83	75	69	90	81	74	68	78	72	67	76	70	66
4	88	78	71	65	86	77	70	65	75	69	64	72	67	63
5	85	74	67	62	83	73	66	61	71	65	61	70	64	60
6	81	71	64	59	80	70	63	58	68	62	58	67	62	58
7	78	68	61	56	77	67	60	56	65	60	55	64	59	55
8	75	65	58	54	74	64	58	53	63	57	53	62	57	53
9	72	62	56	51	71	61	55	51	60	55	51	60	55	51
10	70	60	53	49	69	59	53	49	58	53	49	57	53	49

Luminances							
	C0	C15	C30	C45	C60	C75	C90
55.0°	1119	1119	1119	1119	1119	1119	1119
60.0°	285	285	285	285	285	285	285
65.0°	0	0	0	0	0	0	0
70.0°	0	0	0	0	0	0	0
75.0°	0	0	0	0	0	0	0
80.0°	0	0	0	0	0	0	0
85.0°	0	0	0	0	0	0	0
90.0°	-	-	-	-	-	-	-

Luminances in cd/m² based on 1400 lm

Candela distribution							
	0	15	30	45	60	75	90
0.0°	3810	3810	3810	3810	3810	3810	3810
10.0°	2922	2922	2922	2922	2922	2922	2922
20.0°	1450	1450	1450	1450	1450	1450	1450
30.0°	422	422	422	422	422	422	422
40.0°	18	18	18	18	18	18	18
50.0°	4	4	4	4	4	4	4
60.0°	0	0	0	0	0	0	0
70.0°	0	0	0	0	0	0	0
80.0°	0	0	0	0	0	0	0
90.0°	0	0	0	0	0	0	0
100.0°	0	0	0	0	0	0	0
110.0°	0	0	0	0	0	0	0
120.0°	0	0	0	0	0	0	0
130.0°	0	0	0	0	0	0	0
140.0°	0	0	0	0	0	0	0
150.0°	0	0	0	0	0	0	0
160.0°	0	0	0	0	0	0	0
170.0°	0	0	0	0	0	0	0
180.0°	0	0	0	0	0	0	0

Intensities in cd based on 1400 lm

All values are rated values. Luminous flux and connected electrical load are subject to an initial tolerance of +/- 10%. Tolerance of color temperature: +/- 150 K. Unless stated otherwise, the values apply to an ambient temperature of 25°C.

Refer to IES Files for further photometric information at www.zumtobel.us