



TECTON 59"

Applications: TECTON is a linear trunking system, offering easy installation, energy savings and low maintenance. Available with four different distributions – Wide Beam, Shelf Beam, Narrow Beam, Asymmetric Beam – clean lines of TECTON are perfect for supermarkets, retail stores, warehouses, libraries, offices, and many other applications. Available with these spotlights: VIVO MEDIUM and FACTOR CONICAL. See spotlight spec sheets for details.

Type: _____ **Quantity:** _____ **Project:** _____



Suitable for
Dry Locations

IBEW Union Made

ORDER 1 TRUNKING, 2 BATTEN, 3 FEED, AND 4 SUSPENSIONS

1A: ORDER TRUNKINGS

TECTONC		WH	
FIXTURE	LENGTH	COLOR	TYPE
TECTONC TECTONC LED Trunking	1500MM (59") 2000MM (79") 3000MM (118") 4000MM (157") 1000MM (39")	WH White	EMP Empty Trunking

1B: ORDER OPTIONS (AS NEEDED)

OPTIONS	
TECTONTECWH TECTONCA	Terminating End Cap, White Cutting Aid

Trunking – Made of roll-formed sheet steel painted with white polyester resin enamel. It has 7 integral current conducting sections for 3 switchable legs, two for dimming control wires, one for neutral and one for ground. It includes integral connector for electrical and mechanical quick connection. It is available in specific lengths that can be cut to size on site using the **Cutting Aid**.

Terminating End Cap is used to terminate the wires and cap a cut piece of trunking unit. Once trunking has been cut, it can only be capped with Terminating End Cap.

Empty trunking can be used as compensation piece for cutting to length special configurations with integrated physical connector. Out of a total length of 39" cutting range is 33". Offers maximum flexibility in positioning of continuous row luminaires. A new trunking unit can be attached to an uncut empty trunking unit, but requires a new feed. If an empty trunking unit is cut to size, it cannot be attached to another trunking unit to continue the row.

Terminating End Cap – 1 End Cap supplied, factory mounted.

Empty Trunking – No End Caps.

Weight – Trunking = 1.75 lbs/20"
Empty trunking = 3.7 lbs total
Cutting Aid = 1.5 lbs

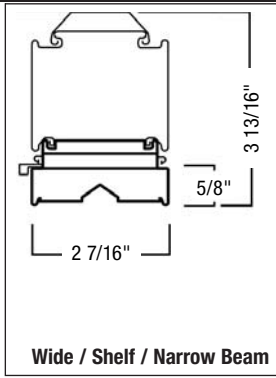


2A ORDER BATTENS

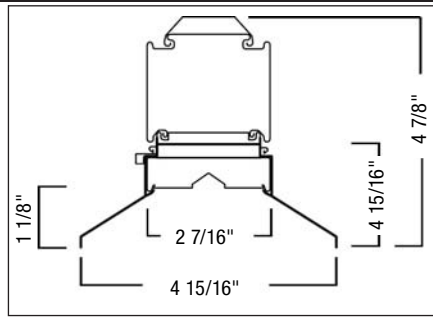
TECTONC					WH		
FIXTURE	LUMENS	CCT/CRI	LENGTH	OPTIC	FINISH	DRIVER	OPTIONS
TECTONC	5500 5500 delivered lm 8000 8000 delivered lm	830 3000K, CRI 80 835 3500K, CRI 80 840 4000K, CRI 80 CCT Multiplier for Lumen Output 3000K 0.95 4000K 1.00	L1500 59"	WB Wide Beam SB Shelf Beam NB Narrow Beam	WH White	DU Standard 0-10V Dimming Driver 10% Dimming (Dual Voltage 120/277) DH Lutron H-Series Dimming	EM Standby Battery Pack, not available on 1500mm unit.

2B: BATTEN ACCESSORIES AS NEEDED

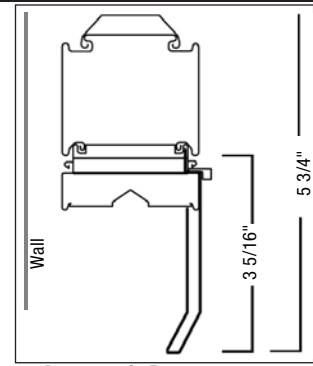
ACCESSORY	DESCRIPTION
TECTONEC	End caps (pair) For Wide Beam, Shelf Beam or Narrow Beam Optics. (Asymmetric Beam endcaps supplied with optic.)
TECTONBC4.8WH	Blank cover, white 58" length
TECTONEMJIG	EM Drill Jig (can be used for multiple EM units)
22169319	White UGR 19 reflector pair for 59" Wide Beam only
22169325	Asymmetric reflector for 59" Shelf Beam only



Wide / Shelf / Narrow Beam



Wide Beam with UGR 19 Reflectors installed



Asymmetric Beam accessory for Shelf Beam optic only

Battens – Designed to match trunking. Nominal 59" long LED continuous-row luminaire made of aluminum in white, powder coated finish.

0-10V dimming is standard with all optics. CRI 80. Initial color binning of LEDs is +/-150K for all CCTs. 50,000 hours rated life (L80.) 100% flexible, tool-free mechanical and electrical installation using CLIX-technology by means of two side-mounted rotary levers on the TECTON trunking.

Wide Beam distribution is used to place emphasis on uniform illumination of aisle zones and shelf surfaces in supermarket and other retail applications. Optional UGR 19 reflector can be attached separately to the Wide Beam optic. Minimizes glare for more comfortable viewing in certain applications such as workplaces or classrooms.

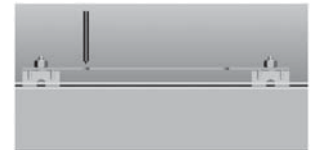
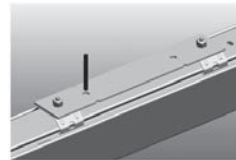
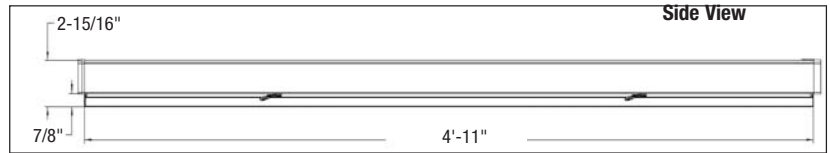
Shelf Beam provides higher intensity and uniform illumination on shelf surfaces. This optic was designed to direct customers' attention directly to the products on display. **Narrow Beam** is used in warehouse and other similar applications with high ceilings and tall shelving units. It uniformly illuminates the shelf surfaces. **All above optics require End Caps** to be ordered separately. See Batten 2B Accessory section for ordering information. Continuous fixture row only requires one pair of end caps. Alternating fixture cover installation requires end cap on each fixture. **Asymmetric Beam** accessory may be used as a wallwasher or to illuminate back freezer units in a supermarket. It is comprised of an unobtrusive reflector supplied with end caps that can be attached separately to the Shelf Beam optic. The reflector can be attached to either side of the batten.

Blank cover accessory can be used in between continuous row luminaires. It is a plastic cover strip made of polypropylene (white) that snaps on to the trunking. Easily field cuttable.

Option of integrated standby battery pack (EM) is available. An **EM drill jig** (ordered separately) is recommended for installation of EM units. See Batten 2B Accessory section for ordering and installation instructions for details.

NOTE: For EM with surface mounted unit, please contact factory.

Weight – Without EM = 5.7 lbs
With EM = 10 lbs

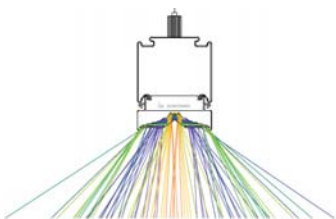


TECTON EM Drill Jig (see installation instructions for details)

Warranty Information – Despite the highest quality standards and careful examination of all components, there may be isolated instances of technology-related failures of individual LEDs during the specified product lifetime. The failure of 3 LED points within each 4' batten causes no functional impairment to the lighting performance of the luminaire and therefore does not qualify for warranty claim. Luminous flux and connected electrical load are subject to an initial tolerance of up to +/-10%. Color temperature is subject to a tolerance of up to +/-150 Kelvin from the nominal value.

Lumens	Watts	LM/W
8200lm	57W	144LM/W
5500lm	40W	138LM/W

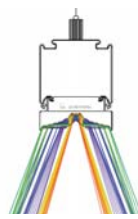
OPTICAL PERFORMANCE



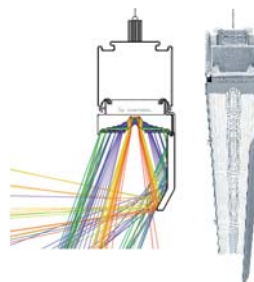
Wide Beam Distribution



Narrow Beam Distribution



Shelf Beam Distribution



Assymmetric Beam (Wall Wash) Distribution



Optional UGR 19 reflector field installed. Available on wide beam unit only.

3: ORDER FEEDS

TECTON		WH					
FIXTURE	FEED		COLOR	FEED CORD LENGTH		NO. OF WIRES	
TECTON TECTON LED	SF	Starter Feed	WH White	C1	70"	F5	5 wires
	SM	Surface/Wall Mount Feed		C2	157"	F7	7 wires (use for dimming)
				SM	Surface Mount		
				<i>SM option supplied with C1 Choose SM option for wall mounting</i>			

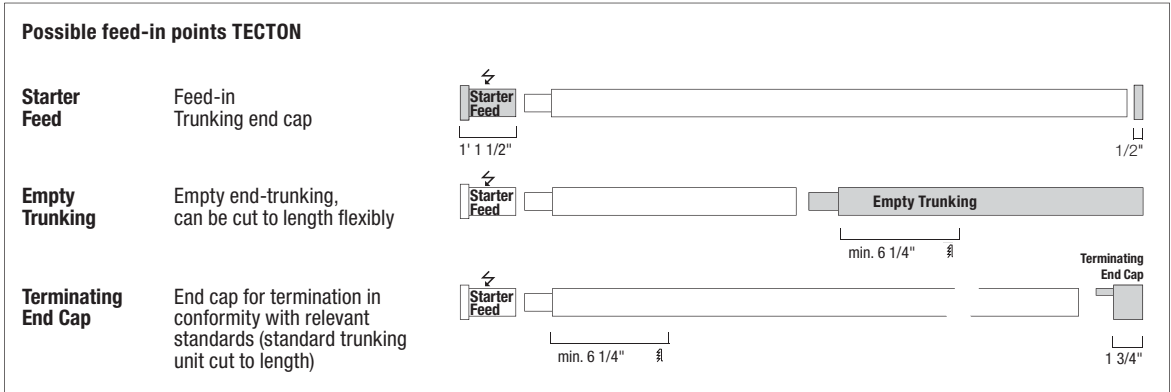
Feeds – Made of roll-formed sheet steel painted with white polyester resin enamel. The **Starter Feed**, for use at the beginning of a row of continuous trunking, contains pre-wired (5) 14-gauge SJT cord. For dimming applications an additional (2) 18-gauge SJT cords are supplied. It provides a feed point for continuous thru wire connection to the following trunking (15A max. rated, in single circuit with three switch legs). Supplied with busbar terminator cover.

Weight – Starter Feed 5 wire 70" = 1 lb
5 wire 157" = 3 lbs
7 wire 70" = 2 lbs
7 wire 157" = 4 lbs



Starter Feed – 2 End caps supplied, 1 of them field installed

Maximum length of fixture run per feed
120V 72ft
277V 144ft



4A: ORDER POWER FEED SUSPENSIONS – PENDANT

FIXTURE	MOUNTING		CANOPY		NO. OF WIRES	
TECTON TECTON LED	CBL070	70" Aircraft Cable	J5SW	J-Box mounting 5" square flat canopy, White	F5	5 Wire Power Feed
	CBL157	157" Aircraft Cable	T5SW	T-Bar mounting 5" square flat canopy, White	F7	7 wire Power Feed (use for dimming)
FOR EM UNITS						
TECTONEM TECTON LED EM	CBL070	70" Aircraft Cable	J5SW	J-Box mounting 5" square flat canopy, White	F3	3 Wire Power Feed
	CBL157	157" Aircraft Cable	T5SW	T-Bar mounting 5" square flat canopy, White		

4B: ORDER NON POWER FEED SUSPENSIONS – PENDANT

TECTON					
FIXTURE	MOUNTING		CANOPY		
TECTON TECTON LED	CBL070	70" Aircraft Cable	J5SW	J-Box Mounting 5" Square Flat Canopy, White	
			S2SW	1/4-20 Mounting 2" Square Flat Canopy, White	
	CBL157	157" Aircraft Cable	S5SW	1/4-20 Mounting 5" Square Flat Canopy, White	

4C: ORDER SUSPENSIONS – SURFACE, WALL

		MOUNTING	
TECTONWM	Wall Mount Bracket		
TECTONSM	Surface Mount Ceiling Bracket for sheetrock Ceiling		
TECTONSMIN	Surface Mount Caddy Clip for 9/16" Grid Ceiling		
TECTONSMIW	Surface Mount Caddy Clip for 15/16" Grid Ceiling		

NOTE: One suspension every 8' is recommended.

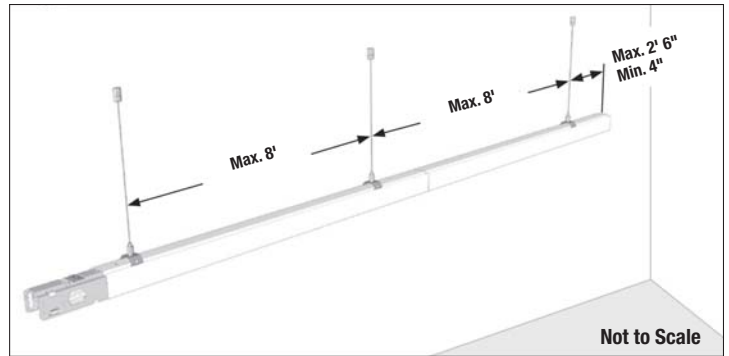
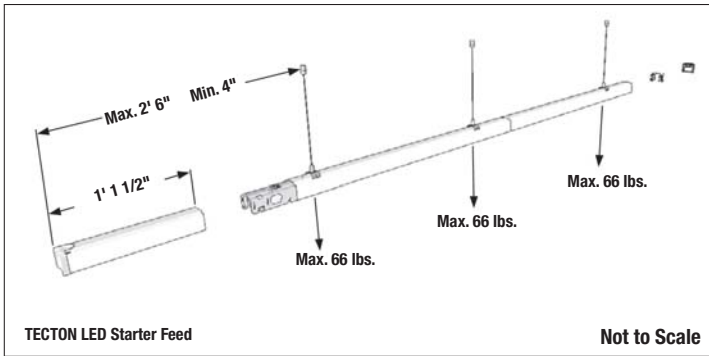
Mounting

Suspensions – Aircraft Cable: Aircraft cable is available for junction box mounting or T-bar mounting in standard lengths of 70" and 157". Feed point canopy covers are flat, 5" square, 16-gauge steel, white finish for Starter Feeds. For EM Feeds order EM specific power feed with 3-wire cord and 5" square flat, white canopy. It has a shared neutral and the unswitched trickle charge for the battery pack is on the same branch circuit in the trunking. Suspension options for non-power feed end are junction box mounting with 5" square canopy or 1/4-20 fastener with 2" or 5" square canopy. Proprietary CLIX bracket with spring-loaded cable connector attaches support to TECTON LED trunking where needed without fasteners. Maximum distance between suspension points not to exceed 8'-0". Distance from end of housing to first or last suspension point: 4" minimum, 30" maximum.

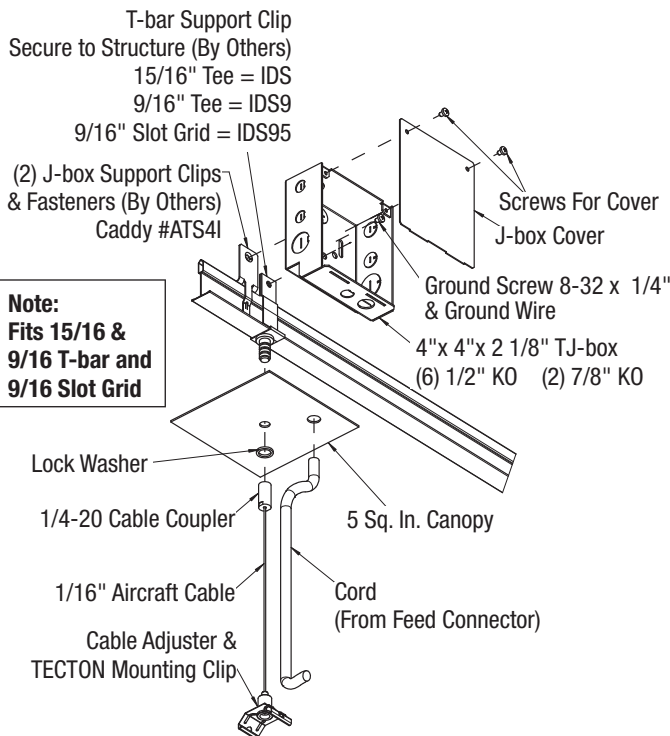
Surface mounting: CLIX connector bracket and hardware (has 1/2" diameter hole for fasteners by others.) 7/16" gap to ceiling surface. Clip TECTONSM CLIX connector bracket to housing for support where needed without fasteners. Maximum distance between suspension points not to exceed 8'-0". Distance from end of housing to first or last suspension point: 4" minimum, 30" maximum. For grid ceilings, caddy clips made of stainless steel fastened to trunking using CLIX technology are available. **Maximum tensile load of 66 lbs.**

Wall mounting: Fastening spring made of stainless steel and can carry a maximum load of 33 lbs. It has a keyhole for easy hook-in. Fastened to trunking using CLIX technology. Recommended spacing is maximum 5ft.

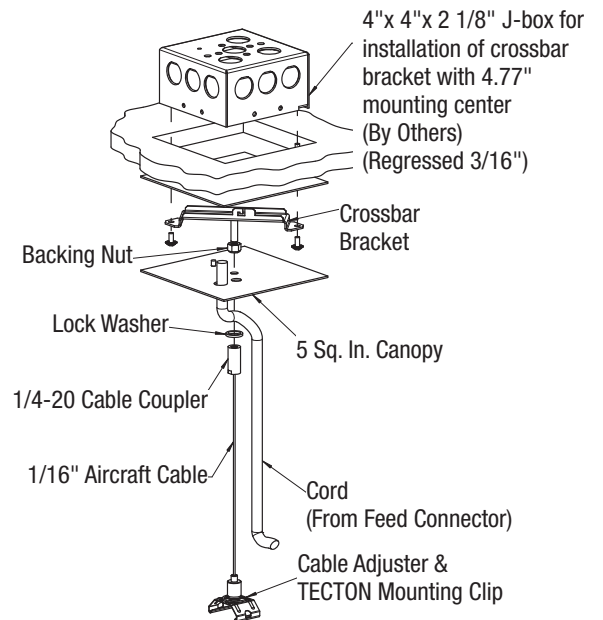
NOTE: Finished suspension length will be reduced by maximum 2'-6" depending on location of first and last aircraft cable.



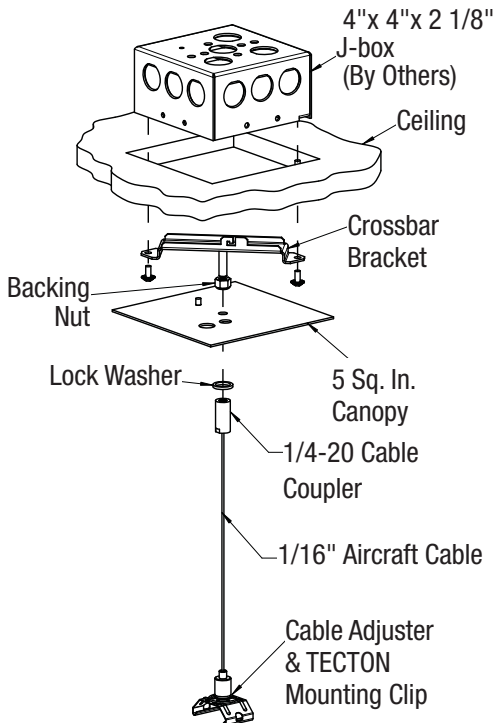
T-bar Mounted with Power Feed



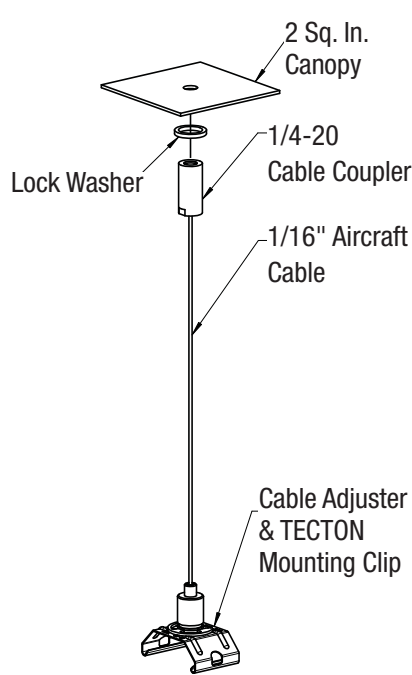
J-box Mounted with Power Feed



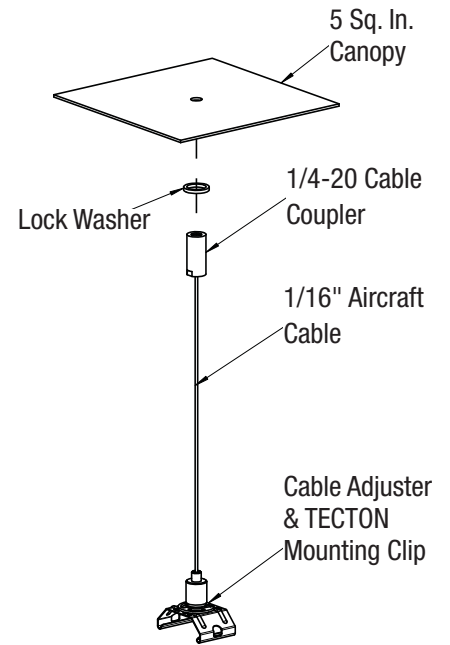
J-box Mounted Non-Power Feed



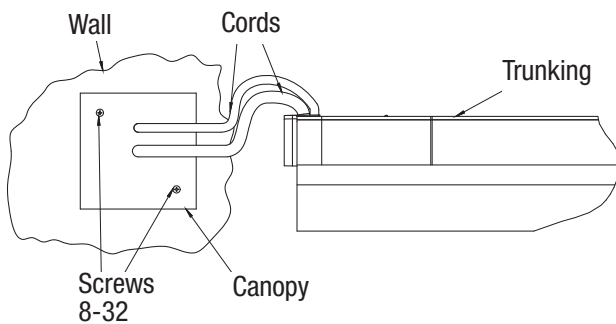
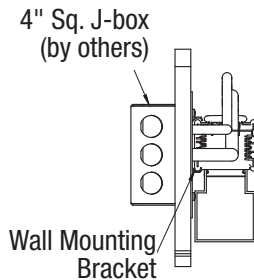
1/4-20 Fastener Non-Power Feed – 2" Canopy



1/4-20 Fastener Non-Power Feed – 5" Canopy



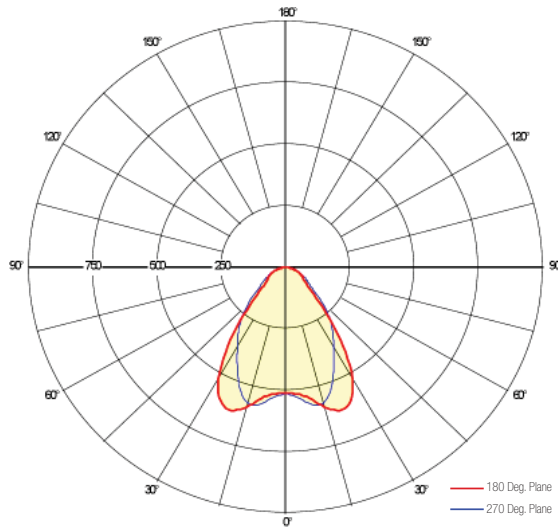
Surface/Wall Mounted with Power Feed



Photometric Data

TECTONC LED, Wide Beam, 57W, 4000K TECTONCLED-1500-8200LM-840-WB-WH-DU

Efficacy = 144 lm/W



Average Luminance (cd/m ²)				
Horizontal Angle (Degrees)				
	0	45	90	
Vertical Angle (Degrees)	45	19259	27032	24658
	55	13009	13934	16435
	65	13211	9095	14137
	75	10954	7560	10181
	85	7284	6187	8482

COEFFICIENTS OF UTILIZATION - ZONAL CAVITY METHOD																				
Effective Floor Cavity Reflectance 0.20																				
RC	80				70				50				30				10			0
RW	70	50	30	10	70	50	30	10	50	30	10	50	30	10	50	30	10	0		
0	119	119	119	119	116	116	116	116	111	111	111	107	107	107	102	102	102	100		
1	111	107	104	101	109	105	102	99	101	99	96	97	95	93	94	92	91	89		
2	103	97	91	87	101	95	90	86	91	87	84	88	85	82	85	82	80	78		
3	96	87	81	75	94	86	80	75	83	78	73	80	76	72	78	74	71	69		
4	89	79	72	66	87	78	71	66	76	70	65	73	68	64	71	67	63	62		
5	83	72	65	59	81	71	64	59	69	63	58	67	62	58	66	61	57	55		
6	78	66	59	53	76	65	58	53	64	57	52	62	56	52	61	56	52	50		
7	73	61	53	48	71	60	53	48	59	52	48	57	52	47	56	51	47	45		
8	68	56	49	44	67	56	49	44	55	48	43	53	47	43	52	47	43	41		
9	64	52	45	40	63	52	45	40	51	44	40	50	44	40	49	43	39	38		
10	61	49	42	37	59	48	41	37	47	41	37	46	41	37	46	40	36	35		

Taken from file: 42183328.ies

All values are rated values. Luminous flux and connected electrical load are subject to an initial tolerance of +/- 10%. Tolerance of color temperature: +/- 150 K. Unless stated otherwise, the values apply to an ambient temperature of 25°C.