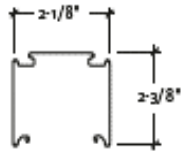


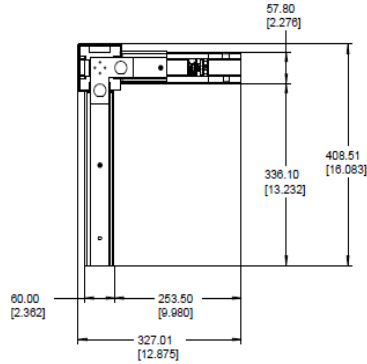


## TECTON Trunking

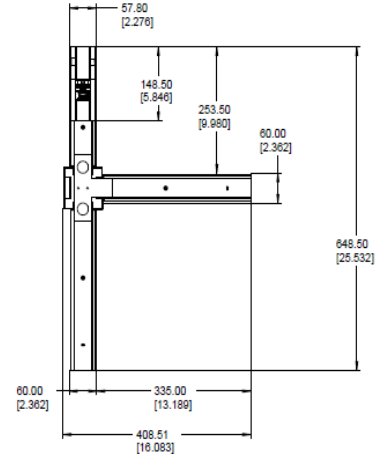
### TECTON TRUNKING



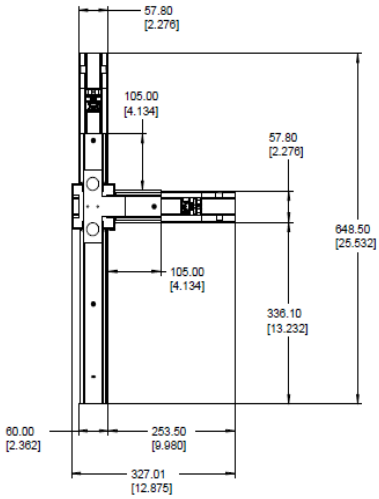
### TECTON TVL2 CORNER



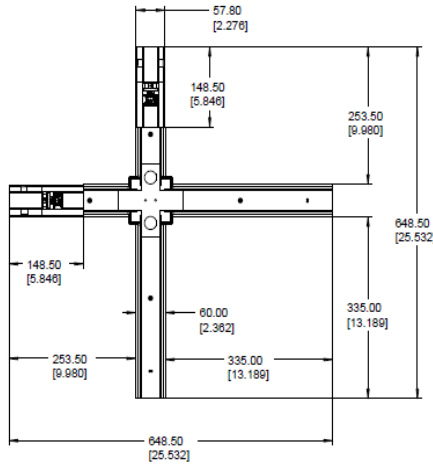
### TECTON TVT3 CORNER



### TECTON TVT4 CORNER



### TECTON TVX CORNER



Using various node connectors, the TECTON continuous-row lighting system can be assembled and combined in a myriad of variants from opened to closed configurations (consult factory for all configurations). Below is a grid configuration as an example.

