

MELLOW LIGHT infinity / evolution Surface

DO NOT REMOVE THE LED ASSEMBLY. THIS WILL VOID THE WARRANTY. CALL ZUMTOBEL AT 1-800-448-4131 FOR QUESTIONS.

RISK OF FIRE AND ELECTRICAL SHOCK

Contact, improper installation, or improper servicing MAY RESULT IN DEATH OR SERIOUS INJURY! Fixture must be installed by a qualified electrician only. Fixture is intended for installation in accordance with the National Electrical Code, local and federal code specifications. Disconnect power at electrical panel before servicing. Retain these instructions for maintenance reference.

ADVERTENCIA: RIESGO DE INCENDIO O IMPACTO ELÉCTRICO

Conexión, instalación inapropiada o servicio incorrecto PUEDE CAUSAR MUERTE O HERIDAS GRAVES. La luminaria debe ser instalada únicamente por un eléctrico calificado. La luminaria debe instalarse de acuerdo al Norma eléctrica nacional, al igual que especificaciones locales y normas federales. Se debe desconectar la corriente eléctrica antes de realizar la mantención. Conservar estas instrucciones como referencia para futuras mantenciones.

ATTENTION: RISQUE D'INCENDIE ET D'ELECTROCUTION

Une installation, un entretien ou un contact physique non conforme pourraient mener à un DANGER DE MORT OU DE BLESSURE GRAVE! L'appareil doit être installé uniquement par un électricien professionnel qualifié. L'installation doit respecter le code électrique national de même que les lois locales et fédérales en vigueur. Veuillez fermer l'alimentation électrique au panneau principal avant tout entretien. Conservar ces instructions pour référence et tout entretien futur.

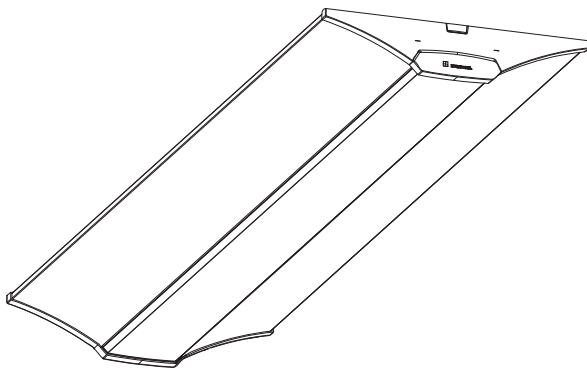
IMPORTANT PREINSTALLATION NOTE:

These instructions are only for inaccessible ceilings (gypsum board or selected concealed). For other ceiling conditions, consult factory.

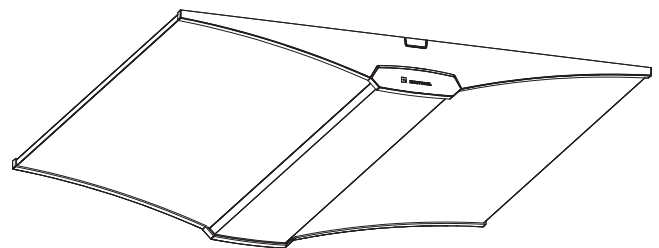
Below instructions and images are valid for both 1'x4' and 2'x2' sized fixtures

Included: Fender washers

Not Included: Junction box, whip flex, screws, screw anchors, suction cups. Suction cups may be ordered separately.



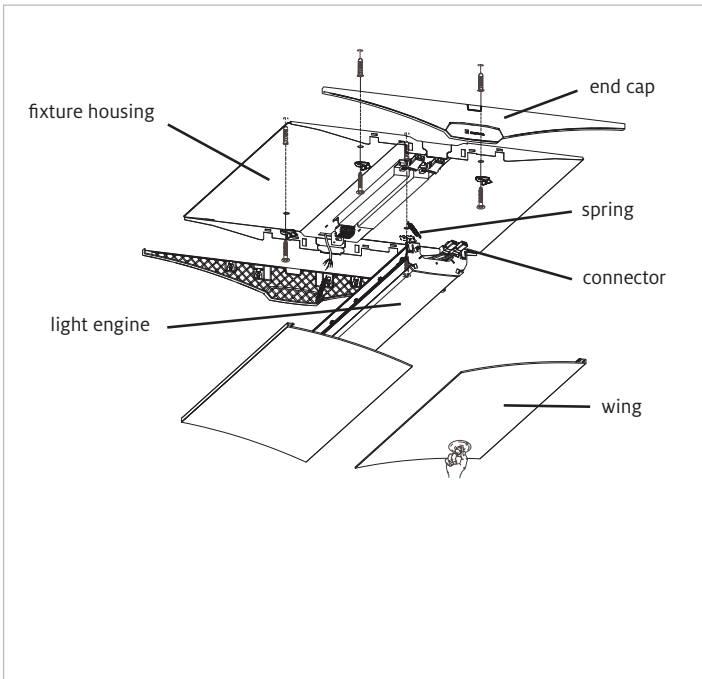
SURFACE MOUNTED
MELLOW LIGHT INFINITY / EVOLUTION 1'X4'



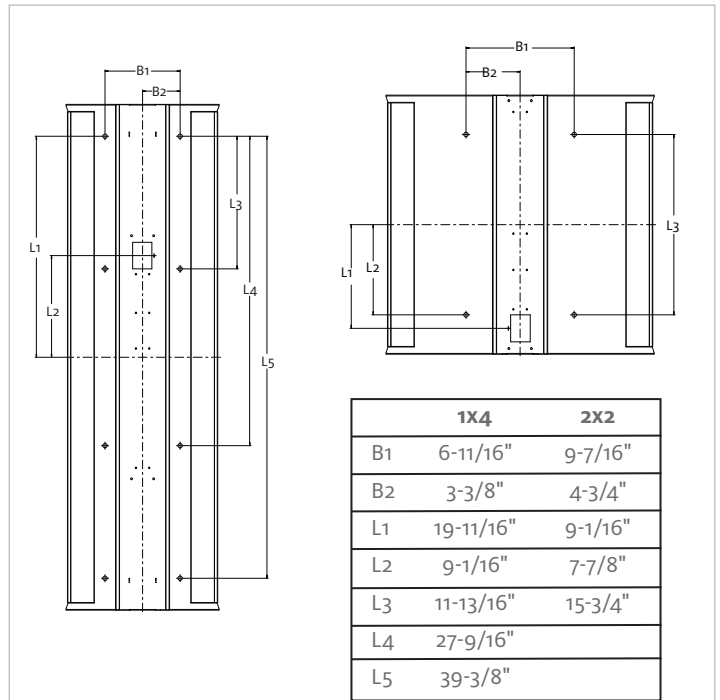
SURFACE MOUNTED
MELLOW LIGHT INFINITY / EVOLUTION 2'X2'

MELLOW LIGHT infinity / evolution Surface

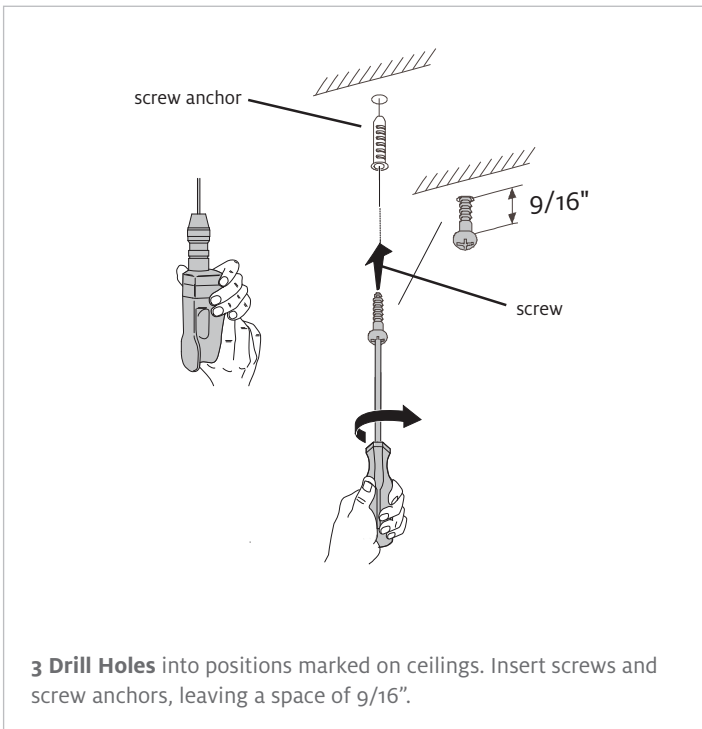
DO NOT REMOVE THE LED ASSEMBLY. THIS WILL VOID THE WARRANTY. CALL ZUMTOBEL AT 1-800-448-4131 FOR QUESTIONS.



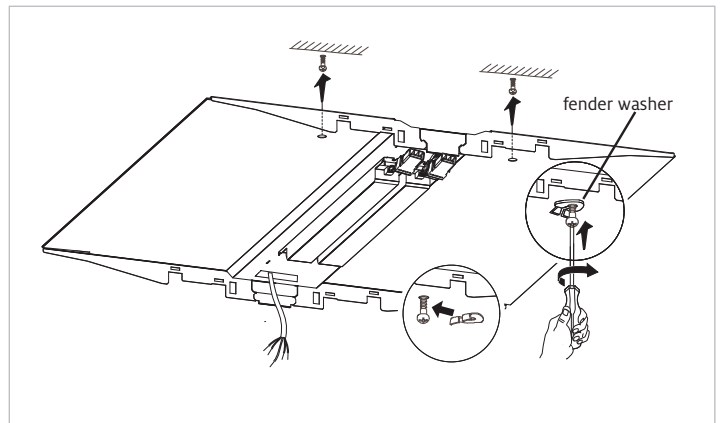
1 Unpack Fixture and Disassemble for Installation Fixture shipped fully-assembled. Remove lens assembly with suction cups. Remove safety spring to completely detach from housing.



2 Mark on the Ceiling the positions of the screws with a pencil.



3 Drill Holes into positions marked on ceilings. Insert screws and screw anchors, leaving a space of 9/16".

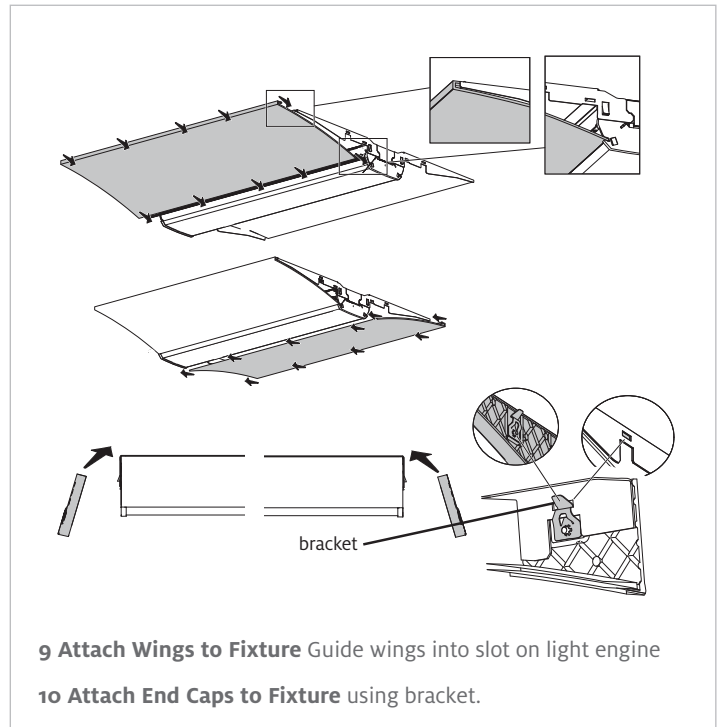
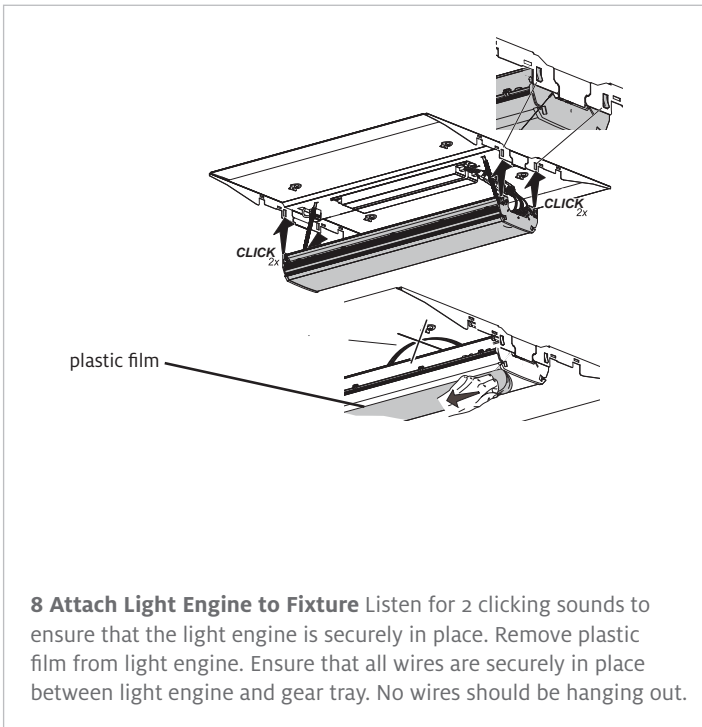
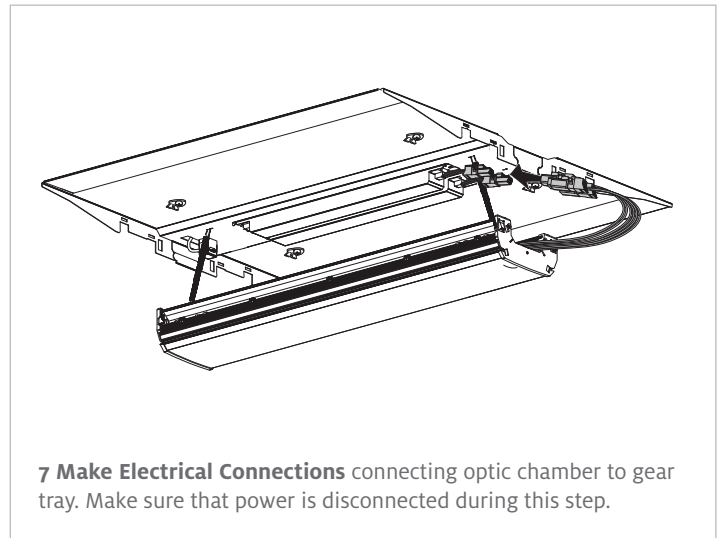
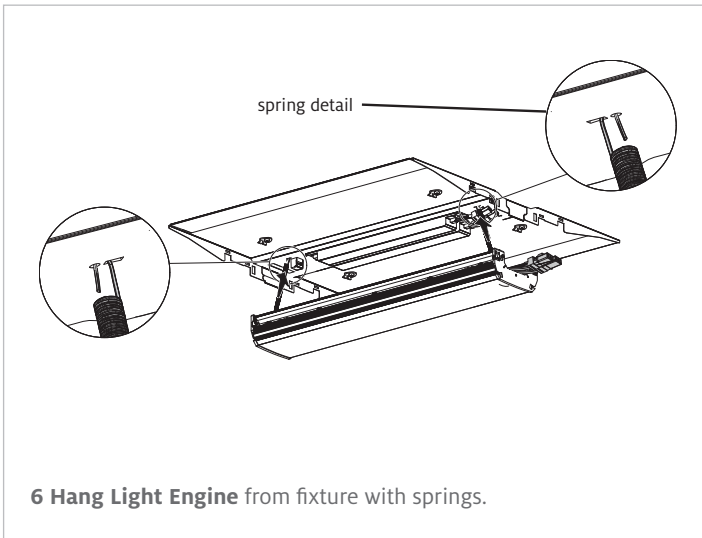


4 Fixture Wiring Remove junction box cover. Install power whip/flex (by others) to junction box cover. Complete wiring and reinstall cover. See attached wiring diagrams for more details. Note: Infinity model has 2 sets of drivers, please consult factory with any questions.

5 Mount Fixture Raise fixture housing against ceiling. Align fixture mounting holes to mounting screws. Position fender washer under screw head. Tighten screws to secure fixture in place.

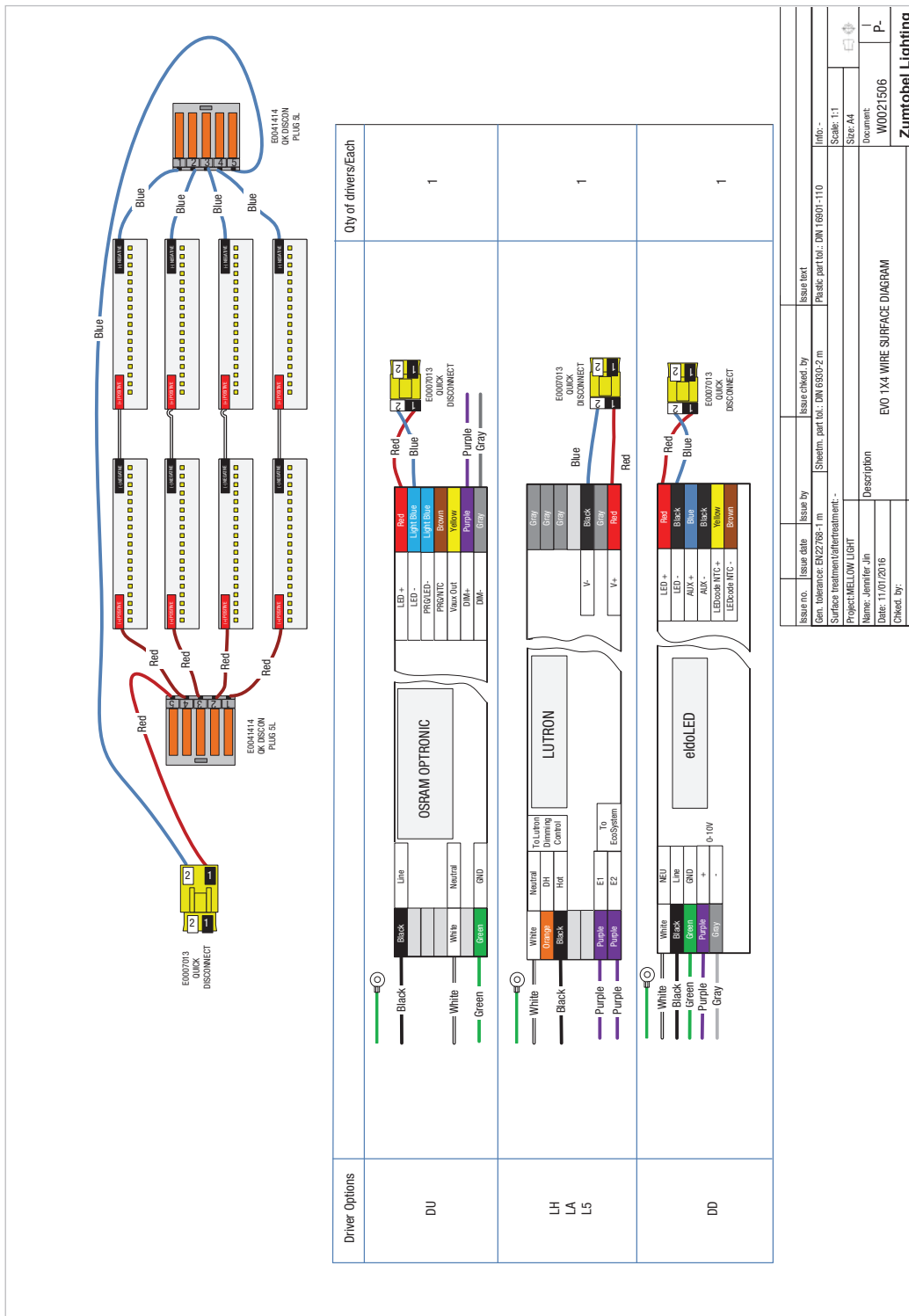
MELLOW LIGHT infinity / evolution Surface

DO NOT REMOVE THE LED ASSEMBLY. THIS WILL VOID THE WARRANTY. CALL ZUMTOBEL AT 1-800-448-4131 FOR QUESTIONS.



MELLOW LIGHT infinity / evolution Surface

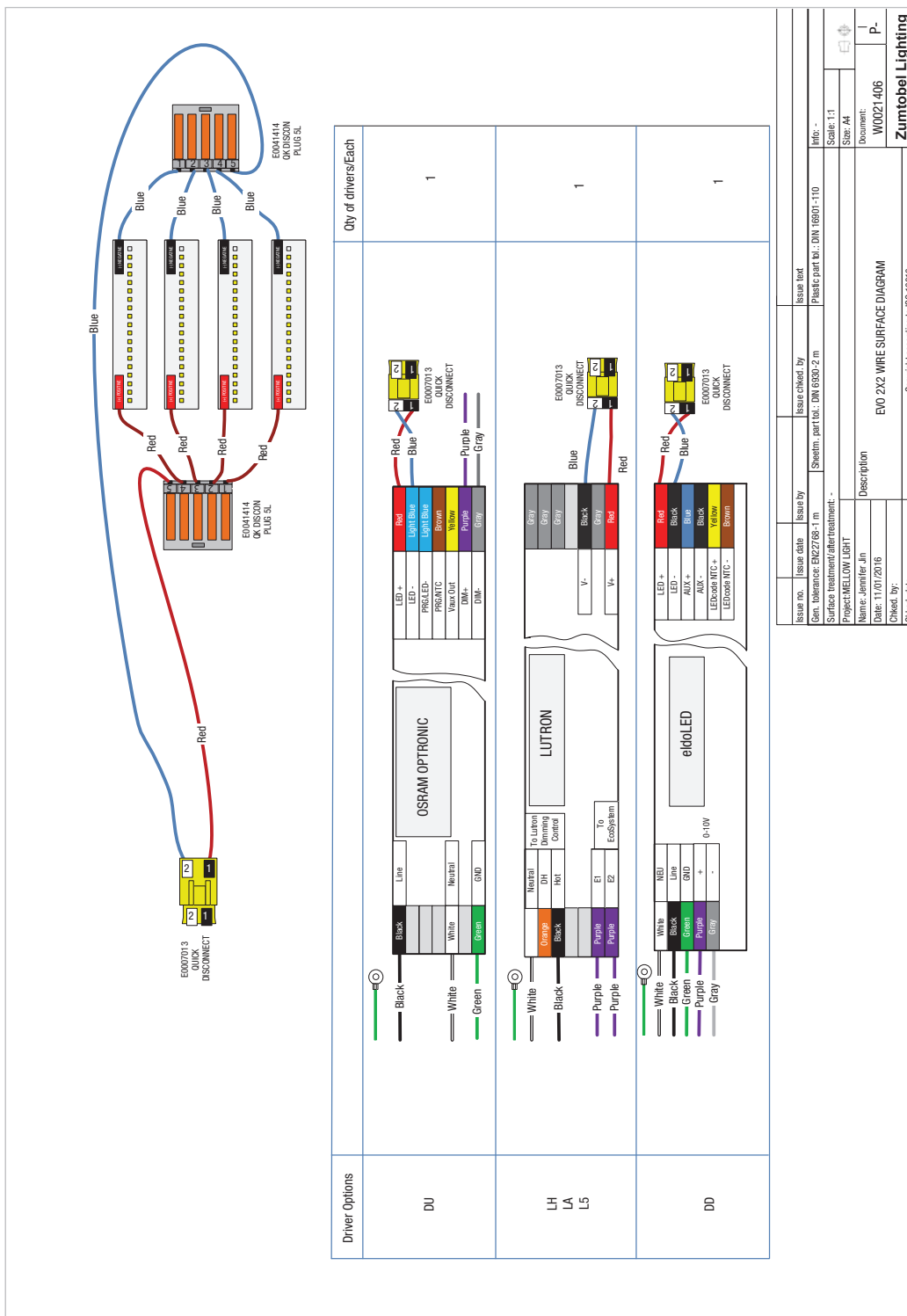
DO NOT REMOVE THE LED ASSEMBLY. THIS WILL VOID THE WARRANTY. CALL ZUMTOBEL AT 1-800-448-4131 FOR QUESTIONS.



Issue no.	Issue date	Issue by	Issue checked by	Issue text
Gen. tolerance: EN22786-1 m	Sheetm. part no.: DIN 6930-2 m	Surface treatment/aftertreatment: -	Plastic part no.: DIN 1601-110	
Project: MELLOW LIGHT				
Name: Jennifer Jin	Description			
Date: 11/01/2016	EVO 1X4 WIRE SURFACE DIAGRAM			
Checked by:				
Checked date:	Copyright according to ISO 15016			
Info: -	Scale: 1:1	Size: A4	Document: W0021506	Zumtobel Lighting

MELLOW LIGHT infinity / evolution Surface

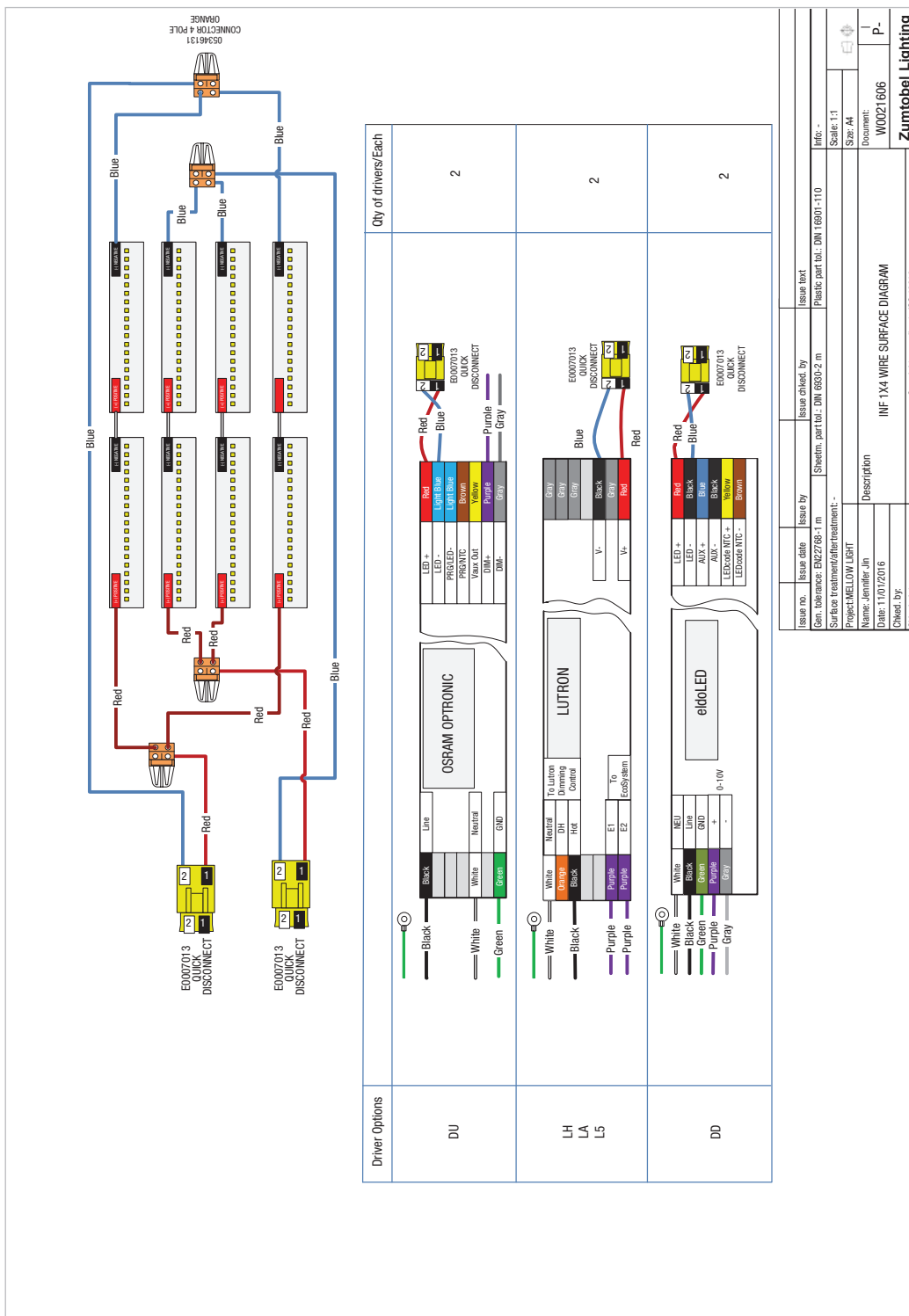
DO NOT REMOVE THE LED ASSEMBLY. THIS WILL VOID THE WARRANTY. CALL ZUMTOBEL AT 1-800-448-4131 FOR QUESTIONS.



Issue no.	Issue date	Issue by	Issue checked by	Issue text
Gen. tolerance: EKZ7768-1 m	Sheetim. part no.: DN 16001-110	Surface treatment after treatment: -	Plastic part no.: DN 6800-2 m	Info: -
Project: MELLOW LIGHT	Name: Arminier 4in	Date: 11/01/2016	Checked by:	Checked date:
Description				EVO 2X2 WIRE SURFACE DIAGRAM
Document:				W0021406
Scale: 1:1				Size: A4
Sheet: 1:1				Page: 1
Zumtobel Lighting				

MELLOW LIGHT infinity / evolution Surface

DO NOT REMOVE THE LED ASSEMBLY. THIS WILL VOID THE WARRANTY. CALL ZUMTOBEL AT 1-800-448-4131 FOR QUESTIONS.



Issue no.	Issue date	Issue by	Issue checked by	Issue text
Gen. tolerance: E022768-1 m	Sheetm. part no.: DN 6890-2 m	Plastic part no.: DN 16001-110	Surface treatment/after treatment: -	
Project: MELLOW LIGHT				
Name: Jennifer Jin	Description			
Date: 11/01/2016	INF 1X4 WIRE SURFACE DIAGRAM			
Checked by:	W0021606			
Checked date:	Zumtobel Lighting			
Copyright according to ISO 16016				

