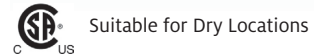




LINETIK
Free Standing Luminaire

- Ultra-slim lighting element and stand only 1" X 1"
- Asymmetrical glare free light distribution delivered along length of desk
- Luminaire efficacy: 110 lm/W
- Direct and indirect components individually adjustable – configure to suit your needs
- Control panel ergonomically intergated into the luminaire stand
- Remote control option available

DELIVERED LUMENS	COLOR TEMPERATURE	COLOR RENDERING	WATTS
7656lm 8000lm	3000 K 4000 K	CRI 80+	69 W



Order Code

LINETIK
FS
3
4
SC
[A]
1
2

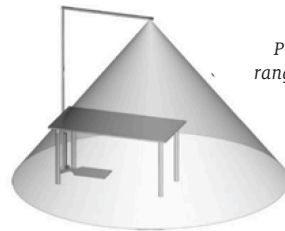
- 1 FIXTURE **LINETIK** Linetik
- 2 MOUNTING **FS** Freestanding
- 3 LED MODULE **830** 80 CRI 3000 K | **840** 80 CRI 4000 K
- 4 FINISH **WH** White | **BK** Black
- 5 CONTROL OPTIONS **SC** Sensor Control (Integral)

[A] OPTIONAL ACCESSORIES

- 1 REMOTE CONTROL **28 000 647** Remote control IR6
- 2 PROGRAMMER **28 000 257** Basic DIM ILD Programmer



Integrated motion Sensor



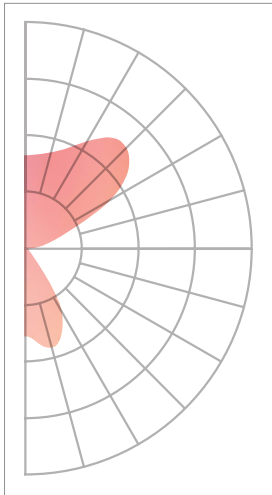
Presence detection range of approximately 11'-6" (3.5m)

The integrated motion sensor at the end of the luminaire activates the luminaire (to illuminate) automatically and also switches it off again during periods of absence. Simultaneously the light sensor constantly measures the illuminance on the desk and dims the luminaire to a constant level according to the available daylight and artificial light.



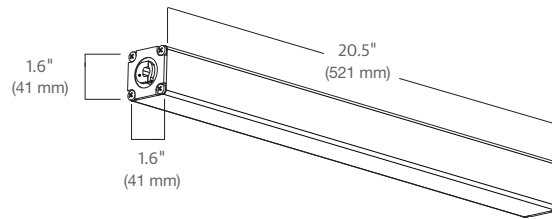
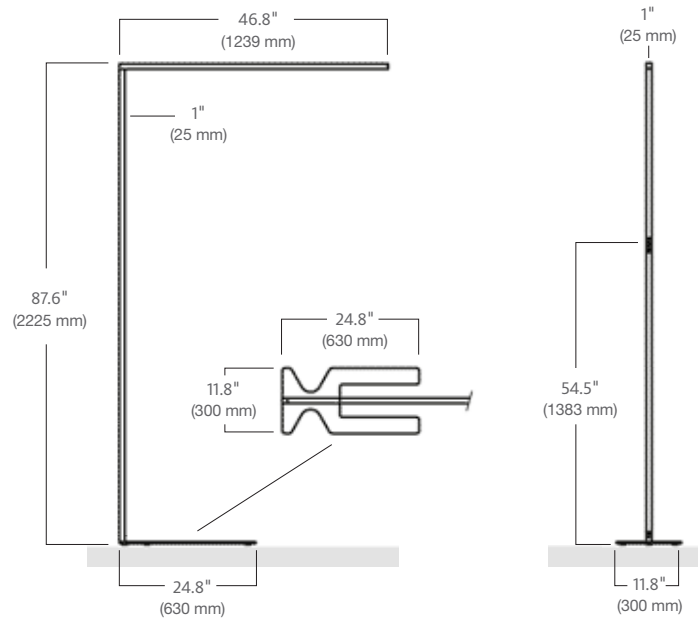
Adjust the direct and indirect light individually

Light Distribution



Indirect/Direct Ratio
71:29

Dimensions



Optical Performance

CRI	CCT	Lumens	W	Efficacy
80	3000	7656	69	110
	4000	8000	69	115

Technical Detail

1) Wattage and CCT: Unit is available as 69 W in 3000 K, and 4000 K with CRI 80+.

2) Control: Separate control of direct/indirect light. Control panel is integrated into the luminaire stand with individually settable brightness and motion sensor. Remote control for individual parameterization must be ordered separately (article 28000257).

3) Construction: Aluminium luminaire stand and steel base for good stability. Luminaire with white or black powder-coating. Luminaire contains halogen-free wiring. Supply lead is not halogen-free.

4) Application: LED converter in external converter box on the connection cable.

Connection cable: black, length from converter to power receptacle 6 ft. Dimensions of external converter box: 20-1/2" x 1-9/16" x 1-9/16" black.

5) Life: 50,000 hours rated life. L80.

6) Weight: 37 lbs