



24" Surface Mount

ONDARIA

24" Surface Mount

- Homogeneous illumination with diffused wide-area lighting makes rooms appear larger and wider
- Circular design allows fully flexible positioning in the room
- 2% uplight component to create a subtle halo effect around the fixture
- High efficacy up to 95 lm/W
- Ideal for prestigious areas such as receptions, entrance and waiting areas as well as break-out zones, and to produce gentle ambient lighting in shops
- Available in Luminance Reducing Optic (LRO) with micro-prismatic surface – UGR < 19 suitable for workplace applications

IBEW UNION MADE

DELIVERED LUMENS	COLOR TEMPERATURE	COLOR RENDERING	WATTS	UGR
2890 lm – 4507 lm	3000 K	CRI 90+	32 W	< 19 LRO
	3500 K		40 W	< 22 Opal Optic
	4000 K		47 W	
Tunable White (2700K – 6500K) (MacAdam 3 Step)				



Suitable for damp locations

Order Code

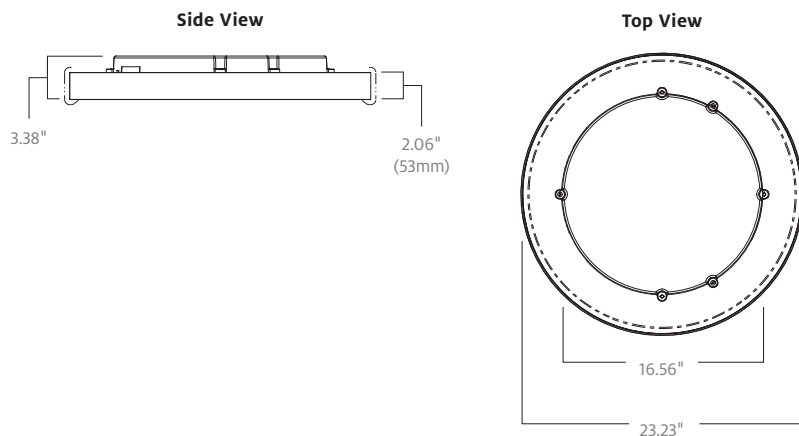
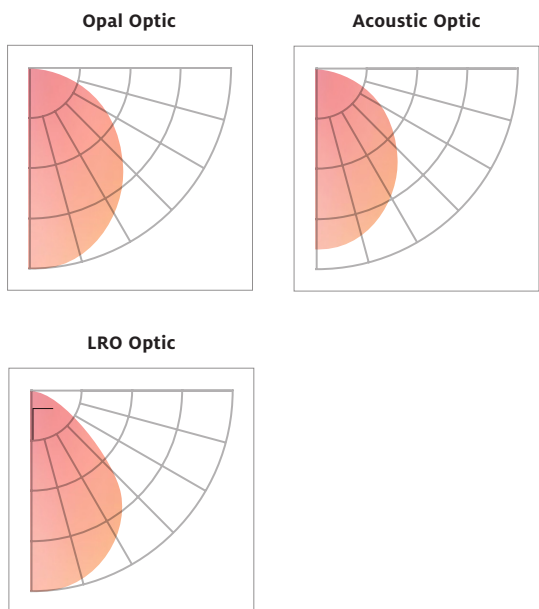
ONDA2M	2	X	4	5	6	DR	8	9	10
---------------	---	----------	---	---	---	-----------	---	---	----

1	FIXTURE	ONDA2M ONDARIA 24"
2	MOUNTING	AS Surface Sheetrock AG Surface Grid ¹
3	SUSPENSION	X None
4	OPTIC	OL Opal Optic LR Luminance Reducing Optic ² AV Acoustic Version ³
5	LUMEN OUTPUT	HE High Efficiency HO High Output GO Low Glare Output ²
6	LED MODULE	K930 3000 K, 90 CRI K935 3500 K, 90 CRI K940 4000 K, 90 CRI K900 Tunable White ⁴ K9ZS Zumtobel SPECTRUM ⁴
7	DISTRIBUTION	DR Direct Only
8	HOUSING FINISH	WH White BK Black
9	DRIVER	DU 0-10 V 120/277 V ⁵ DD DALI 120/277 V DH Lutron 120/277 V ⁵ CU 0-10 V 347 V ⁵ DW Wireless
10	OPTIONS	EM Standby Battery

- 1 Designed for center mount on 2x2 GRID, for other options please consult factory.
- 2 Luminance Reducing Optic (LR) and Low Glare Output (GO) are exclusive to each other and cannot be combined with another optic or lumen output selection.
- 3 Acoustic Version optic requires selection of HO High Output for lumen output.
- 4 Driver selection must be **DD** DALI or **DW** Wireless.
- 5 Not available with Tunable White.

Light Distribution

Dimensions



Photometric Performance

		Opal Optic (HE) 935		Opal Optic (HO) 935		LRO Optic (GO) 935		Acoustic Optic (HO) 935	
		Lumens	Watts	Lumens	Watts	Lumens	Watts	Lumens	Watts
SURFACE	24"	2890	32	4507	47	3000	40	2438	46
	34"	6800	75	10658	107	7200	85	5113	97
	45"	11180	124	17437	179	11800	150	7844	148

Multipliers

CCT and CRI		
CRI	CCT	Multiplier
90	3000	1.00
	3500	1.00
	4000	1.00

Technical Detail

1) Construction: White enamel aluminum housing with soft outlines. Inner surface of the luminaire is painted with a high reflection finish for increased efficiency. Ceiling trim ring is standard white.

2) Wattage and CCT: ONDARIA 24" is available in Direct 3000 K, 3500 K, or 4000 K, with CRI 90+. Tunable White available with DALI dimming driver or Wireless option only.

3) Optics: Uniform backlighting of Opal Optic creates non-directional light. Luminance Reducing Optic (LRO) also available. Acoustic Version (AV) is a textile, sound absorbing fabric.

4) Driver: ONDARIA is available with standard 120/277 V 0-10 V dimming driver (1%), 347 V 0-10 V dimming driver (1%), Lutron LDE1 Hi-lume (1%) digital EcoSystem with SoftOn/ FadeToBlack or DALI dimming driver (1%).

Tridonic Wireless option is available. It is a Bluetooth Wireless controller that can be controlled using the 4remote BT app or Bluetooth switches.

5) ZUMTOBEL Spectrum: Please use QR code for complete details.



6) Mounting: Mounting is available for Sheetrock or Grid ceiling. The unit may also be wall mounted with the opal optic. The Luminance Reducing Optic (LRO) optic may not be wall mounted.

7) Life: 50,000 hours rated life. L90.

8) Options: Standby Battery Pack (EM) 10 W, 900 lumens illuminates for 90 minutes. EM is supplied remote from the fixture and is ONLY available for surface and recessed mount in accessible ceilings.

9) Weight: 18 lb. With Standby Battery Pack 19 lb.

10) Declare Information:

