



MIREL

Pendant 1' X 4'

- Unobtrusive design provides high-efficiency lighting with up to 124 lm/W
- Light guided via Quadrification Lens Optic (QLO) for low glare and batwing distribution
- 70% Direct / 30% Indirect distribution effectively lights entire space
- Lightweight and durable injection-molded white polycarbonate fascia
- Available optional emergency egress battery pack for egress lighting upon loss of building power

MADE IN THE USA

DELIVERED LUMENS	COLOR TEMPERATURE	COLOR RENDERING	WATTS	UGR
2966 lm – 3122 lm	3000 K	CRI 80+	29 W	< 16
5322 lm – 5602 lm	3500 K		45 W	
	4000 K		(up to 124 lm/W)	

(MacAdam 3 Step)



Suitable for Dry Locations
NYC Approved

Fixture Order Code

MIRELEVO	14	PD	4	DI	6	L	8	9
----------	----	----	---	----	---	---	---	---

- | | | |
|---|---------------------|---|
| 1 | FIXTURE | MIRELEVO |
| 2 | SIZE | 14 1' X 4' |
| 3 | CEILING TYPE | PD Pendant Mounted |
| 4 | LUMENS ¹ | 2900 2900 lm 5700 5700 lm |
| 5 | DISTRIBUTION | DI Direct / Indirect Distribution |
| 6 | CCT / CRI | 830 80 CRI, 3000 K 835 80 CRI, 3500 K 840 80 CRI, 4000 K |
| 7 | OPTIC | L Quadrification Lens Optic |
| 8 | DRIVER | DU 0-10 V DD DALI DH Lutron |
| 9 | OPTIONS | EM Standby Battery Pack |

¹ For exact lumens, see optical performance and multiplier table on next page.

Feed Canopy Suspension Kit Order Code

SUS	2	3	4	5	6
-----	---	---	---	---	---

- | | | |
|---|-------------|---|
| 1 | SUSPENSION | SUS Suspension Kit |
| 2 | MOUNTING | 070 70" Cable 157 157" Cable |
| 3 | CANOPY TYPE | ST Standard DP Deep ¹ DE Deep Conduit End ¹
DL Deep Conduit 'L' ¹ DS Deep Conduit Straight ¹
DT Deep Conduit 'T' ¹ |
| 4 | CANOPY | 1J5 Single Point J-Box 5" 1T5 Single Point T-Bar 5" |
| 5 | FEED | SF Single Feed DF Dual Feed |
| 6 | COLOR | B Black S Silver W White |

¹ Only available on J5 without EM

Non-Feed Canopy Suspension Kit Order Code

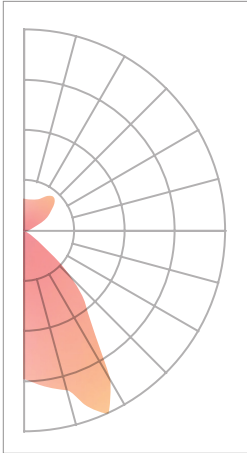
SUS	2	ST	4	NF	6
-----	---	----	---	----	---

- | | | |
|---|-------------|--|
| 1 | SUSPENSION | SUS Suspension Kit |
| 2 | MOUNTING | 070 70" Cable 157 157" Cable |
| 3 | CANOPY TYPE | ST Standard |
| 4 | CANOPY | 1S1 Single Point Structure 1"¹ 1T2 Single Point T-Grid 2"² |
| 5 | FEED | NF No Feed |
| 6 | COLOR | B Black S Silver W White |

¹ Works with 1J5 Feed
² Works with 1T5 Feed

Light Distribution

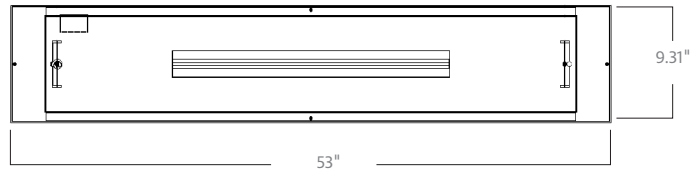
5700 lm | 4000 K



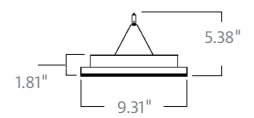
Direct / Indirect
(70% downlight, 30% uplight)

Dimensions

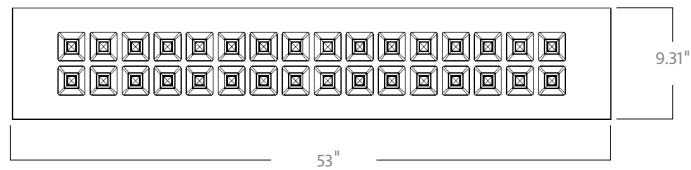
Top View



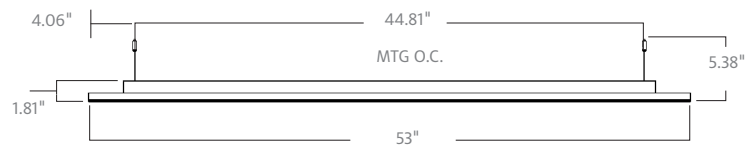
End View



Bottom View



Side View



Optical Performance

840

Fixture	Watts	Lumens	Efficacy
Pendant 1' X 4'	29	3122	108
	45	5602	124

Multipliers

CRI	CCT	Multiplier
80	3000	0.95
	3500	0.97
	4000	1.00

Technical Detail

1) Construction: The housing is made of cold rolled steel post-painted and a white injection molded polycarbonate faceplate.

2) Wattage & CCT: The unit is available in 29 W or 45 W in 3000 K, 3500 K and 4000 K color temperatures with CRI 80+.

3) Optics: The direct light is guided via the Quadrification Lens Optic (QLO) for a maximum luminaire efficiency, an optimized glare reduction and a batwing light distribution. A Total Internal Reflection (TIR) optic produces a smooth and uniform indirect illumination free of any striations.

4) Driver: The unit is available with universal voltage 120/277 V 0-10 V dimming driver, DALI dimming driver and Lutron LDE1 Hi-lume (1%) digital EcoSystem with SoftOn/FadeToBlack. Lutron dimming requires two drivers. Direct and indirect are switched together. For non-dimming requirements, order DU driver and cap off the two control wires and connect the hot/neutral and ground as normal.

5) Mounting: The unit is suspended from the ceiling by means of an aircraft cable. Mounting canopy and aircraft cable are ordered separately. The feed wire is threaded through the canopy.

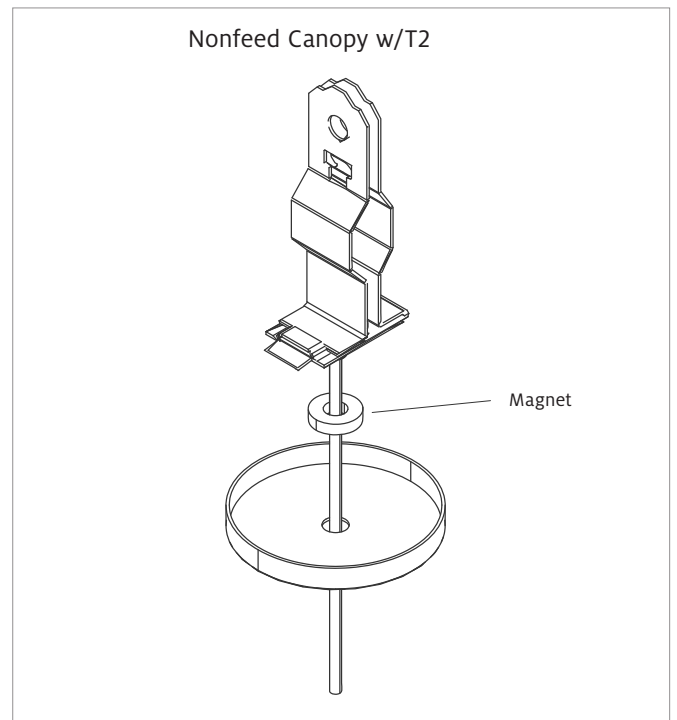
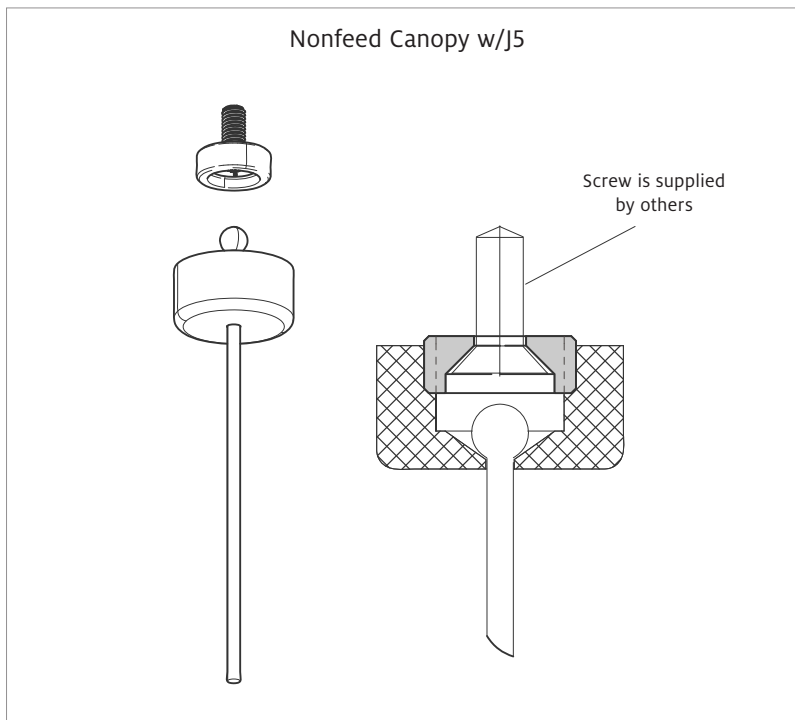
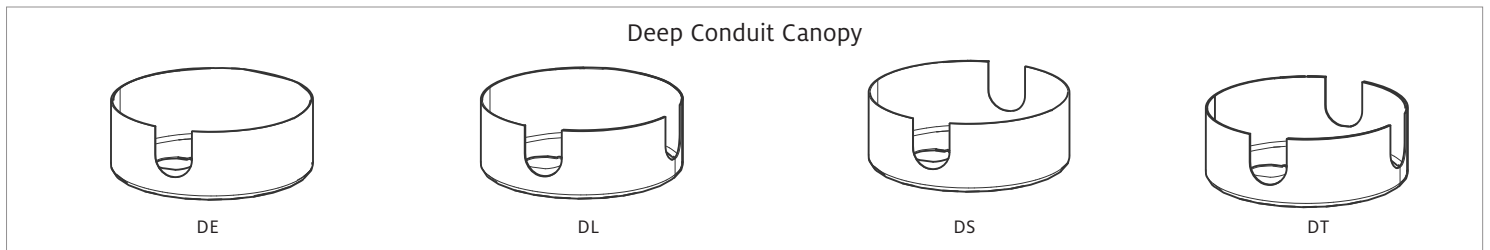
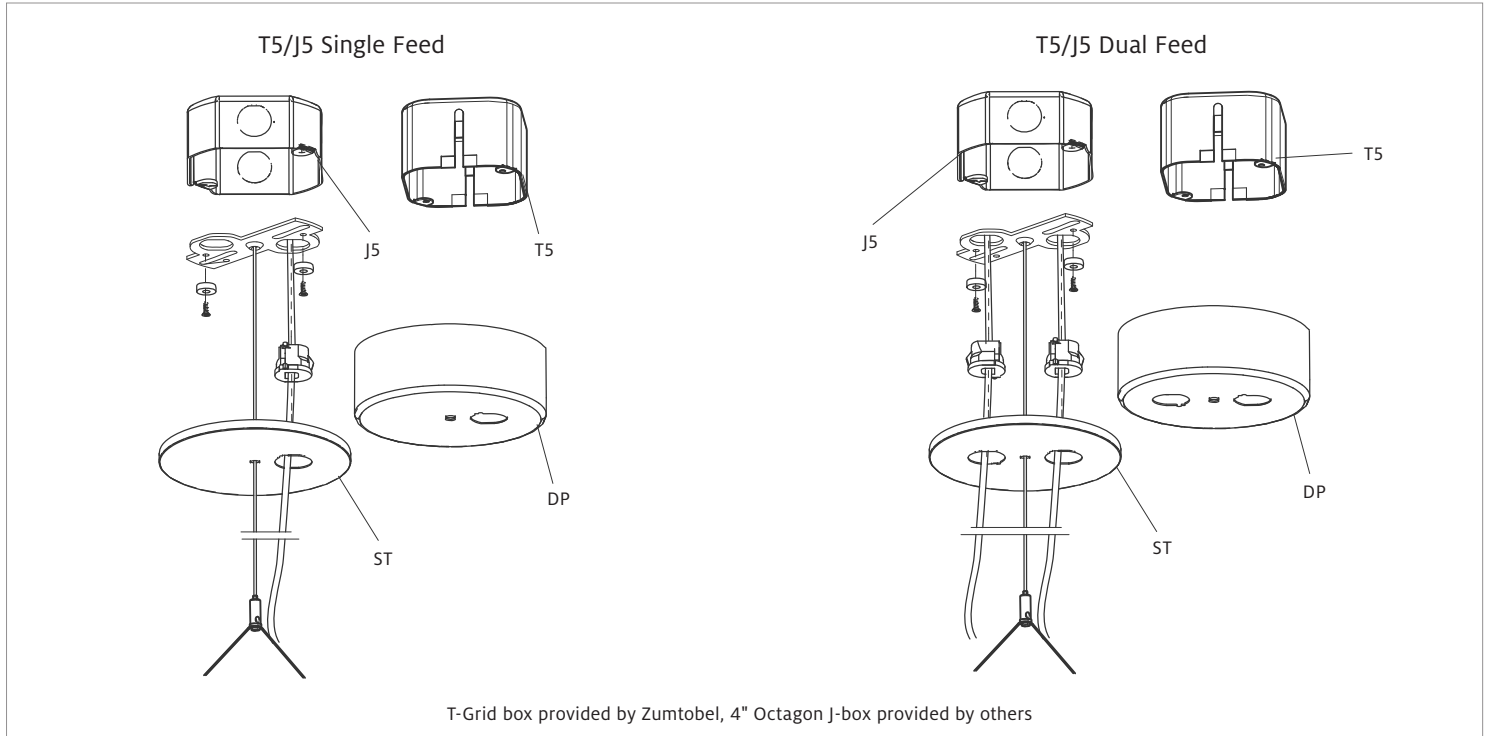
6) Life: 50,000 hours rated life. L90.

7) Standby Battery Pack: Iota CP07, 7 W, 1000 lm.

8) Weight: 22 lbs with EM.

9) Feed Cord: Color of cord is WHITE, other options available, please contact factory for any modifications required

Pendant Suspensions



We reserve the right to change, without notice, specifications or materials. Supporting documentation found on zumtobel.us are the most recent versions and supersede all other versions that exist in any other printed or electronic form.