

THORN

LIGHTING

EROA

HOW TO SPEC GUIDE



EROA SI

HOW TO SPECIFY GUIDE

1. MOUNTING

Cable retention clips are supplied as standard with Eroa Si:

- 600mm (23.6") Blade Si: 1 x cable retention clip
- 900mm (35.4") Blade Si: 2 x cable retention clips
- 1200mm (47.2") Blade Si: 3 x cable retention clips

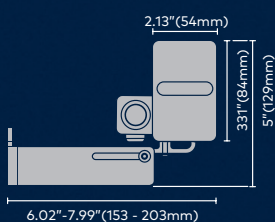
PLEASE ORDER EROA MOUNTING BRACKETS SEPARATELY TO SUIT YOUR APPLICATION.

1 x set of 2 brackets required for each Eroa Si luminaire.

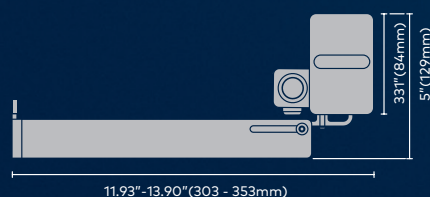
STANDARD BRACKETS EROA Si	CODE	DESCRIPTION
Standard bracket 15 degree tilt. Silver. Set of 2.	21100322	EL SI SX STD BRACKET 2053/SI
Standard bracket 15 degree tilt. Black. Set of 2.	21100323	EL SI SX STD BRACKET 2053/BK

ADJUSTABLE BRACKETS EROA Si	CODE	DESCRIPTION
Surface mount bracket fully adjustable. Silver. Set of 2.	21100324	EL SI SX SURFACE BRACKET 2054/SI
Surface mount bracket fully adjustable. Black. Set of 2.	21100325	EL SI SX SURFACE BRACKET 2054/BK

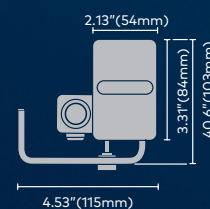
LONG ARM BRACKETS EROA Si	CODE	DESCRIPTION
150mm fully adjustable bracket. Silver. Set of 2.	21100326	EL SI SX LONG ARM 150MM 2055/SI
150mm fully adjustable bracket. Black. Set of 2.	21100327	EL SI SX LONG ARM 150MM 2055/BK
300mm fully adjustable bracket. Silver. Set of 2.	21100328	EL SI SX LONG ARM 300MM 2056/SI
300mm fully adjustable bracket. Black. Set of 2.	21100329	EL SI SX LONG ARM 300MM 2056/BK



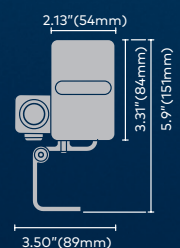
Eroa Si
Long arm bracket
5.91" (150mm)



Eroa Si
Long arm bracket
11.81" (300mm)



Eroa Si
Standard
bracket



Eroa Si
Adjustable
bracket

EROA Si

HOW TO SPECIFY GUIDE

All electrical cabling required must be ordered separately to the Eroa luminaires to suit the application.

Eroa Si is designed with ease of installation in mind, via a plug and play connector solution.

2. STARTER LEAD KIT

Eroa Si requires a starter lead to connect 120/277V power supply into the luminaire's on-board driver.

A starter lead is required for both single luminaire installations and as the start of a linear run of several Eroa Si luminaires. Starter lead kits include end of run protection cap to seal luminaire connector at the end of the linear run.

STARTER KIT EROA Si

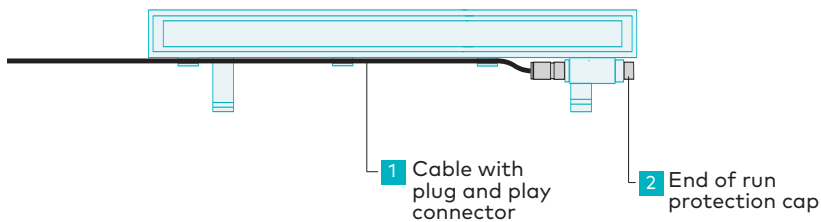
Cable with plug & play connector and end of run protection cap. 2m or 10m cable.
HF (Switched) = 3 pole, 0-10V = 5 pole, DMX = 6 pole

CODE	DESCRIPTION
21100491	ELSTARTERKIT2061A/2MULHF
21100492	ELSTARTERKIT2062A/2MULO-10V
21100493	ELSTARTERKIT2063A/2MULDMX
21100494	ELSTARTERKIT2061A/10MULHF
21100495	ELSTARTERKIT2062A/10MULO-10V
21100496	ELSTARTERKIT2063A/10MULDMX



EROA Si - top view

Power
120/277V



EROA Si

HOW TO SPECIFY GUIDE

3. LINK LEAD

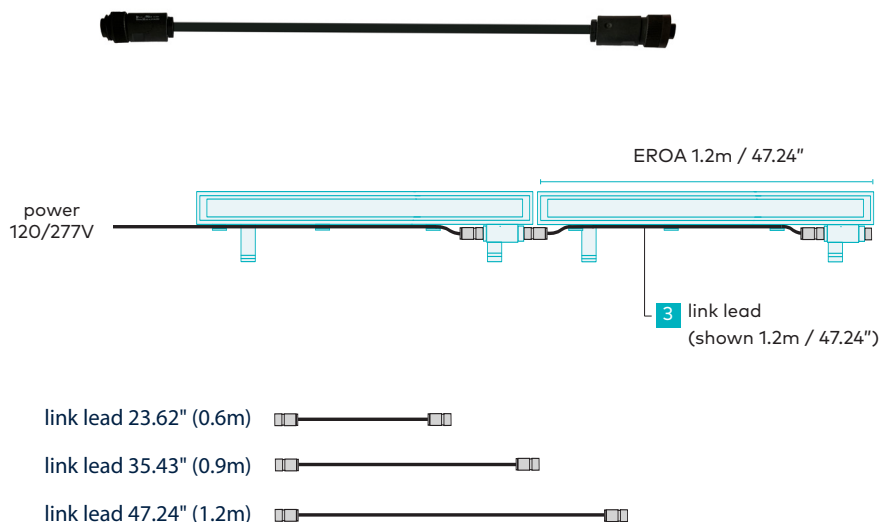
When installing a linear run of Eroa Si luminaires from a single power feed, link leads are required to connect power to each luminaire.

If application requires products to be installed end to end in a continuous run, the link lead specified should match the length of the luminaires used.

LINK LEAD EROA Si

Plug and play connector on each end of cable.
25.59" (650mm), 37.40" (950mm) and
49.21" (1250mm) link cables.
HF (Switched) = 3 pole, 0-10V = 5 pole, DMX = 6 pole.

CODE	DESCRIPTION
21100497	EL LINK 2067A/0.6M UL HF
21100498	EL LINK 2067A/0.9M UL HF
21100499	EL LINK 2067A/1.2M UL HF
21100500	EL LINK 2068A/0.6M UL 0-10V
21100501	EL LINK 2068A/0.9M UL 0-10V
21100502	EL LINK 2068A/1.2M UL 0-10V
21100503	EL LINK 2069A/0.6M UL DMX
21100504	EL LINK 2069A/0.9M UL DMX
21100505	EL LINK 2069A/1.2M UL DMX



EROA Si

HOW TO SPECIFY GUIDE

If application requires products to be installed with a gap in between luminaires, please specify link lead longer than the length of luminaires installed or connector kit + flex reel to customize link lead lengths on site to suit specific demands of your installation.
 Connector kit to include male and female pair.

CONNECTOR KIT - EROA Si

Connector kit for making custom leads in the field.

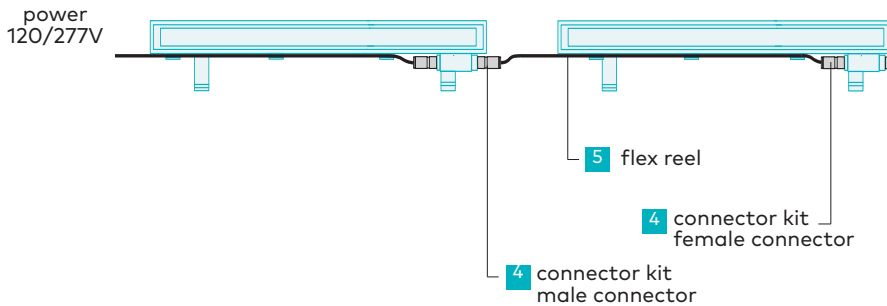
CODE	DESCRIPTION
21100506	EROA CONNECTOR KIT UL 2087A



FLEX REEL - EROA Si / LRI

20M Flex Reel. HF (Switched) = 3 pole 0-10V = 5 pole DMX = 6 pole. 1x Through Wire Connector.

CODE	DESCRIPTION
21100319	EL LRI FLEX REEL 2065/20M HF
21100320	EL LRI FLEX REEL 2064/20M 0-10V
21100321	EL LRI FLEX REEL 2066/20M DMX



4. WIRING INFORMATION

Number of fittings that can be powered from a starter lead.

MAXIMUM NO. OF 4FT FITTINGS PER SUPPLY LEAD

Switched AND 0-10V single COLOR	10
Single COLOR DMX and all RGBW (0-10V and DMX)	7

EROA LRI

HOW TO SPECIFY GUIDE

1. MOUNTING

Ground sleeve mounting and associated end caps must be ordered separately to suit the demands of the application.

i. IN-GROUND SLEEVE

Every Eroa LRI luminaire requires an in-ground mounting sleeve, which is supplied as standard with detail to allow for drainage.

Select the in-ground mounting sleeve to match the length of the Eroa LRI luminaire.

Sleeves are available in 600mm (23.6"), 900mm (35.4"), 1200mm (47.2") and 2400mm (94.4") lengths.

CODE	DESCRIPTION
21100330	EL LRI GROUND SLEEVE 2060/600
21100331	EL LRI GROUND SLEEVE 2060/900
21100332	EL LRI GROUND SLEEVE 2060/1200
21100333	EL LRI GROUND SLEEVE 2060/2400

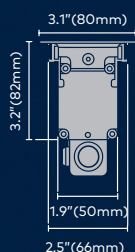
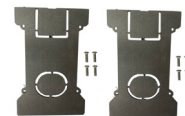


ii. SLEEVE END CAPS

Every Eroa LRI ground sleeve must be ordered with mounting sleeve end caps.

Each mounting sleeve end cap includes an optional knock-out as standard to allow for cables to pass through where required.

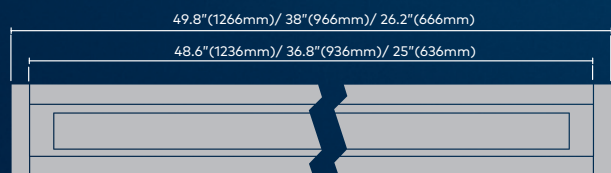
SLEEVE END CAPS - EROA LRI	CODE	DESCRIPTION
End caps for sleeve x2	21100334	EL LRI SLEEVE END CAP KIT 2059



Eroa LRI



Eroa LRI
In-ground sleeve



0.59" (15mm)



Eroa LRI
Standard end cap flange

1.1" (30mm)



Eroa LRI
Secure end cap flange

EROA LRI

HOW TO SPECIFY GUIDE

ii. FLANGE END CAPS

Every Eroa LRI installation requires flange end caps to finish both ends of a linear run.

If linear run includes 1 x Eroa LRI luminaire, 1 x 21100335 flange end cap kit silver or 1 x 21100336 flange end cap kit black is required.

If linear run includes several Eroa LRI luminaire, 1 x 21100335 flange end cap kit silver or 1 x 21100336 flange end cap kit black is required.

FLANGED END CAPS - EROA LRI	CODE	DESCRIPTION
Standard flanged end caps x2. Silver	21100335	EL LRI FLANGED END CAP 2070/AS
Standard flanged end caps x2. Black	21100336	EL LRI FLANGED END CAP 2070/BK



Optional below

If security of the installation in the application is required, please specify anti-tamper end caps which lock the luminaire in position and can only be removed with the use of tools.

ANTI-TAMPER SECURE END CAPS - EROA LRI	CODE	DESCRIPTION
Secure end caps x2. Silver	21100337	EL LRI SECURE END CAP 2071/AS
Secure end caps x2. Black	21100338	EL LRI SECURE END CAP 2071/BK



If security of the installation in the application is required, and the installation includes several Eroa LRI in a continuous linear run, please specify anti-tamper joining kit to install at each luminaire join which locks the luminaire in position and can only be removed with the use of tools.

ANTI TAMPER JOINING KIT - EROA LRI	CODE	DESCRIPTION
Used in between EROA LRI.	21100339	EL LRI JOINING KIT 2072



EROA LRi

HOW TO SPECIFY GUIDE

ALL ELECTRICAL CABLING REQUIRED MUST BE ORDERED SEPARATELY TO THE EROA LUMINARIES TO SUIT THE APPLICATION.

Eroa LRi is designed with ease of installation in mind, via a plug and play connector solution.

2. STARTER LEAD KIT

Eroa LRi requires a starter lead to connect 120/277V power supply into the luminaire's on-board driver.

A starter lead is required for both single luminaire installations and as the start of a linear run of several Eroa LRi luminaires

Starter lead kits, include end of run protection cap to seal luminaire connector at the end of the linear run.

STARTER KIT EROA LRi

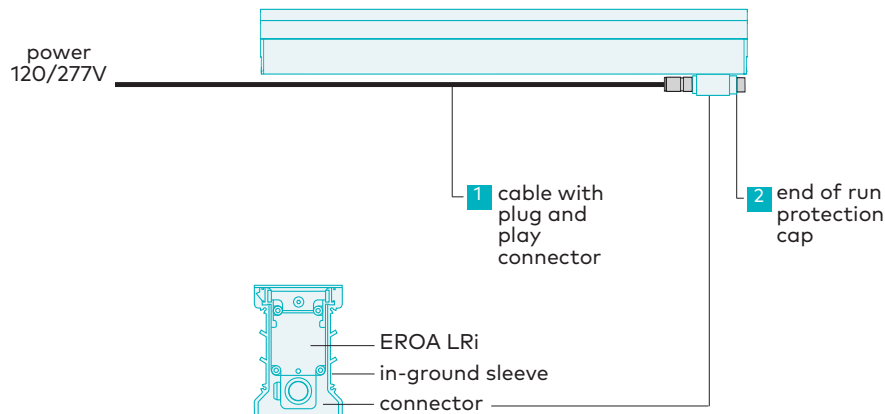
Cable with plug & play connector and end of run protection cap. 2m (78.74") or 10m (393.7") cable HF (Switched) = 3 pole 0-10V = 5 pole DMX = 6 pole.



CODE

DESCRIPTION

21100491	EL STARTER 2061A/2M UL HF
21100492	EL STARTER 2062A/2M UL 0-10V
21100493	EL STARTER 2063A/2M UL DMX
21100494	EL STARTER 2061A/10M UL HF
21100495	EL STARTER 2062A/10M UL 0-10V
21100496	EL STARTER 2063A/10M UL DMX



EROA LRI

HOW TO SPECIFY GUIDE

3. LINK LEAD

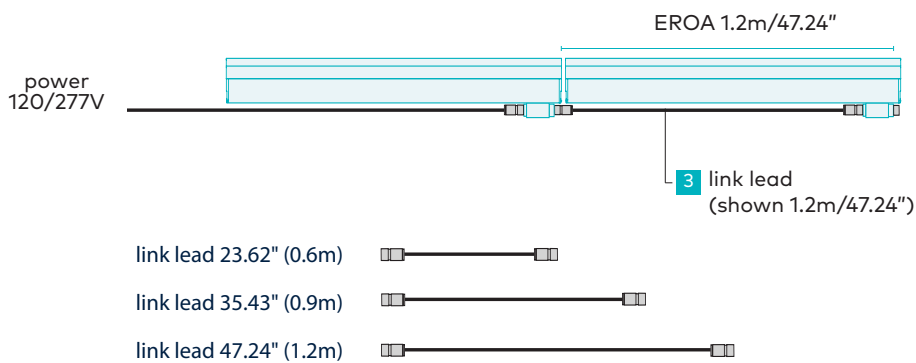
When installing a linear run of EROA LRI luminaires from a single power feed, link leads are required to connect power to each luminaire.

If application requires products to be installed end to end in a continuous run, the link lead specified should match the length of the luminaires used.

LINK LEAD EROA LRI

Plug and play connector on each end of cable.
25.59" (650mm), 37.40" (950mm) and 49.21" (1250mm)
link cables.
HF (Switched) = 3 pole 0-10V = 5 pole DMX = 6 pole.

CODE	DESCRIPTION
21100497	EL LINK 2067A/0.6M UL HF
21100498	EL LINK 2067A/0.9M UL HF
21100499	EL LINK 2067A/1.2M UL HF
21100500	EL LINK 2068A/0.6M UL 0-10V
21100501	EL LINK 2068A/0.9M UL 0-10V
21100502	EL LINK 2068A/1.2M UL 0-10V
21100503	EL LINK 2069A/0.6M UL DMX
21100504	EL LINK 2069A/0.9M UL DMX
21100505	EL LINK 2069A/1.2M UL DMX



EROA LRI

HOW TO SPECIFY GUIDE

If application requires products to be installed with a gap in between luminaires, please specify link lead longer than the length of luminaires installed or connector kit + flex reel to customize link lead lengths on site to suit specific demands of your installation.

CONNECTOR KIT - EROA LRI

Connector kit for making custom leads in the field.

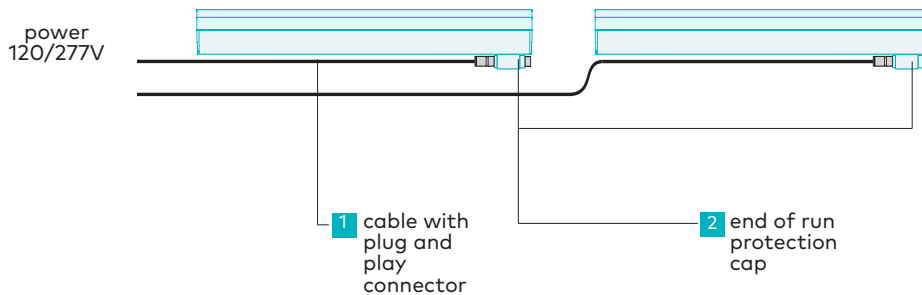
CODE	DESCRIPTION
21100506	EROA CONNECTOR KIT UL 2087A



FLEX REEL - EROA Si / LRI

20M Flex Reel. HF (Switched) = 3 pole 0=10V = 5 pole DMX = 6 pole.
1x Through Wire Connector.

CODE	DESCRIPTION
21100319	EL LRI FLEX REEL 2065/20M HF
21100320	EL LRI FLEX REEL 2064/20M 0-10V
21100321	EL LRI FLEX REEL 2066/20M DMX



4. WIRING INFORMATION

Number of fittings that can be powered from a starter lead.

MAXIMUM NO. OF 4FT FITTINGS PER SUPPLY LEAD

Switched AND 0-10V single COLOR	10
Single COLOR DMX and all RGBW (0-10V and DMX)	7



BUILD YOUR PRODUCT

EROA SI

Example spec code: ER SI L06 2400-827 N BK CW STD 66 HF
 Description: EROA Si, 636mm, 2400lm, 2700K, Narrow optic, Black finish, Cowl accessory, Standard bracket, IP66, Switched.

LENGTH/LUMEN

636MM/EB	L06 2400
636MM/SB	L06 900
936MM/EB	L09 3800
936MM/SB	L09 1400
1236MM/EB	L12 5000
1236MM/SB	L12 1900

CRI AND COLOR TEMP

80CRI 2700K	-827
80CRI 3000K	-830
80CRI 4000K	-840
RGBW	-RGBW

OPTIC

Narrow	N
Medium	M
Wide Flood	WF

FINISH

Black	BK
Silver	SI

GLARE CONTROL

Cross Anti Glare Film	CF
Linear Anti Glare Film	LF
Cowl	CW

BRACKET

Adjustable Bracket	AJ
Standard Bracket	STD
Long Arm 150mm	LA01
Long Arm 300mm	LA03

IP RATING

IP66	66
------	----

DIMMING*

Switched	HFUL
0-10V	HFAUL
DMX	DMXUL

*Dimming: all drivers options are universal voltage 120/277.

Accessory Optic Comptability

	CF	LF	CW
N	✓	✓	✓
M	✓	✓	✓
WF	✓	✓	✓

Control Method Option

	SWITCHED		0-10 V		DMX	
	SB	EB	SB	EB	SB	EB
2700K	✓	✓	-	✓	-	✓
3000K	✓	✓	-	✓	-	✓
4000K	✓	✓	-	✓	-	✓
RGBW	-	-	-	✓	-	✓

Driver Type

	SWITCHED	0-10 V	DMX
300	INT	INT (SC) REM (RGBW)	REM
600	INT	INT	INT
900	INT	INT	INT
1200	INT	INT	INT

CF Cross anti glare film
LF Linear anti glare film
CW Cowl

SB Standard bright
EB Extra bright

INT Integral driver

For further information and installation details

BUILD YOUR PRODUCT

EROA LRI

Example spec code: ER LRI L06 2400-827 N AS LO 0 67 HF
 Description: EROA LRI 636mm, 2400lm, 2700K, Narrow optic,
 Anodized silver, Micro Louver, 0 degree tilt, IP67, switched.

LENGTH/LUMEN

636MM/EB	L06 2400
636MM/SB	L06 900
936MM/EB	L09 3800
936MM/SB	L09 1400
1236MM/EB	L12 5000
1236MM/SB	L12 1900

CRI AND COLOR TEMP

80CRI 2700K	-827
80CRI 3000K	-830
80CRI 4000K	-840
RGBW	-RGBW

OPTIC

Narrow	N
Medium	M
Wide Flood	WF

FINISH

Anodized Black	ABK
Anodized Silver	AS

GLARE CONTROL

Cross Anti Glare Film	CF
Cross Anti Glare & Micro Louver	CM
Linear Anti Glare Film	LF
Micro Louver	LO

TILT

0 degree	0
5 degree	5

IP RATING

IP67	67
------	----

DIMMING*

Switched	HFUL
0-10V	HFAUL
DMX	DMXUL

*Dimming: all drivers options are universal voltage 120/277.

Accessory Optic Compatibility

	CF	LF	LO	CM
N	✓	✓	✓	✓
M	✓	✓	✓	✓
WF	✓	✓	✓	✓

Control Method Option

	SWITCHED		0-10 V		DMX	
	SB	EB	SB	EB	SB	EB
2700K	✓	✓	-	✓	-	✓
3000K	✓	✓	-	✓	-	✓
4000K	✓	✓	-	✓	-	✓
RGBW	-	-	-	✓	-	✓

Driver Type

	SWITCHED	0-10 V	DMX
	INT	INT (SC)	REM
300	INT	INT (SC)	REM (RGBW)
500	INT	INT	INT
900	INT	INT	INT
1200	INT	INT	INT

CF Cross anti glare film
LF Linear anti glare film
LO Micro louver
CM Cross anti glare + Micro louver

SB Standard bright
EB Extra bright

INT Integral driver



**5 YEAR
GUARANTEE**

As a globally leading luminaire manufacturer, Thorn Lighting provides a five-year warranty. <https://zumtobel.us/terms/>

Thorn Lighting is constantly developing and improving its products. All descriptions, illustrations, drawings and specifications in this publication present only general particulars and shall not form part of any contract. The right is reserved to change specifications without prior notification or public announcement. All goods supplied by the company are supplied subject to the company's General Conditions of Sale, a copy of which is available on request. All measurements are in millimetres and weights in kilograms unless otherwise stated. 07/2023 (INT)

**WE
MAKE
LIGHT
WORK**