

2.5" Pendant / Wall Mount

LOUVER OPTIC OPTIONS

SLOTLIGHT LED III

2.5" Individual Luminaires and Straight Runs

- Continuous line of light
- Available in a variety of lengths to suit any application
- Available with occupancy and daylight sensors
- UGR <16 with specific louver options

IBEW UNION MADE

PROGRAMMABLE LM/FT RANGES *

| OPTIC | 3000 K | | 3500 K | | 4000 K | |
|---------------------|--------|------|--------|------|--------|------|
| | MIN | MAX | MIN | MAX | MIN | MAX |
| Matte Black Louver | 183 | 443 | 187 | 454 | 190 | 461 |
| Gloss Black Louver | 177 | 430 | 182 | 441 | 184 | 448 |
| Silver Louver | 314 | 761 | 321 | 780 | 326 | 792 |
| White Louver | 429 | 1042 | 440 | 1067 | 447 | 1084 |
| Indirect Batwing | 411 | 1120 | 421 | 1147 | 427 | 1155 |
| Indirect Asymmetric | 135 | 734 | 138 | 752 | 139 | 760 |

* Exact programming levels available as a modification.



Suitable for Damp Locations

Order Code

| | | | | | | | | | | | | | | | | | |
|----|----------------------------------|---|---|---|---|---|---|---|---|----|----|----|----|----|----|----|----|
| 1 | 2 | 3 | 4 | 5 | 6 | 7 | 8 | 9 | 9 | 11 | 12 | 13 | 14 | 15 | 16 | 17 | 18 |
| 1 | FIXTURE | SL3I Individual ¹ SL3R Run ² | | | | | | | | | | | | | | | |
| 2 | WIDTH | 2 2.5" | | | | | | | | | | | | | | | |
| 3 | MOUNTING | PA Pendant 70" Feed PB Pendant 157" Feed WM Wall Mount | | | | | | | | | | | | | | | |
| 4 | WHOLE LENGTH | XXXFT Length in 1' Increments (minimum length 4') | | | | | | | | | | | | | | | |
| 5 | DISTRIBUTION | D Direct Only I Indirect Only C Single Channel Direct/Indirect S Separate Switching Direct/Indirect | | | | | | | | | | | | | | | |
| 6 | DIRECT OUTPUT | 08 800 lm/ft 07 700 lm/ft 06 600 lm/ft 05 500 lm/ft 04 400 lm/ft 00 No Output | | | | | | | | | | | | | | | |
| 7 | DIRECT OPTIC | W Matte White Louver ³ G Gloss Black Louver ⁴ B Matte Black Louver ⁴ S Matte Silver Louver ⁵ N None | | | | | | | | | | | | | | | |
| 8 | INDIRECT OUTPUT | 10 1000 lm/ft 09 900 lm/ft 08 800 lm/ft 07 700 lm/ft 06 600 lm/ft 05 500 lm/ft 04 400 lm/ft 00 No Output | | | | | | | | | | | | | | | |
| 9 | INDIRECT OPTIC | B Batwing A Asymmetric ⁶ N None | | | | | | | | | | | | | | | |
| 10 | CRI | 9 90 CRI | | | | | | | | | | | | | | | |
| 11 | CCT | 30 3000 K 35 3500 K 40 4000 K | | | | | | | | | | | | | | | |
| 12 | DRIVER | U 0-10 V, 1%, 120 V / 277 V D DALI-2, 1%, 120 V / 277 V H Lutron EcoSystem, 1%, 120 V / 277 V C 0-10 V, 1%, 347 V | | | | | | | | | | | | | | | |
| 13 | HOUSING FINISH / FEED CORD COLOR | A Black Housing-Black Cord B Black Housing-White Cord C White Housing-Black Cord W White Housing-White Cord S Silver Housing-White Cord F Silver Housing-Black Cord | | | | | | | | | | | | | | | |
| 14 | CONTROL OPTIONS | N None W Wireless ⁷ R Athena Wireless Node RF ⁸ S Athena Wireless Node with Sensor ⁸ | | | | | | | | | | | | | | | |
| 15 | ACCESSORIES * | C EM Circuit ⁹ B Battery ¹⁰ | | | | | | | | | | | | | | | |
| 16 | EM START | 1 Start EM 0 None | | | | | | | | | | | | | | | |
| 17 | EM MID | X Quantity from 1 to 9 0 None | | | | | | | | | | | | | | | |
| 18 | EM END | 1 End EM 0 None | | | | | | | | | | | | | | | |

* COMPLETE 15-18 IF EMERGENCY OPTIONS ARE REQUIRED

- 1 Must be between 2' and 8' in length. Direct/Indirect minimum individual unit length is 48".
- 2 Minimum length is 9'.
- 3 Matte White Louver is only available with 800 lm/ft, 700 lm/ft and 600 lm/ft packages.
- 4 Matte and Gloss Black Louvers are only available with 400 lm/ft package.
- 5 Matte Silver Louver is only available with 600 lm/ft, 500 lm/ft and 400 lm/ft packages.
- 6 Asymmetric Optic available with 700 lm/ft maximum.
- 7 Only available with V dimming.
- 8 Must be ordered with DALI-2 driver. Lutron node and sensor are remote mounted only, if required within luminaire please contact factory.
- 9 Add EM circuit option when designating only a portion of a continuous run is to be circuited for emergency. If an entire run or entire fixture is EM then this option is provided as standard.
- 10 EM battery available in minimum 8' length with Direct/Indirect option. EM battery available in 4' length with Direct only or Indirect only options. EM is not available with 347V driver option.

We reserve the right to change, without notice, specifications or materials. Supporting documentation found on zumtobel.us are the most recent versions and supersede all other versions that exist in any other printed or electronic form.

| | | | | |
|-------------------------------|---------------------------------------|-----------------------------|---------------------------|----------|
| Zumtobel Lighting, Inc. ©2025 | 3300 Route 9W, Highland NY 12528-2630 | 845-691-6262 800-448-4131 | info.us@zumtobelgroup.com | 082025_F |
|-------------------------------|---------------------------------------|-----------------------------|---------------------------|----------|



LOUVER OPTIC OPTIONS
SLOTLIGHT LED III
 2.5" Configurations with Corners

IBEW UNION MADE

- Continuous line of light
- Available in a variety of lengths to suit any application
- Available with occupancy and daylight sensors
- UGR <16 with specific louver options



Order Code

| | | | | | | | | | | | | | | | | | | | |
|-------------------------------------|---|---|---|---|---|---|---|---|----|----------|----|----|----|----|----|----|----|----|--|
| SL3C | 2 | 3 | 4 | 5 | 6 | 7 | 8 | 9 | 10 | 9 | 12 | 13 | 14 | 15 | 16 | 17 | 18 | 19 | |
| 1 FIXTURE | SL3C Configurations | | | | | | | | | | | | | | | | | | |
| 2 WIDTH | 2 2.5" | | | | | | | | | | | | | | | | | | |
| 3 MOUNTING | PA Pendant 70" Feed PB Pendant 157" Feed WM Wall Mount | | | | | | | | | | | | | | | | | | |
| 4 WHOLE LENGTH | XXXFT Length in 1' Increments | | | | | | | | | | | | | | | | | | |
| 5 TYPE | L 1 Corner U 2 Corners R Rectangle S Square Z Custom | | | | | | | | | | | | | | | | | | |
| 6 DISTRIBUTION | D Direct Only I Indirect Only C Single Channel Direct/Indirect S Separate Switching Direct/Indirect | | | | | | | | | | | | | | | | | | |
| 7 DIRECT OUTPUT | 08 800 lm/ft 07 700 lm/ft 06 600 lm/ft 05 500 lm/ft 04 400 lm/ft 00 No Output | | | | | | | | | | | | | | | | | | |
| 8 DIRECT OPTIC | W Matte White Louver ¹ G Gloss Black Louver ² B Matte Black Louver ² S Matte Silver Louver ³ N None | | | | | | | | | | | | | | | | | | |
| 9 INDIRECT OUTPUT | 10 1000 lm/ft 09 900 lm/ft 08 800 lm/ft 07 700 lm/ft 06 600 lm/ft 05 500 lm/ft 04 400 lm/ft 00 No Output | | | | | | | | | | | | | | | | | | |
| 10 INDIRECT OPTIC | B Batwing A Asymmetric ⁴ N None | | | | | | | | | | | | | | | | | | |
| 11 CRI | 9 90 CRI | | | | | | | | | | | | | | | | | | |
| 12 CCT | 30 3000 K 35 3500 K 40 4000 K | | | | | | | | | | | | | | | | | | |
| 13 DRIVER | U 0-10 V, 1%, 120 V / 277 V D DALI-2, 1%, 120 V / 277 V H Lutron EcoSystem, 1%, 120 V / 277 V C 0-10 V, 1%, 347 V | | | | | | | | | | | | | | | | | | |
| 14 HOUSING FINISH / FEED CORD COLOR | A Black Housing-Black Cord B Black Housing-White Cord C White Housing-Black Cord W White Housing-White Cord S Silver Housing-White Cord F Silver Housing-Black Cord | | | | | | | | | | | | | | | | | | |
| 15 CONTROL OPTIONS | N None W Wireless ⁵ R Athena Wireless Node RF ⁶ S Athena Wireless Node with Sensor ⁶ | | | | | | | | | | | | | | | | | | |
| 16 ACCESSORIES * | C EM Circuit ⁷ B Battery ⁸ | | | | | | | | | | | | | | | | | | |
| 17 EM START | 1 Start EM 0 None | | | | | | | | | | | | | | | | | | |
| 18 EM MID | X Quantity from 1 to 9 0 None | | | | | | | | | | | | | | | | | | |
| 19 EM END | 1 End EM 0 None | | | | | | | | | | | | | | | | | | |

* COMPLETE 16-17 IF EMERGENCY OPTIONS ARE REQUIRED.

- 1 Matte White Louver is only available with 800 lm/ft, 700 lm/ft and 600 lm/ft packages.
- 2 Matte and Gloss Black Louvers are only available with 400 lm/ft package.
- 3 Matte Silver Louver is only available with 600 lm/ft, 500 lm/ft and 400 lm/ft packages.
- 4 Asymmetric Optic available with 700 lm/ft maximum.
- 5 Only available with 0-10V dimming.
- 6 Must be ordered with DALI-2 driver. Lutron node and sensor are remote mounted only, if required within luminaire please contact factory.
- 7 Add EM circuit option when designating only a portion of a continuous run is to be circuited for emergency. If an entire run or entire fixture is EM then this option is provided as standard.
- 8 EM battery available in minimum 8' length with Direct/Indirect option. EM battery available in 4' length with Direct only or Indirect only options. EM is not available with 347V driver option.

Feed Canopy Suspension Kit Order Code

| | | | | | |
|----------------|---|---|---|---|---|
| SUS | 2 | 3 | 4 | 5 | 6 |
| 1 SUSPENSION | SUS Suspension Kit | | | | |
| 2 MOUNTING | 070 70" Cable 157 157" Cable | | | | |
| 3 CANOPY TYPE | ST Standard DP Deep ¹ DE Deep Conduit End ¹ DL Deep Conduit 'L' ¹ DS Deep Conduit Straight ¹ DT Deep Conduit 'T' ¹ | | | | |
| 4 CANOPY | 1J5 Single Point J-Box 5" 1T5 Single Point T-Bar 5" | | | | |
| 5 FEED | SF Single Feed DF Dual Feed | | | | |
| 6 CANOPY COLOR | B Black S Silver W White | | | | |

1 Only available on J5 without EM

Non-Feed Canopy Suspension Kit Order Code

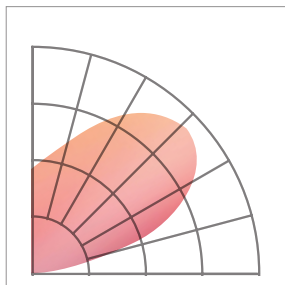
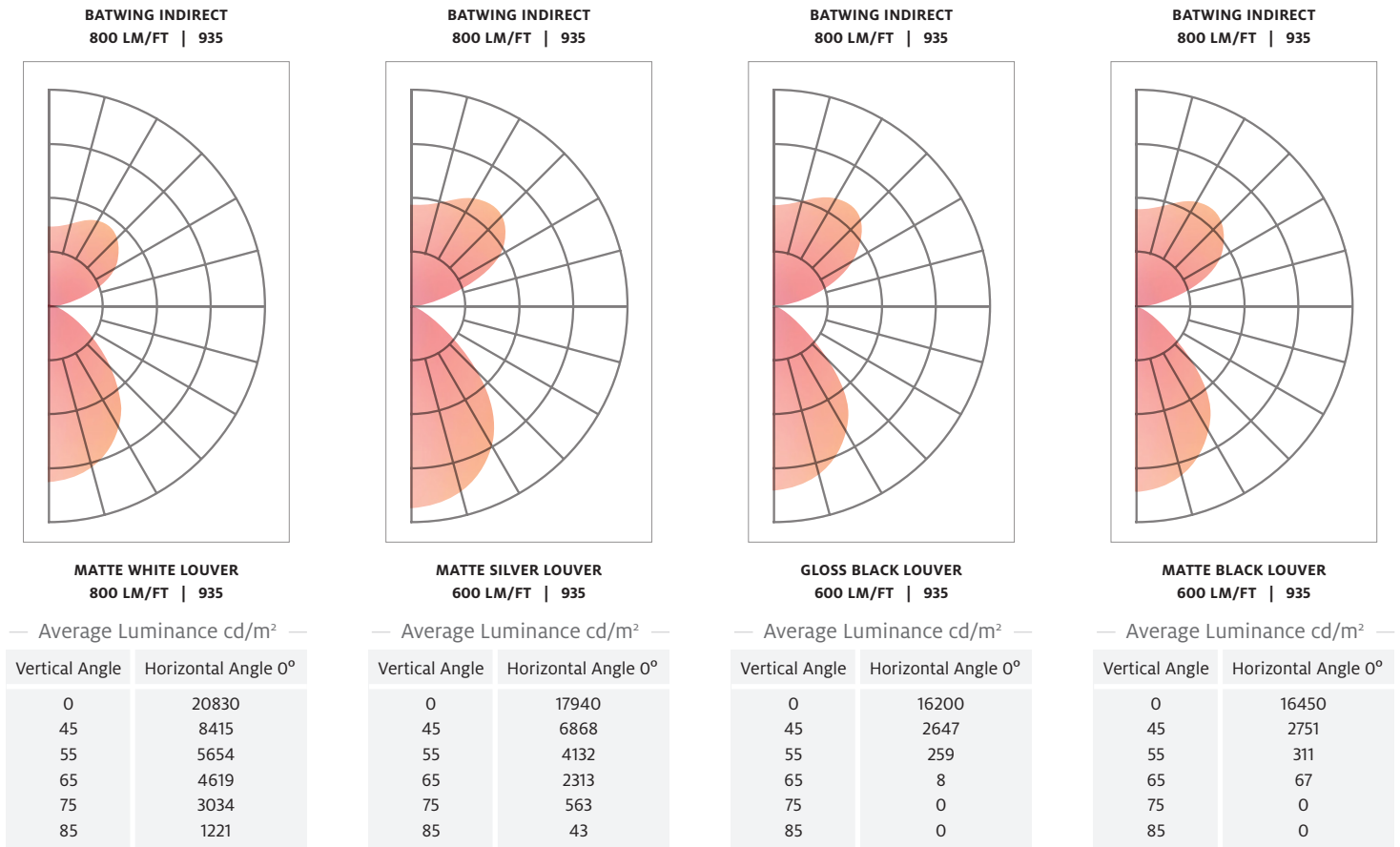
| | | | | | |
|----------------|--|-----------|---|-----------|---|
| SUS | 2 | ST | 4 | NF | 6 |
| 1 SUSPENSION | SUS Suspension Kit | | | | |
| 2 MOUNTING | 070 70" Cable 157 157" Cable | | | | |
| 3 CANOPY TYPE | ST Standard | | | | |
| 4 CANOPY | 1S1 Single Point Structure 1" ¹ 1T2 Single Point T-Grid 2" ² | | | | |
| 5 FEED | NF No Feed | | | | |
| 6 CANOPY COLOR | B Black S Silver W White | | | | |

1 Works with 1J5 Feed 2 Works with 1T5 Feed

Suspension kits must be ordered with and without Power Feeds. For example: an 8' individual pendant requires BOTH one suspension kit with a feed and one suspension kit without a feed.

We reserve the right to change, without notice, specifications or materials. Supporting documentation found on zumtobel.us are the most recent versions and supersede all other versions that exist in any other printed or electronic form.

Optical Performance



INDIRECT ASYMMETRIC OPTIC
800 LM/FT | 935

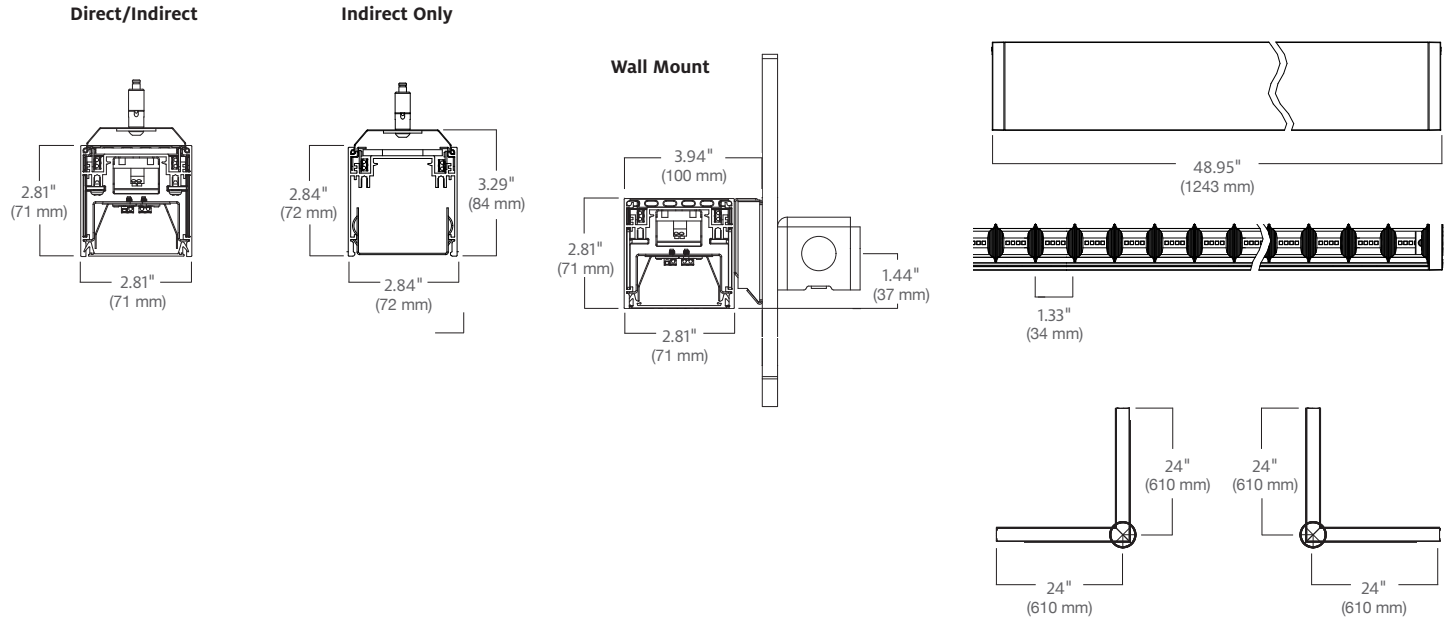
Lumens*

| | | DIRECT | | | | | | | INDIRECT | | | | | | | | | | | |
|--------|------|--------------------|-----|-----|--------------------|--------------------|---------------------|-----|----------|---------|-----|-----|-----|-----|-----|------------|-----|-----|-----|------|
| | | Matte White Louver | | | Matte Black Louver | Gloss Black Louver | Matte Silver Louver | | | Batwing | | | | | | Asymmetric | | | | |
| | | 600 | 700 | 800 | 400 | 400 | 400 | 500 | 600 | 400 | 500 | 600 | 700 | 800 | 900 | 1000 | 400 | 500 | 600 | 700 |
| 3000 K | LM/W | 94 | 93 | 92 | 59 | 37 | 69 | 68 | 67 | 103 | 102 | 101 | 100 | 98 | 97 | 96 | 66 | 65 | 64 | 62 |
| | W/ft | 6.4 | 7.5 | 8.7 | 10.4 | 10.7 | 5.8 | 7.3 | 8.9 | 3.9 | 4.9 | 6.0 | 7.0 | 8.1 | 9.3 | 10.4 | 6.1 | 7.7 | 9.4 | 11.2 |
| 3500 K | LM/W | 97 | 95 | 94 | 40 | 38 | 71 | 70 | 69 | 106 | 108 | 103 | 102 | 101 | 100 | 99 | 68 | 67 | 65 | 64 |
| | W/ft | 6.2 | 7.3 | 8.5 | 10.1 | 10.5 | 5.6 | 7.1 | 8.7 | 3.8 | 4.6 | 5.8 | 6.8 | 7.9 | 9.0 | 10.1 | 5.9 | 7.5 | 9.2 | 10.9 |
| 4000 K | LM/W | 98 | 97 | 96 | 40 | 39 | 72 | 71 | 70 | 107 | 106 | 105 | 103 | 102 | 101 | 100 | 68 | 67 | 66 | 65 |
| | W/ft | 6.1 | 7.2 | 8.3 | 9.9 | 10.3 | 5.5 | 7.0 | 8.5 | 3.7 | 4.7 | 5.7 | 6.8 | 7.8 | 8.9 | 10.0 | 5.8 | 7.4 | 9.1 | 10.8 |

* Exact programming levels available as a modification.

We reserve the right to change, without notice, specifications or materials. Supporting documentation found on zumtobel.us are the most recent versions and supersede all other versions that exist in any other printed or electronic form.

Dimensions



Technical Detail

1) Construction: The Luminaire consists of a painted aluminum housing and a choice of louver options. Louvers available in Matte White, Gloss Black, Matte Black and Matte Silver.

2) Wattage & CCT: Fixture is available in lumen packages of 1000 lm/ft (indirect only), 900 lm/ft, 800 lm/ft, 700 lm/ft, 600 lm/ft, 500 lm/ft and 400 lm/ft. Wattage is determined by lumen package and CCT chosen. Available in 3000 K, 3500 K or 4000 K color temperatures with 90+ CRI. 3-Step MacAdam Ellipse.

3) Drivers: The unit is available with standard 120 V / 277 V 0-10 V dimming driver (1%), 347 V 0-10 V dimming driver (1%), Lutron LDE1 Hi-lume 1% digital EcoSystem with SoftOn/ FadeToBlack, or DALI dimming driver (1%). For non-dimming applications a 0-10 V driver will be provided: cap off the two control wires and connect the hot/neutral and ground as normal. Wireless dimming is only available with all 0-10 V driver options. Wireless dimming is available through eldoLED BLE radio and controlled by 4remote BT app or Bluetooth switches.

4) Optic/Lens: The unit is available with choice of injection molded louvers for visual comfort. If UGR <16 is a project requirement please order the fixture with either black or silver louver options. White louvers do not meet the UGR requirements.

Asymmetric optic can be provided in either direction perpendicular to the length and

will be designated 'right' or 'left' based on power feed in. The factory will consult client for desired asymmetric optic direction.

5) Mounting: Suspension Kits include high strength galvanized steel aircraft cable 70" or 157" in length. Suspensions spacing is 8 feet on center maximum. Wall mount bracket provided, 8 feet on center typical.

6) Length: Individual fixtures and straight runs lengths can be ordered in exact length increments of 1' with a 4' minimum. Lengths of 8' and under are provided as individual fixtures. Lengths greater than 8' are provided as runs comprising of start, middle and end sections.

Configurations total length should be measured from the outside perimeter of the configuration to the nearest foot, Shop drawings with the exact configuration measurements will be provided with all configuration orders for approval.

7) Controls: All orders with a sensor chosen will be provided with drawings showing the exact sensor placement.

The Athena wireless node is a radio frequency (RF) device that enables simple, digital control of individual light fixtures in an Athena control system. The small size and compatibility with a wide variety of drivers allow for seamless integration.

The Athena wireless processor or Clear Connect gateway - Type X is required to operate an Athena wireless node in an Athena control system via a simple setup process using an iOS® or Android® compatible app. This enables these fixtures to be controllable by other Lutron wall controls, keypads, sensors, Pico remote controls, etc.

8) Emergency Options: Fixtures can be either purchased for emergency circuit or emergency battery operation. EM Battery fixtures are available as start, middle or end fixtures. The factory will consult with the client for EM placement on configurations. Average Lumen output for EM Battery is 600 Lumens.

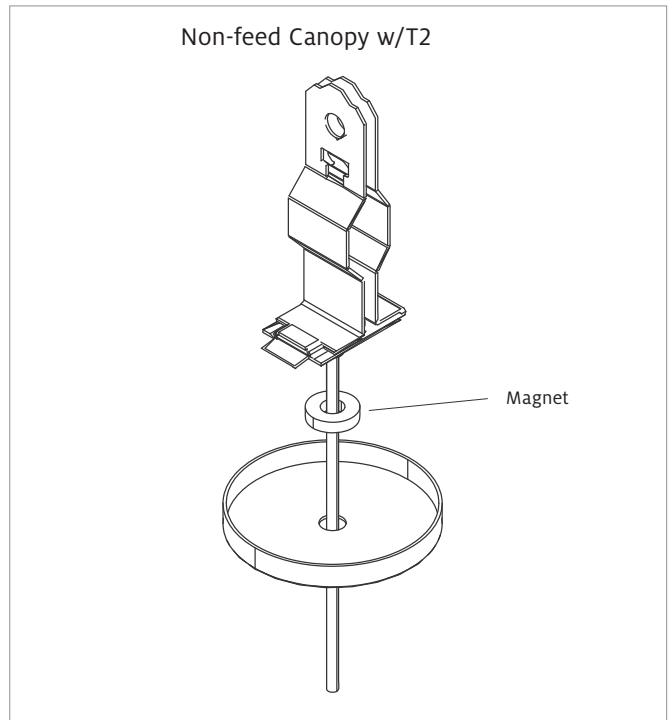
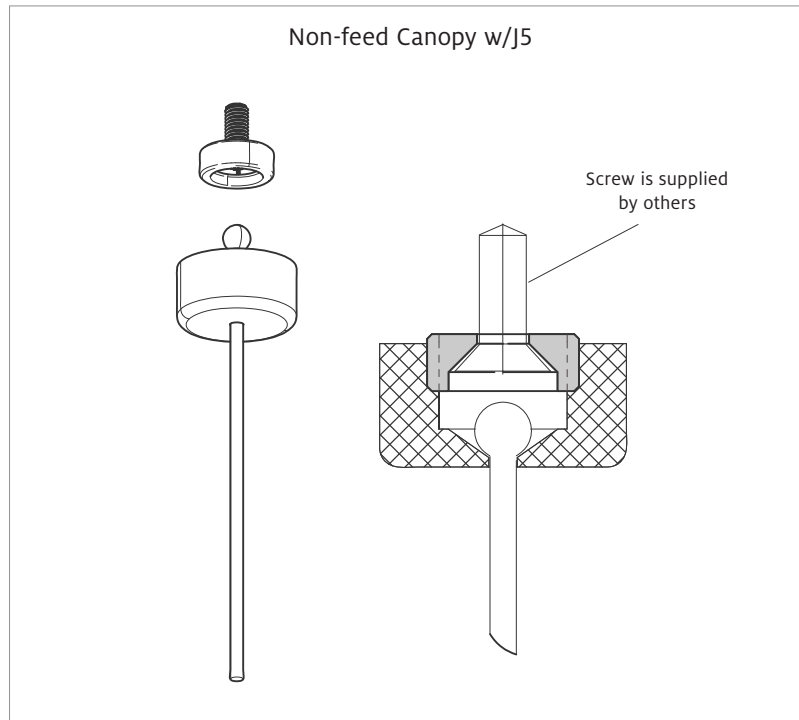
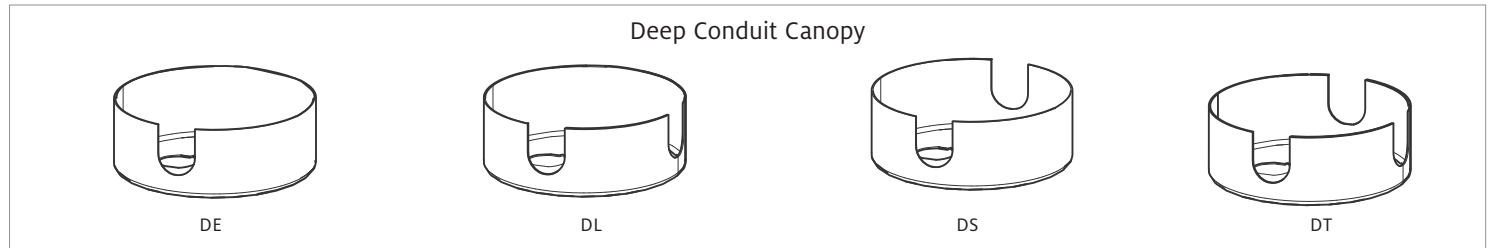
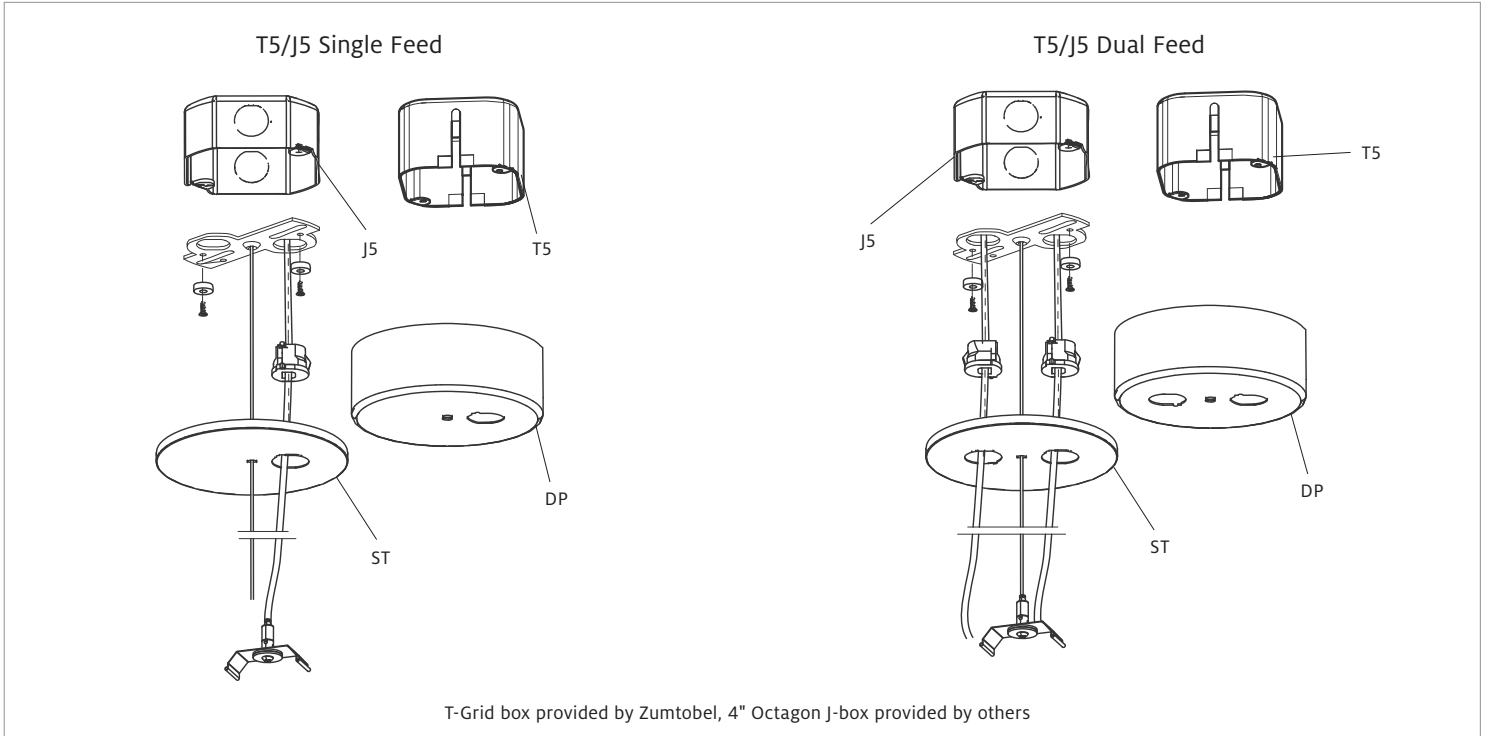
9) Life: 50,000 hours, L85.

10) Weight: 4 lbs per ft.

11) Declare Information:



Pendant Suspensions



We reserve the right to change, without notice, specifications or materials. Supporting documentation found on zumtobel.us are the most recent versions and supersede all other versions that exist in any other printed or electronic form.