



Square 3.5" (89mm)

PANOS

3.5" Square Downlight

- Unrivaled in lighting quality and efficacy: 90+ CRI and up to 87 lm/w
- Easy to install. Installs 50% faster compared to traditional downlights
- A variety of accessories are available
- High-quality polycarbonate reflector using physical vapor deposition (PVD) technology
- Future-proof modular system
- Installed using aluminum mounting ring with anti-slip spring mechanism for tool-free fitting in ceiling
- Simple click-and-lock mechanism for quick tool-free fitting of luminaire unit
- Suitable for both new construction and retrofit installations

IBEW UNION MADE

DELIVERED LUMENS	COLOR TEMPERATURE	COLOR RENDERING	WATTS	UGR
Up to 1666 lm	2700 K	CRI 90+	8 W	< 19
	3000 K		19 W	
	3500 K			
	4000 K			
Tunable White (2700 K – 6500 K) (MacAdam 3 Step)				



Damp location rated, standard
Available for wet location rating¹

Energy Star listed for 3500K and 4000K models only
8 W variant is IC rated

Order Code

[A]	PANOS	D	3	100	S	6	7	8	9	10	[B]	PANOS	12	100DL	S	15	16	17	18	[C]	19
-----	-------	---	---	-----	---	---	---	---	---	----	-----	-------	----	-------	---	----	----	----	----	-----	----

[A] DOWNLIGHT

- 1 FIXTURE **PANOS**
- 2 TYPE **D** Recessed Downlight
- 3 TRIM TYPE **N** Standard Flange | **F** Flangeless²
- 4 SIZE **100** 3.5" Aperture
- 5 SHAPE **S** Square
- 6 DISTRIBUTION **L** Low Reflector | **H** High Reflector
- 7 WATTAGE **08W** 8 Watts | **19W** 19 Watts
- 8 LED MODULE **927** CRI 90, 2700 K | **930** CRI 90, 3000 K | **935** CRI 90, 3500 K | **940** CRI 90, 4000 K | **900** Tunable White (2700 K– 6500 K)³
- 9 REFLECTOR FINISH **CL** Clear Specular | **CS** Clear Semi-Specular | **MS** Matte Silver | **WH** White | **GD** Gold | **BK** Black
- 10 FLANGE FINISH **W** White | **F** Flangeless

[B] DRIVER

- 11 FIXTURE **PANOS**
- 12 CEILING TYPE **TG** T-Grid Accessible⁴ | **FE** Inaccessible Ceiling
- 13 SIZE **100DL** 3.5" Aperture
- 14 SHAPE **S** Square
- 15 WATTAGE **08W** 8 Watts³ | **19W** 19 Watts
- 16 DRIVER **DA** 0-10 V Dimming Driver, 1% | **DH** Lutron Dimming, 1% | **DD** DALI Dimming, 1% | **TU** Tunable White 0-10 V Dimming Driver, 1% | **TD** Tunable White DALI Dimming, 1%
- 17 VOLTAGE **1** 120 V | **2** 277 V
- 18 OPTIONS **EM** Battery Pack⁵ | **EQ** Earthquake Plate (inaccessible ceiling only; not for retrofit applications)

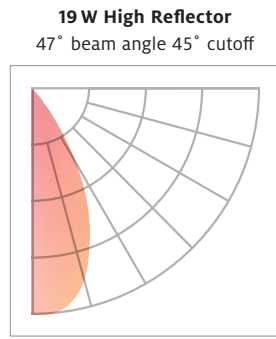
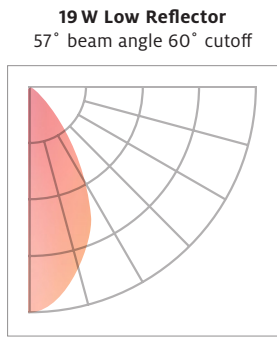
[C] MOUNTING ACCESSORIES

- 19 OPTIONS **11052070** SQ 3.5" Aluminum Mounting Ring Flush/Plaster Ceilings | **11053942** SQ 3.5" Extended Mounting Ring Flush/Plaster Ceilings (CA) | **F0409496** SQ 3.5" Sheetrock Mounting Plate to be Used w /Hanger Bar Install | **U0059500** Hanger Bar Assembly⁶

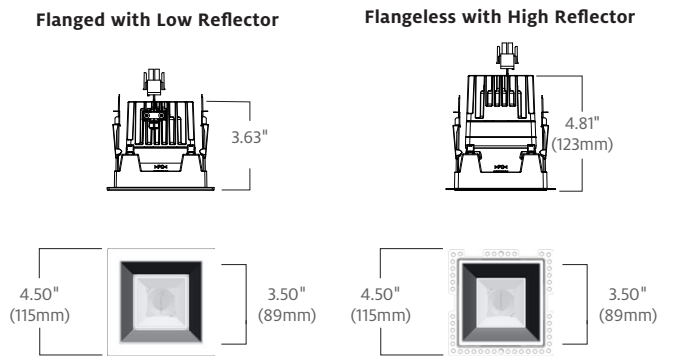
1 Wet location with accessory-flanged models only.
 2 Not available with T-Grid ceiling. For flangeless products, ceiling can be closed prior to unit shipment. All flangeless products require a separate mounting ring accessory.
 3 Must select a Tunable White driver option.
 4 For T-Grid Ceiling tiles larger than 2' x 2', order extension cable E0051101.
 5 EM not available with Earthquake Plate.
 6 F0409496 comes as standard with TG ceiling only, U0059500 hanger bars must always be ordered separately if needed.

We reserve the right to change, without notice, specifications or materials. Supporting documentation found on zumtobel.us are the most recent versions and supersede all other versions that exist in any other printed or electronic form.

Light Distribution



Dimensions (minimum plenum depth: 8.5")



Multipliers

CCT and CRI			Reflector Finish	
CRI	CCT	Multiplier	Finish	Multiplier
90	2700	0.76	Low	CL 0.91
	3000	0.80		CS 0.91
	3500	0.82		MS 0.79
	4000	0.83		WH 1.00
			High	GD 0.96
				CL 0.82
				CS 0.82
				MS 0.65
				WH 1.00
				GD 0.97

— Illuminance at a Distance | 19 W / 90 CRI / 4000 K / Clear Specular Reflector —

Low Reflector: 57° beam angle 60° cutoff **High Reflector: 47° beam angle 45° cutoff**

Center Beam						Center Beam			
D	FC	L	W	D		FC	L	W	
5'	61	4.3'	4.3'	5'	65	3.8'	3.8'		
7.5'	27	6.6'	6.6'	7.5'	29	5.9'	5.9'		
10'	15	8.7'	8.7'	10'	16	7.6'	7.6'		
12.5'	10	10.9'	10.9'	12.5'	10	9.6'	9.6'		
15'	7	13.1'	13.1'	15'	7	11.4'	11.4'		

Lumens: 1529 | LPW: 80 lm/W Lumens: 1406 | LPW: 74 lm/W

Technical Detail

- 1) Driver Module:** 20 gauge galvanized steel. For T-grid ceiling applications, driver module mounts directly on grid. The module includes an enclosure with quick release door for all wiring as well as dual access points for standard or emergency power. For inaccessible ceiling applications, the driver box is slim and it is inserted through the ceiling cut-out.
- 2) Wattage & CCT:** Unit is available in 8 W or 19 W, and in 2700 K, 3000 K, 3500 K, 4000 K and Tunable White (2700 K–6500 K) color temperatures for 90+ CRI. 3-Step MacAdam Ellipse.
- 3) Dimming:** PANOS 3.5" Downlight is available with standard 0-10 V dimming driver (1%), Lutron LDE1 Hi-lume (1%) digital EcoSystem with SoftOn/FadeToBlack or DALI dimming driver (1%). Compatible 0-10 V Dimmers: Lutron DDTV, NTFTV, LEVITON IP710-DLZ, Wattstopper/Legrand ADF-120277, Osram 45561-LC-SL3W-TVWBX/UNV. For non-dimming installations, the standard 0-10 V dimming driver will be provided, and the dimming control wires can simply be capped off at installation.

- 4) Trim/Reflector:** Trim and reflector are made of impact resistant polycarbonate. CL reflector is vacuum metalized for high-specularity and is iridescence free, providing highest efficiency and effective beam distribution. Flangeless is not available with T-Grid ceiling.

- 5) Mounting:**
T-GRID / ACCESSIBLE CEILING:
Rigid mounting brackets on driver module sits on T-Bar. The trim mounting frame is inserted through the aperture and secured by sliding down the clamps. The clamp mechanism can accommodate 1" (25mm) ceiling thickness. Insert the trim through the aperture and click-and-lock into place.

SHEETROCK / INACCESSIBLE CEILING:
Connect driver assembly to main power source. The trim mounting frame is inserted through the aperture and secured by sliding down the clamps.

The clamp mechanism can accommodate 1" (25mm) ceiling thickness. Connect 2-pin connector from driver to the 2-pin connector on the trim.

Push driver assembly through opening in ceiling, follow with trim and click-and-lock into place. Above ceiling access not required for inaccessible ceilings.

Optional hanger bar installation is available and can be ordered separately from the Accessories list.

- 6) Reflector Finish:** Available in Clear Specular, Clear Semi-Specular, Matte Silver, White, and Gold.
- 7) Flange Finish:** Smooth White finish blends well with typical white painted ceilings.
- 8) Life:** 50,000 hours, L85.

9) Weight: 2 lbs.

10) Declare Information:

